

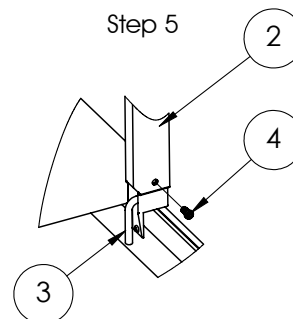
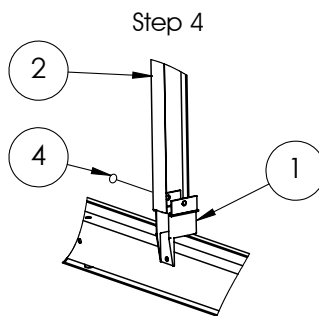
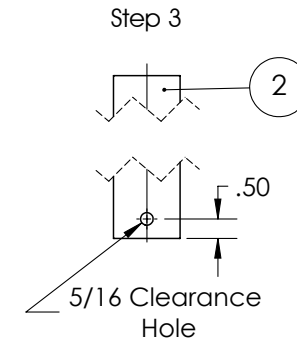
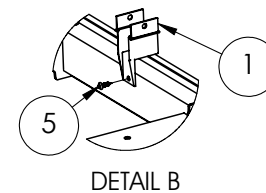
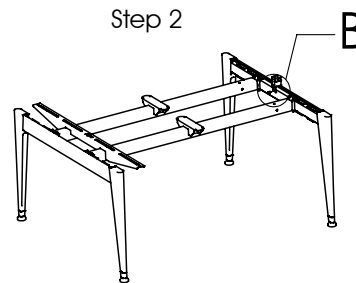
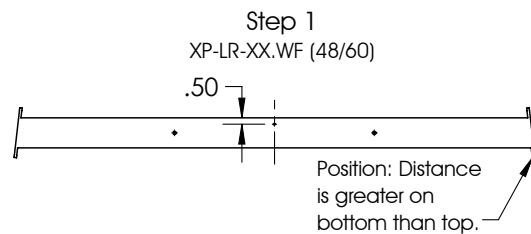
XPAND REACH

XP-C-PEK

POWER POLE ENTRY

INSTALLATION STEPS

1. Use a 1/8" bit to drill a pilot hole into the Leg Rail. Location is centered at 1/2" from the top of the rail.
Note: View position of Leg Rail. You can install on either side however you must have the correct orientation.
2. Install Item #5 through Item #1 into the Leg Rail.
3. Drill a 5/16 **Clearance** Hole on **both** halves of Item #2.
Note: Take Caution as Item #2 is hard plastic and splitting around the hole can cause the installation to be loose.
4. Install half of Item #2 onto Item #1 and secure with Item #4.
Note: Depending on your application, secure the top of Item #2 using best standards. Predrill holes on item #2 to avoid splitting.
5. Run Item #3 down Item #2 and secure with the 2nd half of Item #2 by snapping the halves together. Secure the bottom with another Item #4.



XPAND REACH

XP-C-PEK

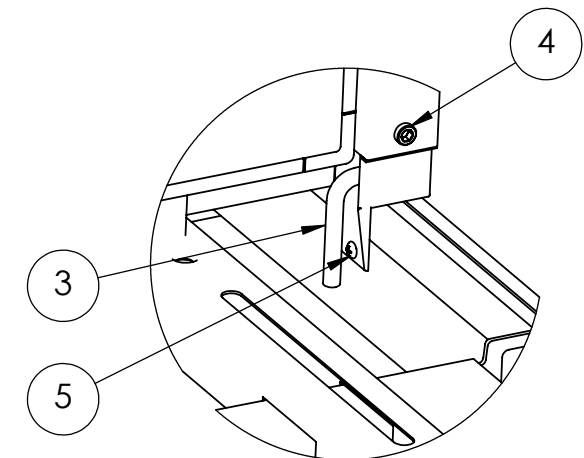
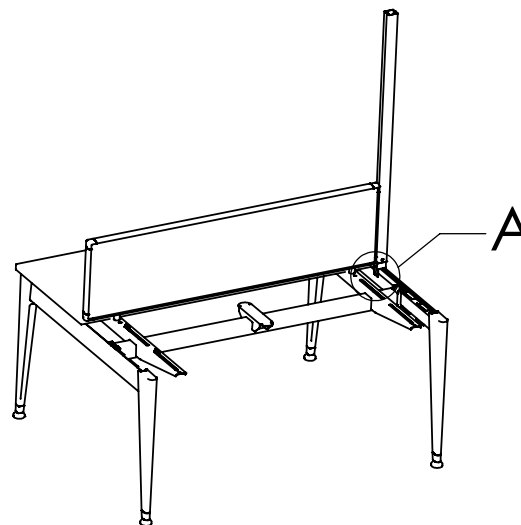
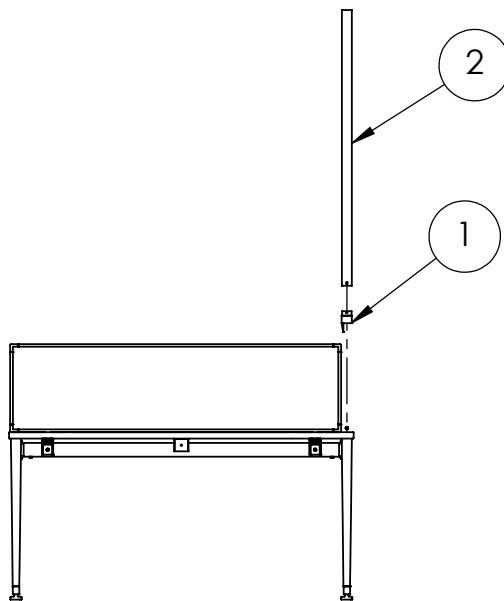
POWER POLE ENTRY- DOUBLE



ITEM NO.	PART NUMBER	DESCRIPTION	QTY
1	XP-PE-CEILING-BKT	Power Pole Bracket, Ceiling Entry	1
2	XP-PE-POLE	Power Pole, Ceiling	1
3	XP-PE-CEILING	8-Wire Power Line Ceiling Feed	1
4	XP-SCREWS	Hardware Screws Skt Hd Cap Screw 5/16-18UNC x 5/16" Lg	2
5	N/A	Screw, Rnd Hd, Ph, #10 x 5/8" Lg	1

NOTES:

1. If adding a power pole to an existing layout, you will need to order the Screen Assembly for Ceiling Entry.
2. You must predrill the Leg Rail to secure Item #1. View Step 1 in the Installation Instructions.



DETAIL A