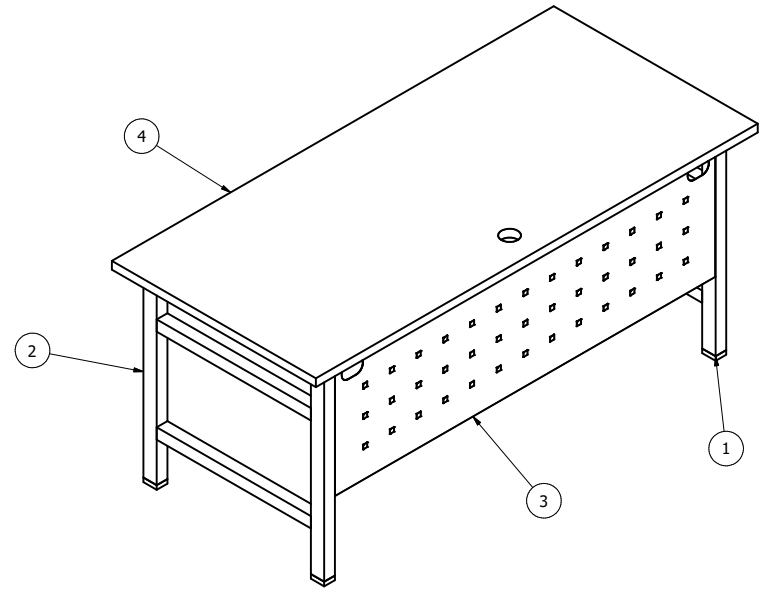
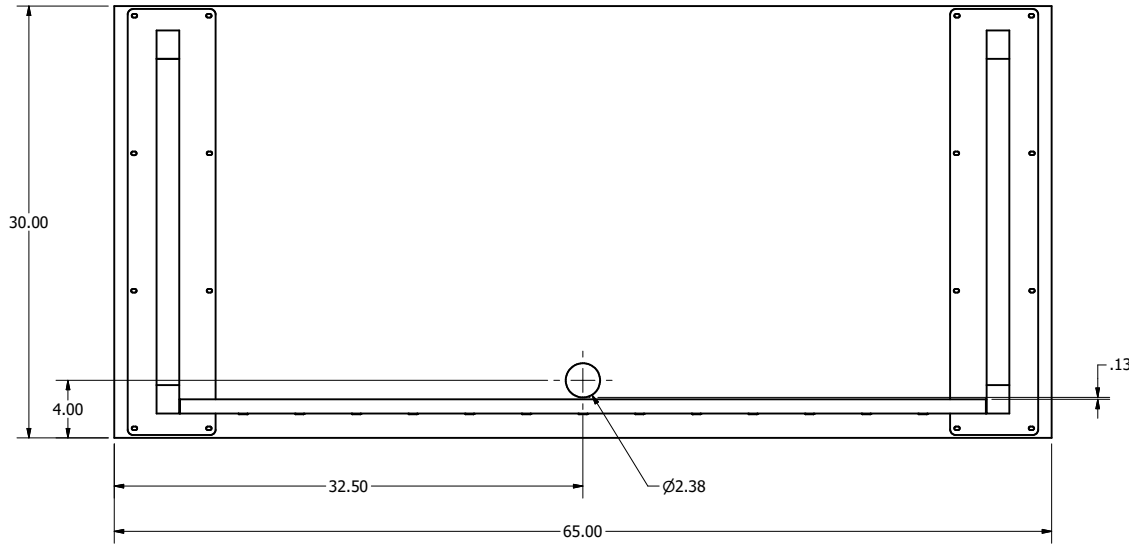


NOTES:
 1. WORKSTATION CONFIGURATION IS USING A 56" METAL MODESTY PANEL.



PARTS LIST			
ITEM	QTY	PART NUMBER	DESCRIPTION
1	1	HLEG30S-ML-L	30" "H" Legs - Left
2	1	HLEG30S-ML-R	30" "H" Legs - Right
3	1	RFP-CD-56	56" Metal Modesty Panel
4	1	6530WS	30" x 65" Work Surface w/ Grommet

Unless otherwise noted, deburr and break all sharp edges. Tolerances: .X ± .063 .XX ± .031 .XXX ± .016 ANGLES ± 1°	DRAWN BY: Stephen Guess	12/8/2025	Open Plan Systems 4700 Deepwater Terminal Rd. Richmond, VA, 23234 P. 844.OP5.OP51 F. 804.275.2329	<small> PROPRIETARY AND CONFIDENTIAL The information contained in this drawing is the sole property of Open Plan Systems, Inc. Its reproduction or distribution, in part or in whole, without the written permission of Open Plan Systems, Inc. is prohibited. </small>
	CHECKED BY:			
	QA APPROVED BY:			
	MFG APPROVED BY:			
	MATERIAL:		DESCRIPTION:	
	FINISH:		30" x 65" w/ HLEG & 56" MMP Work Station	
	SERIES:		SCALE	0.10
	DRAWING STATUS:		SIZE	C
			DWG NO	30 LEG W 56 MOD PANEL
			REV	
			SHEET 1 OF 1	