

GSA PRICE BOOK

2025

EVO 2.5 SYSTEM

Panel Frames4
 Doors5
 Connectors6
 Power9
 Tiles11
 Work Surfaces14
 Components15
 Storage17
 Accessories17

RAZOR SYSTEM

Overview18
 Connectors20
 Components23

POWERED PANELS

Fabric24
 Fabric Tackable26
 Fabric Acoustic27
 Partial Glazed Stackers28
 Partial Glazed Panels32
 Glazed34
 Open Frame35

NON-POWERED PANELS

Fabric36
 Fabric Tackable38
 Fabric Acoustic39
 Partial Glazed Stackers40
 Partial Glazed Panels44
 Glazed46
 Open Frame47

NON POWERED PANELS - NO BASE

Fabric48
 Fabric Tackable50
 Fabric Acoustic51
 Partial Glazed Panels52
 Glazed54
 Open Frame54

STACK PANELS

Fabric55
 Fabric Acoustic55
 Glazed56
 Frosted Glass57
 Marker Board57

MODULAR WALL PANELS (95H+)

Powered Panels - Fabric25
 Powered Panels - Fabric Acoustic27
 Non-Powered Panels - Fabric37
 Non-Powered Panels - Fabric Acoustic39

SCREENS

Screen Mounts58
 Desk/Panel Mounts for 6mm Glass59
 Desk Screen Dividers60
 Desk PGHM Modesty Panel60
 Standard Glass61
 Low Iron Glass62
 Plexiglass63
 12mm PET Material66
 24mm PET Material68
 MDF Fabric Screens69

FREESTANDING SCREENS

Desk Screens70
 53H Screens71
 67H Screens72
 78H Screens73
 Base Options73

POWERED TILE FRAMES

39H Tiles74
 53H Tiles76
 67H Tiles78

NON-POWERED TILE FRAMES

39H Tiles81
 53H Tiles83
 67H Tiles85

TILE SYSTEM

Stackers88
 Connectors88

DOORS

85H Door Unit90
 Sliding Doors for 53H & 67H Panels90
 Sliding Doors for 85H Panels90

CONNECTORS

w/ Base91
 No Base93
 Miscellaneous95
 120°96

POWER

Power Entry97
 Base Power97
 Mid Power for Tile Panels97
 Receptacle Cover98
 Data Poles98

WORK SURFACES

Rectangular99
 Corner Options101
 Extended Corner102
 Extended Curvilinear Corner104
 Cockpit Return106
 Depth Transition107
 C-Shaped107
 Peninsula108
 Conference Peninsula108
 Extended Corner Peninsula109
 Extended Curved Corner Peninsula111
 120°113
 120° Corner114
 120° Extended Corner115
 Counter Caps116
 Support Brackets116
 Single Tables118
 Conference118
 Specialty119
 Lateral File119

TRAINING TABLES

Standard Tops120
 Bases121
 Tops121

TABLE LEGS

Table Bases122
 Support Legs122
 Modesty Panel Compatible Legs124

DESKING COMPONENTS

Storage125
 Table Legs127

XPAND REACH: BENCHING

End Leg Assemblies	128
Leg Assemblies & Connectors	129
Stretcher Bars	130
Rectangular & Return Work Surfaces	131
Return Surfaces (Along Mid Leg)	132
Return Surfaces (Along Stretcher Bar)	135
Conference Base & Specialty Surfaces	135
Fabric Screens	136
Fabric Return Screens	138
Glass Screens	138
Glass Return Screens	139
Wire Management	139

XPAND UP: SIT-STAND BENCHING

Bases	140
Work Surfaces	140
Add-Ons	141
Fabric Screens	141
Screen Accessories	142
Wire Management	143

XPAND SYSTEM

V1 Power	144
V2 Power	145

STORAGE

Overheads	146
Full Pull Pedestals	148
Lateral Files	149
Towers	149

SIT-STANDS - ADJUST BASES

Single Tops	150
Straight Base & Tops	151
Float Leg & Tops	152
90° Base & Tops	153
Extended L Base & Tops	154
90° Float Leg for Extended L Base & Tops	154
Accessories	156

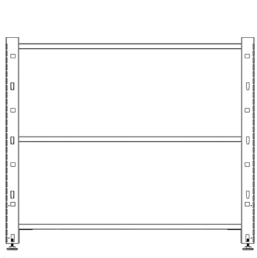
ACCESSORIES

Tack Boards	158
Marker Boards	158
LED Task Lights	158
Desktop Power	159
Universal Power Strip	159
Tablet Arm	160
Keyboard Sets	160
Organizers	161
Wire Management	161

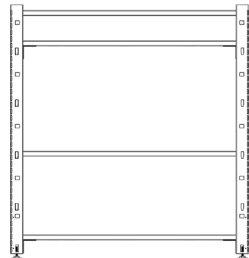
SEATING

Guest	162
Task	162
Spacious	163

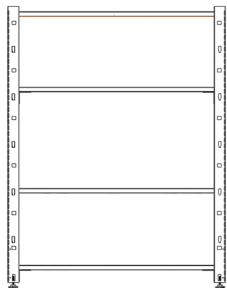
PANEL FRAMES



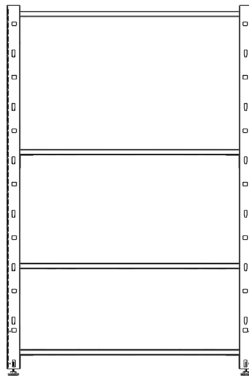
30"H



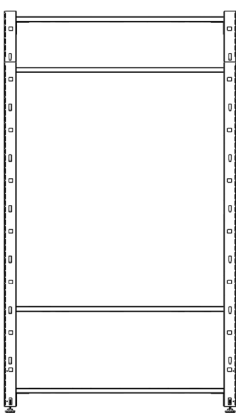
38"H



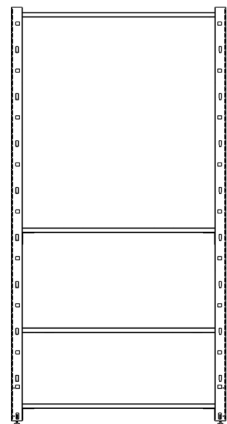
46"H



54"H



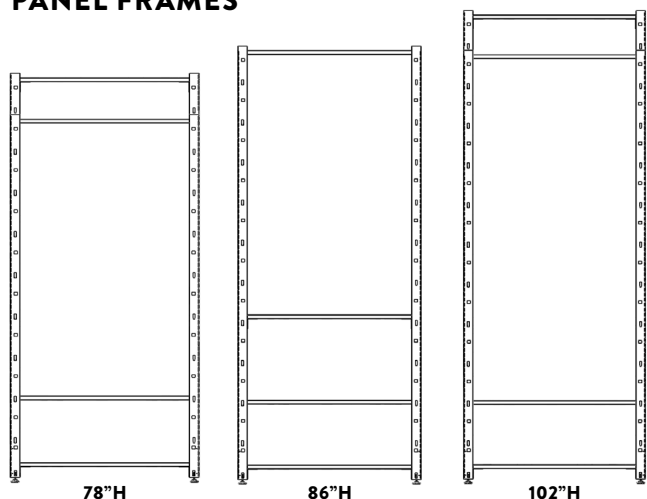
62"H



70"H

	SKU	DESCRIPTION	LIST
30"H	65F-3012	30" H X 12" W Frame	\$285
	65F-3018	30" H X 18" W Frame	\$305
	65F-3024	30" H X 24" W Frame	\$339
	65F-3030	30" H X 30" W Frame	\$369
	65F-3036	30" H X 36" W Frame	\$385
	65F-3042	30" H X 42" W Frame	\$419
	65F-3048	30" H X 48" W Frame	\$459
	65F-3060	30" H X 60" W Frame	\$489
38"H	65F-3812	38" H X 12" W Frame	\$349
	65F-3818	38" H X 18" W Frame	\$375
	65F-3824	38" H X 24" W Frame	\$419
	65F-3830	38" H X 30" W Frame	\$459
	65F-3836	38" H X 36" W Frame	\$479
	65F-3842	38" H X 42" W Frame	\$525
	65F-3848	38" H X 48" W Frame	\$555
	65F-3860	38" H X 60" W Frame	\$629
46"H	65F-4612	46" H X 12" W Frame	\$375
	65F-4618	46" H X 18" W Frame	\$419
	65F-4624	46" H X 24" W Frame	\$449
	65F-4630	46" H X 30" W Frame	\$479
	65F-4636	46" H X 36" W Frame	\$525
	65F-4642	46" H X 42" W Frame	\$545
	65F-4648	46" H X 48" W Frame	\$595
	65F-4660	46" H X 60" W Frame	\$655
54"H	65F-5412	54" H X 12" W Frame	\$419
	65F-5418	54" H X 18" W Frame	\$459
	65F-5424	54" H X 24" W Frame	\$489
	65F-5430	54" H X 30" W Frame	\$535
	65F-5436	54" H X 36" W Frame	\$565
	65F-5442	54" H X 42" W Frame	\$595
	65F-5448	54" H X 48" W Frame	\$645
	65F-5460	54" H X 60" W Frame	\$705
62"H	65F-6212	62" H X 12" W Frame	\$515
	65F-6218	62" H X 18" W Frame	\$545
	65F-6224	62" H X 24" W Frame	\$575
	65F-6230	62" H X 30" W Frame	\$629
	65F-6236	62" H X 36" W Frame	\$655
	65F-6242	62" H X 42" W Frame	\$689
	65F-6248	62" H X 48" W Frame	\$719
	65F-6260	62" H X 60" W Frame	\$805
70"H	65F-7012	70" H X 12" W Frame	\$489
	65F-7018	70" H X 18" W Frame	\$529
	65F-7024	70" H X 24" W Frame	\$565
	65F-7030	70" H X 30" W Frame	\$609
	65F-7036	70" H X 36" W Frame	\$645
	65F-7042	70" H X 42" W Frame	\$675
	65F-7048	70" H X 48" W Frame	\$715
	65F-7060	70" H X 60" W Frame	\$785

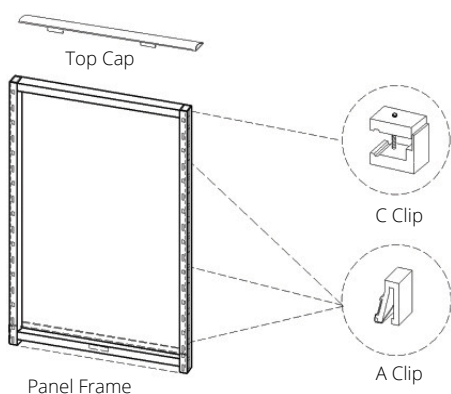
PANEL FRAMES



78"H

86"H

102"H



Panel Frame

A Clip

	SKU	DESCRIPTION	LIST
78"H	65F-7812	78" H X 12" W Frame	\$575
	65F-7818	78" H X 18" W Frame	\$629
	65F-7824	78" H X 24" W Frame	\$655
	65F-7830	78" H X 30" W Frame	\$699
	65F-7836	78" H X 36" W Frame	\$719
	65F-7842	78" H X 42" W Frame	\$769
	65F-7848	78" H X 48" W Frame	\$809
	65F-7860	78" H X 60" W Frame	\$875
86"H	65F-8612	86" H X 12" W Frame	\$575
	65F-8618	86" H X 18" W Frame	\$629
	65F-8624	86" H X 24" W Frame	\$665
	65F-8630	86" H X 30" W Frame	\$705
	65F-8636	86" H X 36" W Frame	\$739
	65F-8642	86" H X 42" W Frame	\$769
	65F-8648	86" H X 48" W Frame	\$815
	65F-8660	86" H X 60" W Frame	\$885
102"H	65F-10212	102" H X 12" W Frame	\$709
	65F-10218	102" H X 18" W Frame	\$739
	65F-10224	102" H X 24" W Frame	\$785
	65F-10230	102" H X 30" W Frame	\$825
	65F-10236	102" H X 36" W Frame	\$949
	65F-10242	102" H X 42" W Frame	\$949
	65F-10248	102" H X 48" W Frame	\$1,009
	65F-10260	102" H X 60" W Frame	\$825

NOTE: 62", 78" and 102" H panel frames come with Bayonet Stack on Units to achieve listed heights.

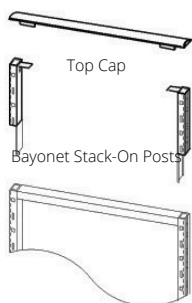
BAYONET STACK ON UNIT



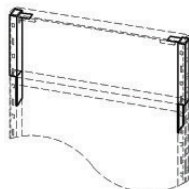
8" unit



16" unit



Bayonet Stack-On Posts



SKU	DESCRIPTION	LIST
65BSA-8	8" Bayonet Stack-On unit	\$119
65BSA-16	16" Bayonet Stack-On unit	\$159

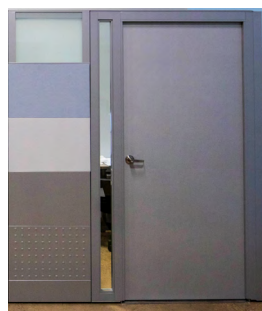
Bayonet Stack-On Units include:
(2) Vertical bayonet frame posts

Utilizes top cap from base panel frame
Tiles must be ordered separately

DOORS



Sliding 85H Door
(Frosted Shown)



Standard 85H Door

SKU	DESCRIPTION	LIST
65-DOORPNL85L	85h Door Unit 48"W w/Lite- Left	\$4,169
65-DOORPNL85R	85h Door Unit 48"W w/Lite- Right	\$4,169

SKU	DESCRIPTION	LIST
65-SLIDING-DOOR85	85h Sliding Door with Glass 36"W	\$6,805
65-SLIDING-DOOR85.F	85h Sliding Door with Frosted Glass 36"W	\$6,805

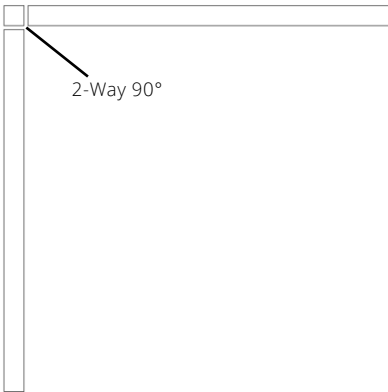
Frame available in BU, HF, LT, MS, MT and WF finishes.

CONNECTORS

Most connectors add extra inches on to a panel run. This must be taken into consideration when space is limited or when opposite panels are to be of equal lengths.

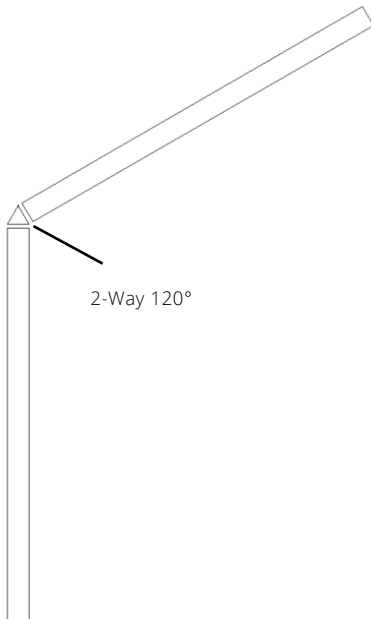
CONNECTOR	DIMENSIONAL GAIN (PER CONNECTION OR FINISHED END)
65 2-Way 90 Connector	2.56"
65 3-Way 90 Connector	2.56"
65 4-Way 90 Connector	2.56"
65 Spacer	2.56"
65 Panel to Panel	None
65 Wall Start	1.5"
65 End Cap	.35"

2-WAY 90° CONNECTORS



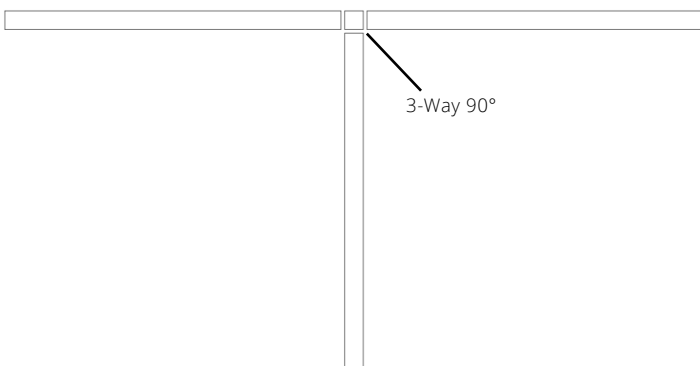
SKU	DESCRIPTION	LIST
65C2-30	30"H 2-Way 90° Connector Post	\$129
65C2-38	38"H 2-Way 90° Connector Post	\$159
65C2-46	46"H 2-Way 90° Connector Post	\$179
65C2-54	54"H 2-Way 90° Connector Post	\$205
65C2-62	62"H 2-Way 90° Connector Post	\$265
65C2-70	70"H 2-Way 90° Connector Post	\$275
65C2-78	78"H 2-Way 90° Connector Post	\$285
65C2-86	86"H 2-Way 90° Connector Post	\$349
65C2-102	102"H 2-Way 90° Connector Post	\$369

2-WAY 120° CONNECTORS



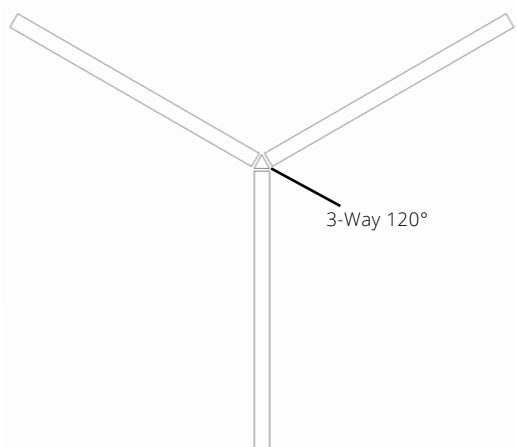
SKU	DESCRIPTION	LIST
65C2-120-30	30"H 2-Way 120° Connector Post	\$129
65C2-120-36	38"H 2-Way 120° Connector Post	\$159
65C2-120-46	46"H 2-Way 120° Connector Post	\$179
65C2-120-54	54"H 2-Way 120° Connector Post	\$205
65C2-120-62	62"H 2-Way 120° Connector Post	\$255
65C2-120-70	70"H 2-Way 120° Connector Post	\$275
65C2-120-78	78"H 2-Way 120° Connector Post	\$285
65C2-120-86	86"H 2-Way 120° Connector Post	\$365
65C2-120-102	102"H 2-Way 120° Connector Post	\$385

3-WAY 90° CONNECTORS



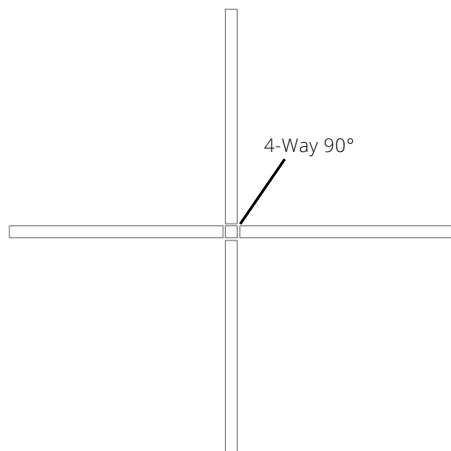
SKU	DESCRIPTION	LIST
65C3-30	30"H 3-Way 90° Connector Post	\$129
65C3-38	38"H 3-Way 90° Connector Post	\$159
65C3-46	46"H 3-Way 90° Connector Post	\$179
65C3-54	54"H 3-Way 90° Connector Post	\$205
65C3-62	62"H 3-Way 90° Connector Post	\$265
65C3-70	70"H 3-Way 90° Connector Post	\$275
65C3-78	78"H 3-Way 90° Connector Post	\$285
65C3-86	86"H 3-Way 90° Connector Post	\$365
65C3-102	102"H 3-Way 90° Connector Post	\$375

3-WAY 120° CONNECTORS



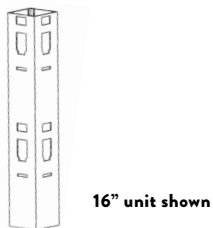
SKU	DESCRIPTION	LIST
65C3-120-30	30"H 3-Way 120° Connector Post	\$129
65C3-120-36	38"H 3-Way 120° Connector Post	\$159
65C3-120-46	46"H 3-Way 120° Connector Post	\$185
65C3-120-54	54"H 3-Way 120° Connector Post	\$235
65C3-120-62	62"H 3-Way 120° Connector Post	\$275
65C3-120-70	70"H 3-Way 120° Connector Post	\$285
65C3-120-78	78"H 3-Way 120° Connector Post	\$305
65C3-120-86	86"H 3-Way 120° Connector Post	\$375
65C3-120-102	102"H 3-Way 120° Connector Post	\$399

4-WAY 90° CONNECTORS



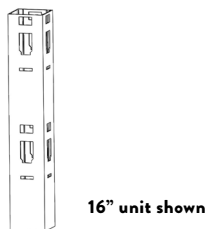
SKU	DESCRIPTION	LIST
65C4-30	30"H 4-Way 90° Connector Post	\$145
65C4-38	38"H 4-Way 90° Connector Post	\$169
65C4-46	46"H 4-Way 90° Connector Post	\$205
65C4-54	54"H 4-Way 90° Connector Post	\$255
65C4-62	62"H 4-Way 90° Connector Post	\$275
65C4-70	70"H 4-Way 90° Connector Post	\$325
65C4-78	78"H 4-Way 90° Connector Post	\$339
65C4-86	86"H 4-Way 90° Connector Post	\$435
65C4-102	102"H 4-Way 90° Connector Post	\$459

2-WAY STACK ON CONNECTORS



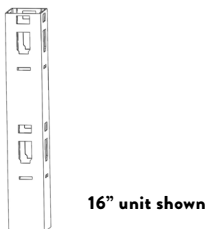
SKU	DESCRIPTION	LIST
65C2BSA-08	2-Way Stack On Connector 8"	\$82
65C2BSA-16	2-Way Stack On Connector 16"	\$109

3-WAY STACK ON CONNECTORS



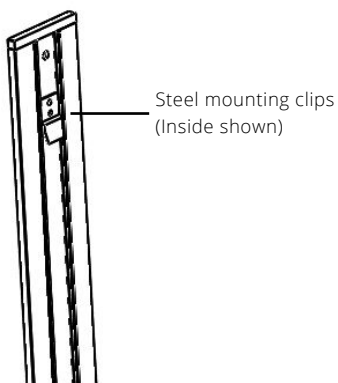
SKU	DESCRIPTION	LIST
65C3BSA-08	3-Way Stack On Connector 8"	\$82
65C3BSA-16	3-Way Stack On Connector 16"	\$109

4-WAY STACK ON CONNECTORS



SKU	DESCRIPTION	LIST
65C4BSA-08	4-Way Stack On Connector 8"	\$82
65C4BSA-16	4-Way Stack On Connector 16"	\$115

FINISHED END CAPS

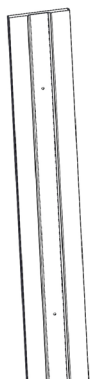


SKU	DESCRIPTION	LIST
65FE-30	30"H Finished End	\$49
65FE-38	38"H Finished End	\$54
65FE-46	46"H Finished End	\$65
65FE-54	54"H Finished End	\$71
65FE-62	62"H Finished End	\$82
65FE-70	70"H Finished End	\$82
65FE-78	78"H Finished End	\$93
65FE-86	86"H Finished End	\$115
65FE-102	102"H Finished End	\$119

Finished End Caps include:

Molded plastic top cap trim, steel mounting clips

HI/LOW FINISHED END CAPS

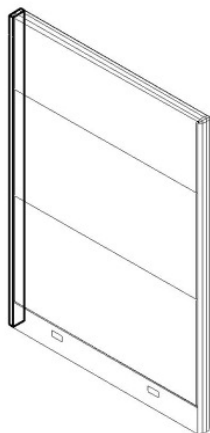


SKU	DESCRIPTION	LIST
65HLFE-8	Hi/Lo Finished End 8"H	\$28
65HLFE-16	Hi/Lo Finished End 16"H	\$38
65HLFE-24	Hi/Lo Finished End 24"H	\$42
65HLFE-32	Hi/Lo Finished End 32"H	\$49
65HLFE-40	Hi/Lo Finished End 40"H	\$65
65HLFE-48	Hi/Lo Finished End 48"H	\$71
65HLFE-56	Hi/Lo Finished End 56"H	\$82

Hi/Low Finished End Caps include:

Molded plastic top cap trim, bottom curved rubber trim, steel mounting clips.

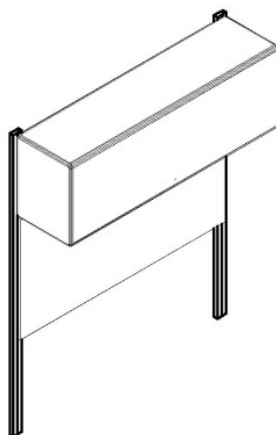
WALL STARTERS



SKU	DESCRIPTION	LIST
65TF-WS30	Wall Starter 30"H	\$75
65TF-WS38	Wall Starter 38"H	\$93
65TF-WS46	Wall Starter 46"H	\$115
65TF-WS54	Wall Starter 54"H	\$129
65TF-WS62	Wall Starter 62"H	\$159
65TF-WS70	Wall Starter 70"H	\$169
65TF-WS78	Wall Starter 78"H	\$189
65TF-WS86	Wall Starter 86"H	\$205
65TF-WS102	Wall Starter 102"H	\$245

NOTE: Hardware to attach wall starter to wall is not included. Hardware and screws to attach wall starter is determined by the type of fixed wall the wall starter is attaching to.

WALL TRACKS



SKU	DESCRIPTION	LIST
65TF-WT70	Wall Track 70"	\$119
65TF-WT102	Wall Track 102"	\$169

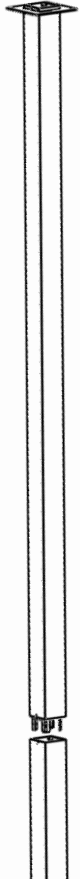
NOTES: Wall track is 1" depth. Vertical mounting slots are incremental at 1" centers. Wall tracks may not be shared between storage units or tackboards and require two tracks to mount.

Hardware to attach wall track to wall is not included. Hardware and screws to attach wall track is determined by the type of fixed wall the wall track is attaching to.

POWER ENTRY

SKU	DESCRIPTION	LIST
65P-PEK414V1	4 Circuit Ceiling Power Infeed Universal Wire 13'/flex 6.5'	\$719
65P-PEK414V1-16	4 Circuit Ceiling Power Infeed Universal Wire 16'/flex 15'	\$849
65P-PEK4V2	4 Circuit Base Power Entry Kit Universal Outlet Connection	\$719
65P-PEK4V2-12	4 Circuit Base Power Entry Kit Universal Outlet Connection	\$849

DATA POLE



SKU	DESCRIPTION	LIST
65-PP-144	Data Pole for Ceiling, two 72"H w/ plates	\$629

NOTE: Ceiling poles must be field cut to appropriate lengths.

POWER HARNESS - V1



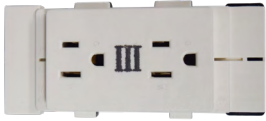
SKU	DESCRIPTION	LIST
65P-PWR12V1	12" POWER HARNESS - V1	\$179
65P-PWR18V1	18" POWER HARNESS - V1	\$185
65P-PWR24V1	24" POWER HARNESS - V1	\$205
65P-PWR30V1	30" POWER HARNESS - V1	\$245
65P-PWR36V1	36" POWER HARNESS - V1	\$285
65P-PWR42V1	42" POWER HARNESS - V1	\$349
65P-PWR48V1	48" POWER HARNESS - V1	\$399
65P-PWR60V1	60" POWER HARNESS - V1	\$489

POWER FESTOONS



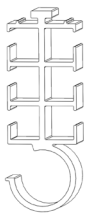
SKU	DESCRIPTION	LIST
65P-PTP	18.5" Power Festoon PTP Connection	\$119
65P-PTC	20.5" Power Festoon PTP Connection	\$115
65P-BL-ML	65 Base Line - Belt Line Connector	\$235

DUPLEX RECEPTACLES



SKU	DESCRIPTION	LIST
65P-R-I.BU	Receptacle Circuit 1 - BU	\$54
65P-R-II.BU	Receptacle Circuit 2 - BU	\$54
65P-R-III.BU	Receptacle Circuit 3 - BU	\$54
65P-R-IV.BU	Receptacle Circuit 4 - BU	\$54
65P-R-I.HF	Receptacle Circuit 1 - HF	\$54
65P-R-II.HF	Receptacle Circuit 2 - HF	\$54
65P-R-III.HF	Receptacle Circuit 3 - HF	\$54
65P-R-IV.HF	Receptacle Circuit 4 - HF	\$54
65P-R-I.MS	Receptacle Circuit 1 - MS	\$54
65P-R-II.MS	Receptacle Circuit 2 - MS	\$54
65P-R-III.MS	Receptacle Circuit 3 - MS	\$54
65P-R-IV.MS	Receptacle Circuit 4 - MS	\$54
65P-R-I.WF	Receptacle Circuit 1 - WF	\$54
65P-R-II.WF	Receptacle Circuit 2 - WF	\$54
65P-R-III.WF	Receptacle Circuit 3 - WF	\$54
65P-R-IV.WF	Receptacle Circuit 4 - WF	\$54
65P-RECOPCOVDATA	Receptacle Data Cover	\$5

WIRE MANAGEMENT



SKU	DESCRIPTION	LIST
65TF-WM.BU	Wire manager (black)	\$5

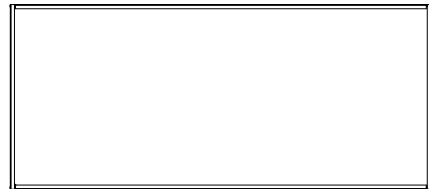
FABRIC TACKABLE ACOUSTICAL/ LAMINATE TILES

NOTE: For laminate tiles, change Fabric Tackable Acoustic SKU from "TA" to "LA". Laminate and Tackable tiles are priced the same. 60"W tiles are not available in laminate finishes.

Example: 65LA-0812 for 8"H x 12W Laminate Tile



8"H



16"H



32"H

METAL TILES



8"H



16"H

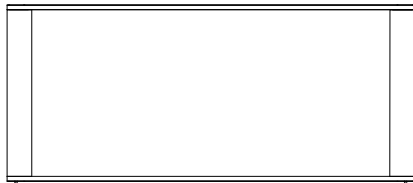


22"H

	SKU	DESCRIPTION	LIST
8"H	65TA-0812	8"HX12"W Tackable Acoustical Tile Frame	\$109
	65TA-0818	8"HX18"W Tackable Acoustical Tile Frame	\$109
	65TA-0824	8"HX24"W Tackable Acoustical Tile Frame	\$129
	65TA-0830	8"HX30"W Tackable Acoustical Tile Frame	\$159
	65TA-0836	8"HX36"W Tackable Acoustical Tile Frame	\$159
	65TA-0842	8"HX42"W Tackable Acoustical Tile Frame	\$169
	65TA-0848	8"HX48"W Tackable Acoustical Tile Frame	\$185
	65TA-0860	8"HX60"W Tackable Acoustical Tile Frame	\$205
16"H	65TA-1612	16"HX12"W Tackable Acoustical Tile Frame	\$109
	65TA-1618	16"HX18"W Tackable Acoustical Tile Frame	\$115
	65TA-1624	16"HX24"W Tackable Acoustical Tile Frame	\$115
	65TA-1630	16"HX30"W Tackable Acoustical Tile Frame	\$145
	65TA-1636	16"HX36"W Tackable Acoustical Tile Frame	\$159
	65TA-1642	16"HX42"W Tackable Acoustical Tile Frame	\$159
	65TA-1648	16"HX48"W Tackable Acoustical Tile Frame	\$185
	65TA-1660	16"HX60"W Tackable Acoustical Tile Frame	\$205
32"H	65TA-3212	32"HX12"W Tackable Acoustical Tile Frame	\$159
	65TA-3218	32"HX18"W Tackable Acoustical Tile Frame	\$159
	65TA-3224	32"HX24"W Tackable Acoustical Tile Frame	\$179
	65TA-3230	32"HX30"W Tackable Acoustical Tile Frame	\$195
	65TA-3236	32"HX36"W Tackable Acoustical Tile Frame	\$235
	65TA-3242	32"HX42"W Tackable Acoustical Tile Frame	\$245
	65TA-3248	32"HX48"W Tackable Acoustical Tile Frame	\$305
	65TA-3260	32"HX60"W Tackable Acoustical Tile Frame	\$305
8"H	65MT-0812	8"H X 12"W Metal Tile	\$38
	65MT-0818	8"H X 18"W Metal Tile	\$42
	65MT-0824	8"H X 24"W Metal Tile	\$49
	65MT-0830	8"H X 30"W Metal Tile	\$54
	65MT-0836	8"H X 36"W Metal Tile	\$65
	65MT-0842	8"H X 42"W Metal Tile	\$75
	65MT-0848	8"H X 48"W Metal Tile	\$97
	65MT-0860	8"H X 60"W Metal Tile	\$119
16"H	65MT-1612	16"HX12"W Metal Tile	\$49
	65MT-1618	16"HX18"W Metal Tile	\$54
	65MT-1624	16"HX24"W Metal Tile	\$71
	65MT-1630	16"HX30"W Metal Tile	\$82
	65MT-1636	16"HX36"W Metal Tile	\$97
	65MT-1642	16"HX42"W Metal Tile	\$115
	65MT-1648	16"HX48"W Metal Tile	\$145
	65MT-1660	16"HX60"W Metal Tile	\$169
22"H	65MT-2212	22"HX12"W Metal Tile	\$65
	65MT-2218	22"HX18"W Metal Tile	\$75
	65MT-2224	22"HX24"W Metal Tile	\$93
	65MT-2230	22"HX30"W Metal Tile	\$115
	65MT-2236	22"HX36"W Metal Tile	\$129
	65MT-2242	22"HX42"W Metal Tile	\$159
	65MT-2248	22"HX48"W Metal Tile	\$179
	65MT-2260	22"HX60"W Metal Tile	\$235

NOTE: 22H tiles are only available as bottom tiles

GLASS TILES - CLEAR

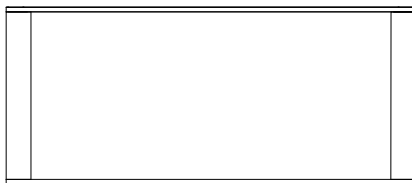


16”H Top

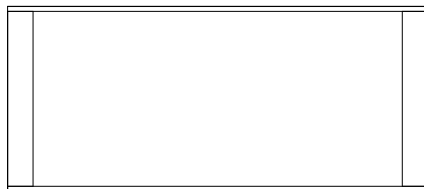


16” Middle

GLASS TILES - FROSTED

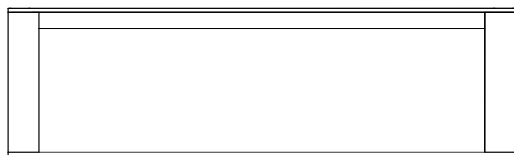


16”H Top



16”H Middle

OPEN FRAME TILES



16”H Top



16”H Middle

	SKU	DESCRIPTION	LIST
16”H TOP	65GT-1612C	16"HX12"W Glass Tiles, Top, Clear Glass	\$145
	65GT-1618C	16"HX18"W Glass Tiles, Top, Clear Glass	\$169
	65GT-1624C	16"HX24"W Glass Tiles, Top, Clear Glass	\$195
	65GT-1630C	16"HX30"W Glass Tiles, Top, Clear Glass	\$235
	65GT-1636C	16"HX36"W Glass Tiles, Top, Clear Glass	\$235
	65GT-1642C	16"HX42"W Glass Tiles, Top, Clear Glass	\$285
	65GT-1648C	16"HX48"W Glass Tiles, Top, Clear Glass	\$325
	65GT-1660C	16"HX60"W Glass Tiles, Top, Clear Glass	\$419

16”H MIDDLE	65GM-1612C	16"HX12"W Glass Tiles, Mid, Clear Glass	\$145
	65GM-1618C	16"HX18"W Glass Tiles, Mid, Clear Glass	\$159
	65GM-1624C	16"HX24"W Glass Tiles, Mid, Clear Glass	\$169
	65GM-1630C	16"HX30"W Glass Tiles, Mid, Clear Glass	\$195
	65GM-1636C	16"HX36"W Glass Tiles, Mid, Clear Glass	\$235
	65GM-1642C	16"HX42"W Glass Tiles, Mid, Clear Glass	\$255
	65GM-1648C	16"HX48"W Glass Tiles, Mid, Clear Glass	\$285
	65GM-1660C	16"HX60"W Glass Tiles, Mid, Clear Glass	\$339

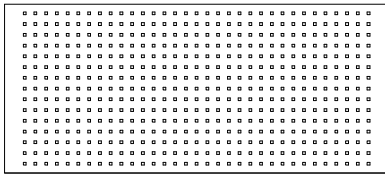
	SKU	DESCRIPTION	LIST
16”H TOP	65GT-1612F	16"HX12"W Glass Tiles, Top, Frosted Glass	\$145
	65GT-1618F	16"HX18"W Glass Tiles, Top, Frosted Glass	\$179
	65GT-1624F	16"HX24"W Glass Tiles, Top, Frosted Glass	\$195
	65GT-1630F	16"HX30"W Glass Tiles, Top, Frosted Glass	\$245
	65GT-1636F	16"HX36"W Glass Tiles, Top, Frosted Glass	\$275
	65GT-1642F	16"HX42"W Glass Tiles, Top, Frosted Glass	\$305
	65GT-1648F	16"HX48"W Glass Tiles, Top, Frosted Glass	\$339
	65GT-1660F	16"HX60"W Glass Tiles, Top, Frosted Glass	\$419

16”H MIDDLE	65GM-1612F	16"HX12"W Glass Tiles, Mid, Frosted Glass	\$145
	65GM-1618F	16"HX18"W Glass Tiles, Mid, Frosted Glass	\$159
	65GM-1624F	16"HX24"W Glass Tiles, Mid, Frosted Glass	\$179
	65GM-1630F	16"HX30"W Glass Tiles, Mid, Frosted Glass	\$195
	65GM-1636F	16"HX36"W Glass Tiles, Mid, Frosted Glass	\$235
	65GM-1642F	16"HX42"W Glass Tiles, Mid, Frosted Glass	\$265
	65GM-1648F	16"HX48"W Glass Tiles, Mid, Frosted Glass	\$285
	65GM-1660F	16"HX60"W Glass Tiles, Mid, Frosted Glass	\$339

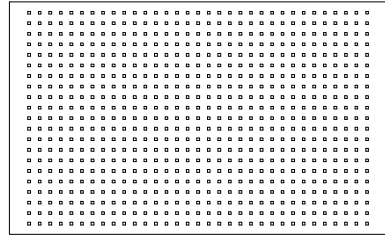
	SKU	DESCRIPTION	LIST
16”H TOP	65OT-1612	16"HX12"W Open Frame Tiles, Top	\$129
	65OT-1618	16"HX18"W Open Frame Tiles, Top	\$159
	65OT-1624	16"HX24"W Open Frame Tiles, Top	\$169
	65OT-1630	16"HX30"W Open Frame Tiles, Top	\$195
	65OT-1636	16"HX36"W Open Frame Tiles, Top	\$235
	65OT-1642	16"HX42"W Open Frame Tiles, Top	\$255
	65OT-1648	16"HX48"W Open Frame Tiles, Top	\$285
	65OT-1660	16"HX60"W Open Frame Tiles, Top	\$325

16”H MIDDLE	65OM-1612	16"HX12"W Open Frame Tiles, Middle	\$115
	65OM-1618	16"HX18"W Open Frame Tiles, Middle	\$129
	65OM-1624	16"HX24"W Open Frame Tiles, Middle	\$159
	65OM-1630	16"HX30"W Open Frame Tiles, Middle	\$169
	65OM-1636	16"HX36"W Open Frame Tiles, Middle	\$179
	65OM-1642	16"HX42"W Open Frame Tiles, Middle	\$195
	65OM-1648	16"HX48"W Open Frame Tiles, Middle	\$235
	65OM-1660	16"HX60"W Open Frame Tiles, Middle	\$265

PERFORATED AIR FLOW TILES

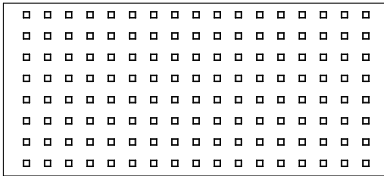


16"H

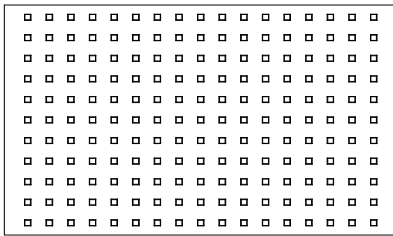


22"H

EMBOSSED METAL TILES (SQUARES)

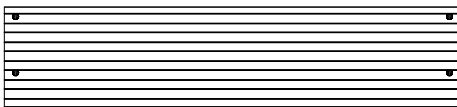


16"H



22"H

ACCESSORY RAIL TILES



BELTLINE POWER TILES



69	SKU	DESCRIPTION	LIST
16"H	65AFT-1612	16"HX12"W Perforated Air Flow	\$54
	65AFT-1618	16"HX18"W Perforated Air Flow	\$71
	65AFT-1624	16"HX24"W Perforated Air Flow	\$93
	65AFT-1630	16"HX30"W Perforated Air Flow	\$109
	65AFT-1636	16"HX36"W Perforated Air Flow	\$119
	65AFT-1642	16"HX42"W Perforated Air Flow	\$145
	65AFT-1648	16"HX48"W Perforated Air Flow	\$179
	65AFT-1660	16"HX60"W Perforated Air Flow	\$205
22"H	65AFT-2212	22"HX12"W Perforated Air Flow	\$71
	65AFT-2218	22"HX18"W Perforated Air Flow	\$93
	65AFT-2224	22"HX24"W Perforated Air Flow	\$115
	65AFT-2230	22"HX30"W Perforated Air Flow	\$145
	65AFT-2236	22"HX36"W Perforated Air Flow	\$169
	65AFT-2242	22"HX42"W Perforated Air Flow	\$185
	65AFT-2248	22"HX48"W Perforated Air Flow	\$235
	65AFT-2260	22"HX60"W Perforated Air Flow	\$285

NOTE: 22H tiles are only available as bottom tiles

	SKU	DESCRIPTION	LIST
16"H	65EMTS-1612	16"HX12"W Embossed Metal (Squares)	\$65
	65EMTS-1618	16"HX18"W Embossed Metal (Squares)	\$75
	65EMTS-1624	16"HX24"W Embossed Metal (Squares)	\$93
	65EMTS-1630	16"HX30"W Embossed Metal (Squares)	\$115
	65EMTS-1636	16"HX36"W Embossed Metal (Squares)	\$129
	65EMTS-1642	16"HX42"W Embossed Metal (Squares)	\$155
	65EMTS-1648	16"HX48"W Embossed Metal (Squares)	\$179
	65EMTS-1660	16"HX60"W Embossed Metal (Squares)	\$235
22"H	65EMTS-2212	22"HX12"W Embossed Metal (Squares)	\$82
	65EMTS-2218	22"HX18"W Embossed Metal (Squares)	\$109
	65EMTS-2224	22"HX24"W Embossed Metal (Squares)	\$129
	65EMTS-2230	22"HX30"W Embossed Metal (Squares)	\$155
	65EMTS-2236	22"HX36"W Embossed Metal (Squares)	\$169
	65EMTS-2242	22"HX42"W Embossed Metal (Squares)	\$195
	65EMTS-2248	22"HX48"W Embossed Metal (Squares)	\$235
	65EMTS-2260	22"HX60"W Embossed Metal (Squares)	\$285

NOTE: 22H tiles are only available as bottom tiles

	SKU	DESCRIPTION	LIST
8"H	65AHT-0812	8"HX12"W Accessory Hanging Tile	\$115
	65AHT-0818	8"HX18"W Accessory Hanging Tile	\$159
	65AHT-0824	8"HX24"W Accessory Hanging Tile	\$185
	65AHT-0830	8"HX30"W Accessory Hanging Tile	\$235
	65AHT-0836	8"HX36"W Accessory Hanging Tile	\$265
	65AHT-0842	8"HX42"W Accessory Hanging Tile	\$295
	65AHT-0848	8"HX48"W Accessory Hanging Tile	\$339
	65AHT-0860	8"HX60"W Accessory Hanging Tile	\$435

	SKU	DESCRIPTION	LIST
8"H MIDDLE	65PMT-0824	Power Metal Tile 24" Middle position w/ knockouts	\$54
	65PMT-0830	Power Metal Tile 30" Middle position w/ knockouts	\$71
	65PMT-0836	Power Metal Tile 36" Middle position w/ knockouts	\$75
	65PMT-0842	Power Metal Tile 42" Middle position w/ knockouts	\$82
	65PMT-0848	Power Metal Tile 48" Middle position w/ knockouts	\$115
	65PMT-0860	Power Metal Tile 60" Middle position w/ knockouts	\$145

ORDERING A WORK SURFACE FOR EVO 2.5

When ordering a work surface for a Evo 2.5 workstation, add "65-" to the start of the part number.

Example: If specifying a 30x46 Rectangular Work Surface with standard SKU: WS3046, add "65-" to the start of the SKU for **65-WS3046**.

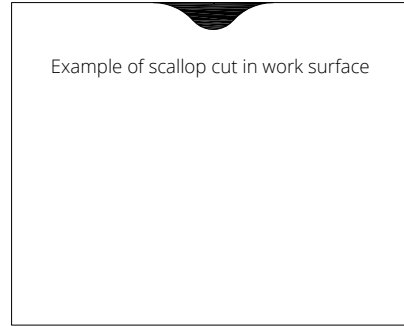
The below surfaces require "65-" to be added to the start of its SKU:

WORK SURFACE TYPE	PAGE
Rectangular	99
Corner	101
Corner Wedge	101
Extended Corner	102
Extended Curvilinear Corner	104
Depth Transition Corner	107
Depth Transition Curvilinear Corner	107
C-Shaped	107
Peninsula	107
Conference Peninsula	108
Extended Corner Peninsula	109
Extended Curved Corner Peninsulas	111
120 Deg	113
120 Deg Corner	114
120 Deg Extended Corner	115
Quarter Round (Inside/Outside)	119

NOTE: If a work surface is not referenced above, "65-" does not have to be added to its SKU.

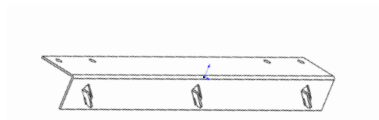
WHY SCALLOPS ARE INCLUDED WITH WORK SURFACES

Due to distance between panel frames and work surfaces in Evo 2.5, scallop cuts are automatically added to work surfaces to provide support for mounting accessories and cable management.



For more information on how scallop cuts are added to work surfaces, view our Specification Guide at www.openplan.com/evo-2-5-system.

SHARED CANTILEVER BRACKET



SKU	DESCRIPTION	LIST
65TF-0015P	Shared Cantilever Bracket	\$28

CORNER BRACKET



Corner Bracket (Left)

Corner Bracket (Right)

SKU	DESCRIPTION	LIST
65TF-CSB-L	Work surface Corner Bracket-Left	\$16
65TF-CSB-R	Work surface Corner Bracket-Right	\$16

SUPPORT LEGS



P-LEG DESCRIPTION

P-Legs are handed left and right and can be used to support 24" and 30" depth work surfaces. However, all P-Legs must attach to a panel as they cannot be used for free standing support.



WORK SURFACE SUPPORT PANEL

DESCRIPTION

Attach to work surfaces with a bracket. Can be added to the exposed end of a work surface for extra support, privacy, aesthetics. 24"D surfaces use WSSP24 and 30"D surfaces use WSSP30.

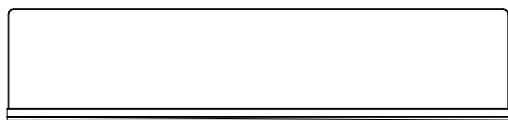
SKU	DESCRIPTION	LIST
PLEGL	P-Leg for 24"D Surface - Left	\$469
PLEGR	P-Leg for 24"D Surface - Right	\$469
PLEG30L	P-Leg for 30"D Surface- Left	\$565
PLEG30R	P-Leg for 30"D Surface- Right	\$565

NOTE: P-Leg must attach to a panel frame

SKU	DESCRIPTION	LIST
WSSP24	24" Work Surface Support Panel	\$459
WSSP30	30" Work Surface Support Panel	\$505

NOTE: Cannot be used on Wall Track.

FRAMELESS GLASS TOP ASSEMBLIES CLEAR



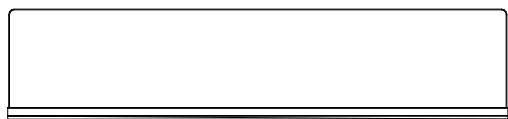
8"H



16"H

	SKU	DESCRIPTION	LIST
8"H	65FGA-12-8H.C	Frameless Glass Top Assembly 12w x 8h Clear	\$185
	65FGA-18-8H.C	Frameless Glass Top Assembly 18w x 8h Clear	\$205
	65FGA-24-8H.C	Frameless Glass Top Assembly 24w x 8h Clear	\$275
	65FGA-30-8H.C	Frameless Glass Top Assembly 30w x 8h Clear	\$305
	65FGA-36-8H.C	Frameless Glass Top Assembly 36w x 8h Clear	\$339
	65FGA-42-8H.C	Frameless Glass Top Assembly 42w x 8h Clear	\$385
	65FGA-48-8H.C	Frameless Glass Top Assembly 48w x 8h Clear	\$439
	65FGA-60-8H.C	Frameless Glass Top Assembly 60w x 8h Clear	\$515
16"H	65FGA-12-16H.C	Frameless Glass Top Assembly 12w x 16h Clear	\$205
	65FGA-18-16H.C	Frameless Glass Top Assembly 18w x 16h Clear	\$265
	65FGA-24-16H.C	Frameless Glass Top Assembly 24w x 16h Clear	\$315
	65FGA-30-16H.C	Frameless Glass Top Assembly 30w x 16h Clear	\$365
	65FGA-36-16H.C	Frameless Glass Top Assembly 36w x 16h Clear	\$399
	65FGA-42-16H.C	Frameless Glass Top Assembly 42w x 16h Clear	\$459
	65FGA-48-16H.C	Frameless Glass Top Assembly 48w x 16h Clear	\$515
	65FGA-60-16H.C	Frameless Glass Top Assembly 60w x 16h Clear	\$619

FRAMELESS GLASS TOP ASSEMBLIES FROSTED



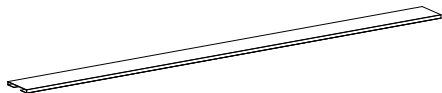
8"H



16"H

	SKU	DESCRIPTION	LIST	
8"H	65FGA-12-8H.F	Frameless Glass Top Assembly 12w x 8h Frosted	\$185	
	65FGA-18-8H.F	Frameless Glass Top Assembly 18w x 8h Frosted	\$235	
	65FGA-24-8H.F	Frameless Glass Top Assembly 24w x 8h Frosted	\$275	
	65FGA-30-8H.F	Frameless Glass Top Assembly 30w x 8h Frosted	\$305	
	65FGA-36-8H.F	Frameless Glass Top Assembly 36w x 8h Frosted	\$339	
	65FGA-42-8H.F	Frameless Glass Top Assembly 42w x 8h Frosted	\$375	
	65FGA-48-8H.F	Frameless Glass Top Assembly 48w x 8h Frosted	\$419	
	65FGA-60-8H.F	Frameless Glass Top Assembly 60w x 8h Frosted	\$489	
	16"H	65FGA-12-16H.F	Frameless Glass Top Assembly 12w x 16h Frosted	\$235
		65FGA-18-16H.F	Frameless Glass Top Assembly 18w x 16h Frosted	\$275
65FGA-24-16H.F		Frameless Glass Top Assembly 24w x 16h Frosted	\$325	
65FGA-30-16H.F		Frameless Glass Top Assembly 30w x 16h Frosted	\$385	
65FGA-36-16H.F		Frameless Glass Top Assembly 36w x 16h Frosted	\$439	
65FGA-42-16H.F		Frameless Glass Top Assembly 42w x 16h Frosted	\$489	
65FGA-48-16H.F		Frameless Glass Top Assembly 48w x 16h Frosted	\$555	
65FGA-60-16H.F		Frameless Glass Top Assembly 60w x 16h Frosted	\$665	

TOP CAPS



SKU	DESCRIPTION	LIST
65TC-12	12"W Top Cap	\$28
65TC-18	18"W Top Cap	\$38
65TC-24	24"W Top Cap	\$42
65TC-30	30"W Top Cap	\$49
65TC-36	36"W Top Cap	\$54
65TC-42	42"W Top Cap	\$65
65TC-48	48"W Top Cap	\$71
65TC-60	60"W Top Cap	\$93

SIDE RAIL COVER

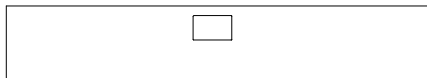


SKU	DESCRIPTION	LIST
65TF-SRC	Side rail cover for open bottom panel, pair	\$65

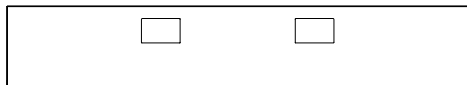
BASE COVERS



Base Cover (Blank)



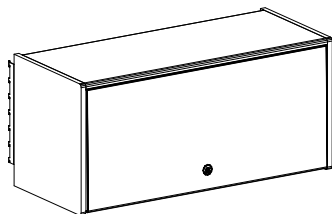
24" Base Cover (w/ 1 Electrical Knockout)



Base Cover (w/ 2 Electrical Knockouts)

SKU	DESCRIPTION	LIST
65BC-12	12"W Base Cover (Blank)	\$42
65BC-18	18"W Base Cover (Blank)	\$49
65BC-24	24"W Base Cover (Blank)	\$54
65BC-30	30"W Base Cover (Blank)	\$65
65BC-36	36"W Base Cover (Blank)	\$71
65BC-42	42"W Base Cover (Blank)	\$82
65BC-48	48"W Base Cover (Blank)	\$109
65BC-60	60"W Base Cover (Blank)	\$129
65BCE-24	24"W Base Cover (W/ Electrical Knockout)	\$65
65BCE-30	30"W Base Cover (W/ Electrical Knockout)	\$71
65BCE-36	36"W Base Cover (W/ Electrical Knockout)	\$82
65BCE-42	42"W Base Cover (W/ Electrical Knockout)	\$93
65BCE-48	48"W Base Cover (W/ Electrical Knockout)	\$119
65BCE-60	60"W Base Cover (W/ Electrical Knockout)	\$145

OVERHEAD STORAGE

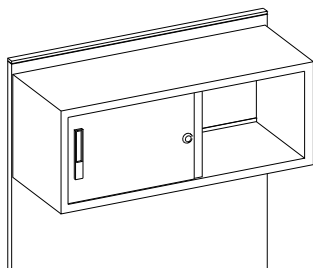


Overhead Binder Bin

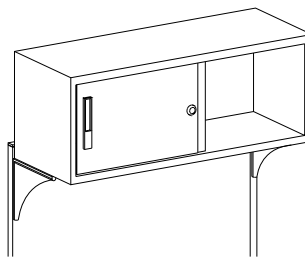
SKU	DESCRIPTION	LIST
65BB-24	Overhead Binder Bin w/ Receding Door, 24"W	\$1,099
65BB-30	Overhead Binder Bin w/ Receding Door, 30"W	\$1,155
65BB-36	Overhead Binder Bin w/ Receding Door, 36"W	\$1,219
65BB-42	Overhead Binder Bin w/ Receding Door, 42"W	\$1,285
65BB-48	Overhead Binder Bin w/ Receding Door, 48"W	\$1,359
65BB-60	Overhead Binder Bin w/ Receding Door, 60"W	\$1,505

ADDITIONAL COMPATIBLE STORAGE

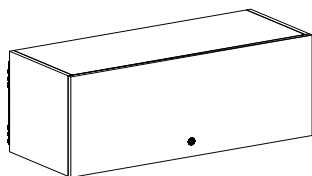
The following Overhead Storage options are also compatible with the Sixty-Five System.



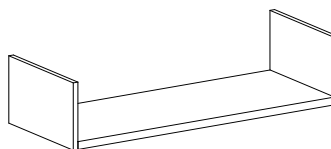
Sliding Door Overhead
Page 131



Upmount Sliding Door Overhead
Page 131

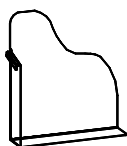


Metal Flipper Door Overhead
Page 131



Metal Storage Shelf Overhead
Page 131

ACCESSORY RAIL TRAYS



Oblique File Holder Tray



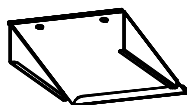
Vertical File Holder Tray



A4 Paper Tray



Stationary Holder Tray



Phone Holder Tray

SKU	DESCRIPTION	LIST
65AHT-AO1	Oblique File Holder Tray	\$71
65AHT-AO2	Vertical File Holder Tray	\$159
65AHT-AO3	A4 Paper Tray	\$71
65AHT-AO4	Stationary Holder Tray	\$65
65AHT-AO5	Phone Holder Tray	\$54

RAZOR SYSTEM

Our Razor System gets its name from its sleek, sharp edges. With its square connectors, flush base and razor-sharp design, this system is the future of modern offices. See Razor System brochure for details.

SPECIFYING THE RAZOR SYSTEM

DRAWING: Razor Panels can be found in our 20/20 library under the “Razor Panels and Connectors” folder. Razor Tiles can be found in our 20/20 library under the “Razor Tile Panels and Connectors” folder. Razor Panels, Razor Tiles, and unique Razor Connector SKUs are designated w/ a (.T) in our 20/20 Giza and CAP libraries.

PRICING AND QUOTING: Razor Panels, Tiles and Connectors are the same price as our OPS2 Panels, Tiles and Connectors. Razor Panel and Tile SKU's do not show up w/ a .T in the quote as the TB in the header is what denotes the base style. Only unique Razor connector or power parts show w/ a .T in the quote. See p. 19-23 of our Price Book for Razor Connector SKU's. Please let your Customer Service Representative know if you are interested in our Razor System to ensure it is specified correctly.



2 Way- Panel



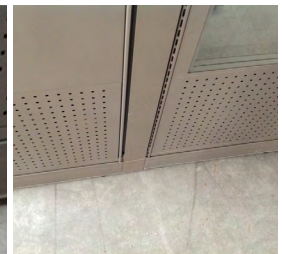
Razor Base



End Cap



2 Way- Tile



3 Way- Tile

CONNECTORS AND BASE



PANEL & END CAP



PANEL-TO-PANEL



END CAP



3-WAY: FLUSH



2-WAY: SQUARE SHAPE

POWER DETAILS

ELECTRICAL

W/ our Razor System, we utilize Version 1 Power and Thin Receptacles.

POWER

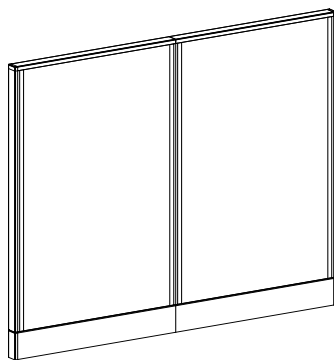
- Version 1 w/ thin receptacles
- Still part of All New Signature Program

FESTOONS (NOT SHOWN)

Three different types of festoons needed:

- 19" Festoons: For Panel to Panel
- Festoon 22's are used at a 90 degree turn
- Festoon 23's are used when going straight through a 3-way or 4-way connector





**PANEL TO PANEL- PTP
(DRAW ROD)**

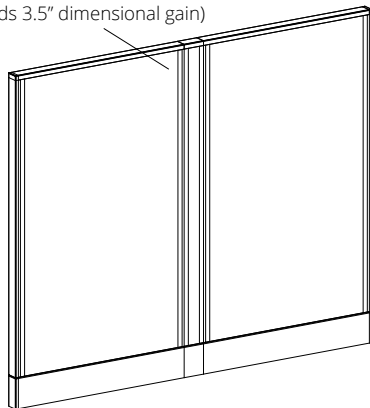
DESCRIPTION

This draw rod connects AO1 or AO2 panels of equal or unequal heights in a straight line. Unequal heights in a straight line also require a Change of Height connector. (COH)

NOTE: PTP connectors are used for a straight panel to panel connection. When unequal height panels are next to each other, use the lower height draw rod and COH for proper connection.

SKU	DESCRIPTION	LIST
PTP27	Panel to Panel Connector- 27H	\$38
PTP34	Panel to Panel Connector- 34H	\$38
PTP42	Panel to Panel Connector- 42H	\$38
PTP48	Panel to Panel Connector- 48H	\$42
PTP57	Panel to Panel Connector- 57H	\$42
PTP62	Panel to Panel Connector- 62H	\$42
PTP80	Panel to Panel Connector- 80H	\$42
PTP90	Panel to Panel Connector- 90H	\$71
PTP94	Panel to Panel Connector- 94H	\$71
PTP98	Panel to Panel Connector- 98H	\$71
PTP102	Panel to Panel Connector- 102H	\$71

SPACER
(Adds 3.5" dimensional gain)

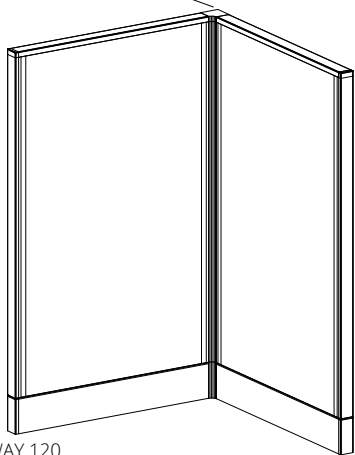


**SPACERS W/ THIN BASE
DESCRIPTION**

Spacers join two panels of equal or unequal heights in a straight line. They can compensate for dimensional gain in a panel run. If connecting panels of unequal heights, spacer height should equal height of higher panel.

SKU	DESCRIPTION	LIST
SPACE32A2.T	Spacer (180 2 Way) w/ Thin Base- 32H	\$235
SPACE39A2.T	Spacer (180 2 Way) w/ Thin Base- 39H	\$245
SPACE47A2.T	Spacer (180 2 Way) w/ Thin Base- 47H	\$245
SPACE53A2.T	Spacer (180 2 Way) w/ Thin Base- 53H	\$265
SPACE62A2.T	Spacer (180 2 Way) w/ Thin Base- 62H	\$295
SPACE67A2.T	Spacer (180 2 Way) w/ Thin Base- 67H	\$295
SPACE85A2.T	Spacer (180 2 Way) w/ Thin Base- 85H	\$325
SPACE95A2.T	Spacer (180 2 Way) w/ Thin Base- 95H	\$365
SPACE99A2.T	Spacer (180 2 Way) w/ Thin Base- 99H	\$365
SPACE103A2.T	Spacer (180 2 Way) w/ Thin Base- 103H	\$365
SPACE107A2.T	Spacer (180 2 Way) w/ Thin Base- 107H	\$365

2 WAY 90
(Adds 3.5" dimensional gain)

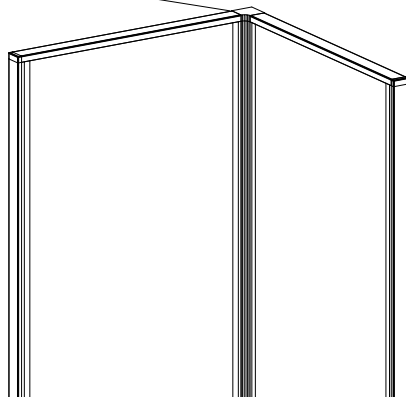


**2 WAY 90 CONNECTOR
W/ THIN BASE
DESCRIPTION**

These connectors join two panels of equal or unequal heights at a 90 degree angle. If connecting panels of unequal heights, connector height should equal height of higher panel.

SKU	DESCRIPTION	LIST
2WY32A2.T	2 Way Connector w/ Thin Base- 32H	\$185
2WY39A2.T	2 Way Connector w/ Thin Base- 39H	\$189
2WY47A2.T	2 Way Connector w/ Thin Base- 47H	\$215
2WY53A2.T	2 Way Connector w/ Thin Base- 53H	\$215
2WY62A2.T	2 Way Connector w/ Thin Base- 62H	\$245
2WY67A2.T	2 Way Connector w/ Thin Base- 67H	\$245
2WY85A2.T	2 Way Connector w/ Thin Base- 85H	\$275
2WY95A2.T	2 Way Connector w/ Thin Base- 95H	\$305
2WY99A2.T	2 Way Connector w/ Thin Base- 99H	\$305
2WY103A2.T	2 Way Connector w/ Thin Base- 103H	\$305
2WY107A2.T	2 Way Connector w/ Thin Base- 107H	\$305

2 WAY 120

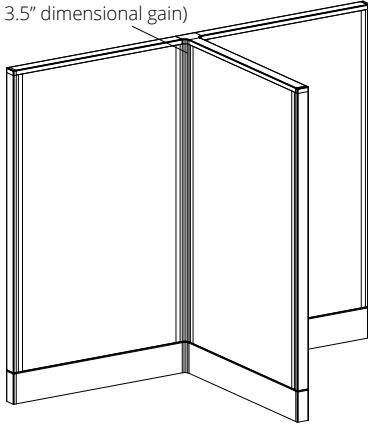


**2 WAY 120 CONNECTOR
W/ THIN BASE
DESCRIPTION**

These connectors join two panels w/ base of equal or unequal heights at a 120 degree angle. If connecting panels of unequal heights, connector height should equal height of higher panel.

SKU	DESCRIPTION	LIST
2WY32A2120.T	2 Way 120 Connector w/ Thin Base- 32H	\$325
2WY39A2120.T	2 Way 120 Connector w/ Thin Base-39H	\$339
2WY47A2120.T	2 Way 120 Connector w/ Thin Base- 47H	\$349
2WY53A2120.T	2 Way 120 Connector w/ Thin Base-53H	\$375
2WY62A2120.T	2 Way 120 Connector w/ Thin Base- 62H	\$385
2WY67A2120.T	2 Way 120 Connector w/ Thin Base- 67H	\$399
2WY85A2120.T	2 Way 120 Connector w/ Thin Base-85H	\$459

3 WAY 90
(Adds 3.5" dimensional gain)

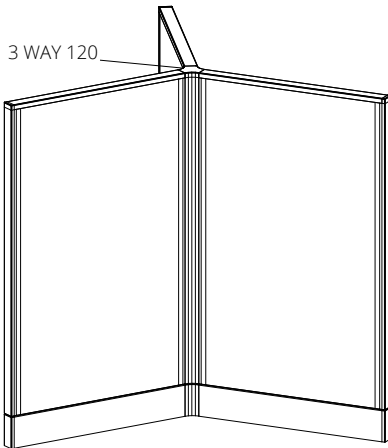


**3 WAY 90
CONNECTOR
W/ THIN BASE**
DESCRIPTION

These connectors join three panels of equal or unequal heights at a 90 degree angle. If connecting panels of unequal heights, connector height should equal height of higher panel.

SKU	DESCRIPTION	LIST
3WY32A2.T	3 Way Connector w/ Thin Base- 32H	\$325
3WY39A2.T	3 Way Connector w/ Thin Base- 39H	\$339
3WY47A2.T	3 Way Connector w/ Thin Base- 47H	\$349
3WY53A2.T	3 Way Connector w/ Thin Base- 53H	\$375
3WY62A2.T	3 Way Connector w/ Thin Base- 62H	\$399
3WY67A2.T	3 Way Connector w/ Thin Base- 67H	\$419
3WY85A2.T	3 Way Connector w/ Thin Base- 85H	\$469
3WY95A2.T	3 Way Connector w/ Thin Base- 95H	\$555
3WY99A2.T	3 Way Connector w/ Thin Base- 99H	\$555
3WY103A2.T	3 Way Connector w/ Thin Base- 103H	\$555
3WY107A2.T	3 Way Connector w/ Thin Base- 107H	\$555

3 WAY 120

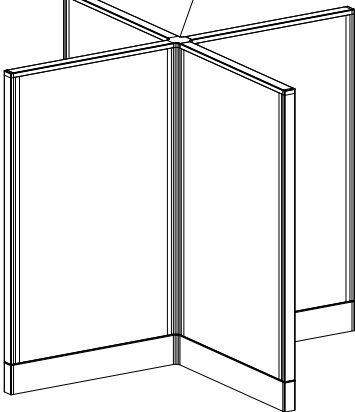


**3 WAY 120
CONNECTOR
W/ THIN BASE**
DESCRIPTION

These connectors join three panels of equal or unequal heights at a 120 degree angle. If connecting panels of unequal heights, connector height should equal height of higher panel.

SKU	DESCRIPTION	LIST
3WY32A2120.T	3 Way 120 Connector w/ Thin Base- 32H	\$459
3WY39A2120.T	3 Way 120 Connector w/ Thin Base- 39H	\$479
3WY47A2120.T	3 Way 120 Connector w/ Thin Base- 47H	\$525
3WY53A2120.T	3 Way 120 Connector w/ Thin Base- 53H	\$555
3WY62A2120.T	3 Way 120 Connector w/ Thin Base- 62H	\$595
3WY67A2120.T	3 Way 120 Connector w/ Thin Base- 67H	\$619
3WY85A2120.T	3 Way 120 Connector w/ Thin Base- 85H	\$699

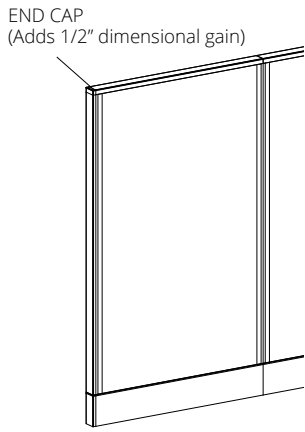
4 Way 90
(Adds 3.5" dimensional gain)



**4 WAY 90
CONNECTOR
W/ THIN BASE**
DESCRIPTION

These connectors join four panels of equal or unequal heights at a 90 degree angle. If connecting panels of unequal heights, connector height should equal height of higher panel.

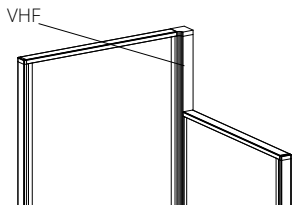
SKU	DESCRIPTION	LIST
4WY32A2.T	4 Way Connector w/ Thin Base- 32H	\$399
4WY39A2.T	4 Way Connector w/ Thin Base- 39H	\$419
4WY47A2.T	4 Way Connector w/ Thin Base- 47H	\$449
4WY53A2.T	4 Way Connector w/ Thin Base- 53H	\$469
4WY62A2.T	4 Way Connector w/ Thin Base- 62H	\$525
4WY67A2.T	4 Way Connector w/ Thin Base- 67H	\$529
4WY85A2.T	4 Way Connector w/ Thin Base- 85H	\$595
4WY95A2.T	4 Way Connector w/ Thin Base- 95H	\$675
4WY99A2.T	4 Way Connector w/ Thin Base- 99H	\$675
4WY103A2.T	4 Way Connector w/ Thin Base- 103H	\$675
4WY107A2.T	4 Way Connector w/ Thin Base- 107H	\$675



**STRUCTURAL END CAPS
W/ THIN BASE**

DESCRIPTION
These structural end caps finish the exposed end of a panel. The end cap height is the same as the exposed end panel height.

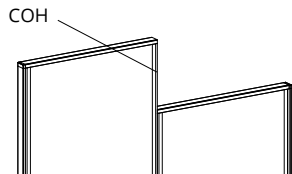
SKU	DESCRIPTION	LIST
EC32A2.T	Structural End Cap w/ Thin Base- 32H	\$87
EC39A2.T	Structural End Cap w/ Thin Base- 39H	\$93
EC47A2.T	Structural End Cap w/ Thin Base- 47H	\$97
EC53A2.T	Structural End Cap w/ Thin Base- 53H	\$97
EC62A2.T	Structural End Cap w/ Thin Base- 62H	\$105
EC67A2.T	Structural End Cap w/ Thin Base- 67H	\$105
EC85A2.T	Structural End Cap w/ Thin Base- 85H	\$109
EC95A2.T	Structural End Cap w/ Thin Base- 95H	\$185
EC99A2.T	Structural End Cap w/ Thin Base- 99H	\$185
EC103A2.T	Structural End Cap w/ Thin Base- 103H	\$185
EC107A2.T	Structural End Cap w/ Thin Base- 107H	\$185



**VARIABLE HEIGHT
FILLER (VHF)**

DESCRIPTION
When two panels of unequal heights are joining at a connector, a VHF is used to cover the exposed end of the panel.

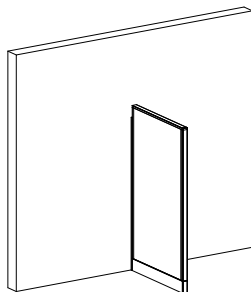
SKU	DESCRIPTION	LIST
VHF	Variable Height Viller- Panel to Connector	\$42



**CHANGE OF HEIGHT
(COH)**

DESCRIPTION
When two panels of unequal heights are joining in a straight line, a COH is used to cover the exposed end of the panel.

SKU	DESCRIPTION	LIST
COH	Change of Height filler	\$49

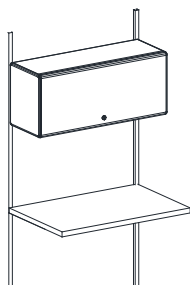


WALL START (TC)

DESCRIPTION

Wall starts are used to connect a panel to an architectural wall or column. They do not include the 5" base height.

SKU	DESCRIPTION	LIST
TC27	Wall Starter for 27H (AO1) or 32H (AO2) Panels- w/ PTP27	\$93
TC34	Wall Starter for 34H (AO1) or 39H (AO2) Panels- w/ PTP34	\$97
TC42	Wall Starter for 42H (AO1) or 47H (AO2) Panels- w/ PTP42	\$97
TC48	Wall Starter for 48H (AO1) or 53H (AO2) Panels- w/ PTP48	\$97
TC57	Wall Starter- for 57H (AO1) or 62H (AO2) Panels- w/ PTP57	\$105
TC62	Wall Starter for 62H (AO1) or 67H (AO2) Panels w/ PTP62	\$105
TC80	Wall Starter for 80H (AO1) or 85H (AO2) Panels w/ PTP80	\$115
TC90	Wall Starter for 90H (AO1) or 95H (AO2) Panels w/ PTP90	\$129
TC94	Wall Starter for 94H (AO1) or 99H (AO2) Panels w/ PTP94	\$129
TC98	Wall Starter for 98H (AO1) or 103H (AO2) Panels w/ PTP98	\$129
TC102	Wall Starter for 102H (AO1) or 107H (AO2) Panels w/ PTP102	\$129



WALL TRACK

DESCRIPTION

These wall strips attach to a structural wall for the purpose of hanging components.

SKU	DESCRIPTION	LIST
WALLTRACK72	Wall Track (No Hardware Included)- 72H	\$105
WALLTRACK84	Wall Track (No Hardware Included)- 84H	\$109

CEILING CHANNEL

DESCRIPTION

Ceiling Channel Trim adds the finishing touch to floor-to-ceiling modular wall systems.

SKU	DESCRIPTION	LIST
CT.CEILING CHANNEL	Ceiling Channel 6' Section, Includes Trim & Hanger	\$325
CT.2WAY	Ceiling Channel 2 Way Trim Cover	\$21
CT.3WAY	Ceiling Channel 3 Way Trim Cover	\$21
CT.4WAY	Ceiling Channel 4 Way Trim Cover	\$21
CT.ENDCAP	Ceiling Channel End Cap Trim	\$21
CT.CHANNEL CLIP	Ceiling Channel Clip- 4 Required per 6'	\$7

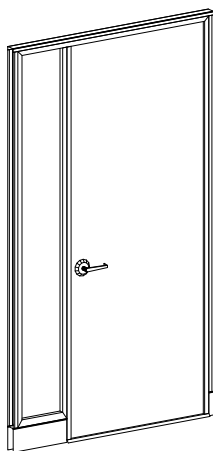
DOOR UNIT W/ THIN

BASE

DESCRIPTION

Door unit w/ side light and a left or right swing.

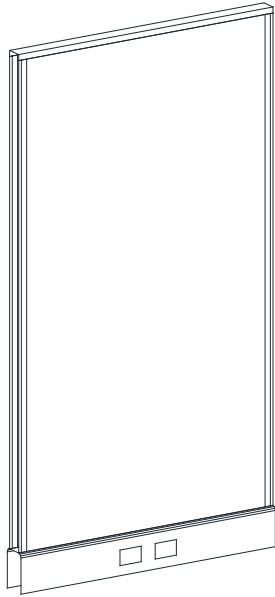
SKU	DESCRIPTION	LIST
DOORPNL85L.T	Standard Door Unit w/ side light- 85H x 48W- Left Swing - Thin Base	\$4,169
DOORPNL85R.T	Standard Door Unit w/ side light- 85H x 48W- Right Swing - Thin Base	\$4,169
DOORPNL85R.G.T	Glass Door Unit w/cutout and side light- 85H x 48W Right Swing - Thin Base	\$4,589
DOORPNL85L.G.T	Glass Door Unit w/cutout and side light- 85H x 48W Left Swing - Thin Base	\$4,589



Standard Door



Glass Door Unit w/ Cutout and Side Light (Left Swing)



*Version Power 2 Shown

DESCRIPTION

Our structural powered fabric panels have fabric surfaces, painted top caps and adjustable glides. Inside the powered panel lies an electrical harness that distributes double-sided, 4-circuit power w/in a cable management raceway.

OPS2 PANEL SYSTEM

Height Options: 32, 39, 47, 53, 62, 67, 85
Width Options: 12, 18, 24, 30, 36, 42, 48, 60

MODULAR WALLS

Height Options: 95 and 107
Width Options: 24, 30, 36, 42 and 48
*99 and 103 heights are available w/ the use of stackers

***VERSION 2 POWER**

The 4-circuit power outlets are located in the middle of the base on each panel, allowing for two duplex receptacles on each side of 24"-60"W panels. Attached to the power harness are the jumpers for power continuation from panel to panel and panel through connector. Version 2 power is standard for all panels, except for Razor panels and special requests.



VERSION 1 POWER

The 4-circuit power outlets are located 10" from the end of the base on each panel, allowing for two duplex receptacles on each side of 30"-60" panels and one on each side of a 24" panel. Separate jumpers are used to connect power from one panel to another. Version 1 power is used for all Razor panels and upon specific request.



32"H	SKU	DESCRIPTION	LIST
	F3212P	32H x 12W Fabric Panel- Powered	\$999
	F3218P	32H x 18W Fabric Panel- Powered	\$1,025
	F3224P	32H x 24W Fabric Panel- Powered	\$1,035
	F3230P	32H x 30W Fabric Panel- Powered	\$1,109
	F3236P	32H x 36W Fabric Panel- Powered	\$1,189
	F3242P	32H x 42W Fabric Panel- Powered	\$1,219
	F3248P	32H x 48W Fabric Panel- Powered	\$1,285
	F3260P	32H x 60W Fabric Panel- Powered	\$1,479

39"H	SKU	DESCRIPTION	LIST
	F3912P	39H x 12W Fabric Panel- Powered	\$1,025
	F3918P	39H x 18W Fabric Panel- Powered	\$1,065
	F3924P	39H x 24W Fabric Panel- Powered	\$1,065
	F3930P	39H x 30W Fabric Panel- Powered	\$1,135
	F3936P	39H x 36W Fabric Panel- Powered	\$1,209
	F3942P	39H x 42W Fabric Panel- Powered	\$1,275
	F3948P	39H x 48W Fabric Panel- Powered	\$1,319
	F3960P	39H x 60W Fabric Panel- Powered	\$1,519

47"H	SKU	DESCRIPTION	LIST
	F4712P	47H x 12W Fabric Panel- Powered	\$1,065
	F4718P	47H x 18W Fabric Panel- Powered	\$1,099
	F4724P	47H x 24W Fabric Panel- Powered	\$1,109
	F4730P	47H x 30W Fabric Panel- Powered	\$1,189
	F4736P	47H x 36W Fabric Panel- Powered	\$1,309
	F4742P	47H x 42W Fabric Panel- Powered	\$1,395
	F4748P	47H x 48W Fabric Panel- Powered	\$1,429
	F4760P	47H x 60W Fabric Panel- Powered	\$1,649

53"H	SKU	DESCRIPTION	LIST
	F5312P	53H x 12W Fabric Panel- Powered	\$1,089
	F5318P	53H x 18W Fabric Panel- Powered	\$1,125
	F5324P	53H x 24W Fabric Panel- Powered	\$1,125
	F5330P	53H x 30W Fabric Panel- Powered	\$1,209
	F5336P	53H x 36W Fabric Panel- Powered	\$1,359
	F5342P	53H x 42W Fabric Panel- Powered	\$1,429
	F5348P	53H x 48W Fabric Panel- Powered	\$1,495
	F5360P	53H x 60W Fabric Panel- Powered	\$1,735

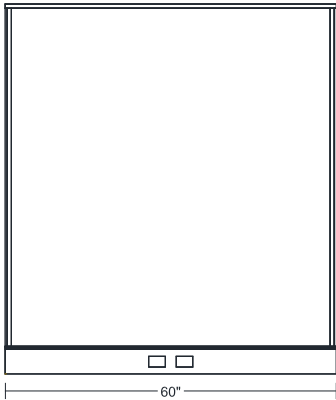
62"H	SKU	DESCRIPTION	LIST
	F6212P	62H x 12W Fabric Panel- Powered	\$1,099
	F6218P	62H x 18W Fabric Panel- Powered	\$1,199
	F6224P	62H x 24W Fabric Panel- Powered	\$1,209
	F6230P	62H x 30W Fabric Panel- Powered	\$1,319
	F6236P	62H x 36W Fabric Panel- Powered	\$1,479
	F6242P	62H x 42W Fabric Panel- Powered	\$1,535
	F6248P	62H x 48W Fabric Panel- Powered	\$1,615
	F6260P	62H x 60W Fabric Panel- Powered	\$1,899

67"H	SKU	DESCRIPTION	LIST
	F6712P	67H x 12W Fabric Panel- Powered	\$1,125
	F6718P	67H x 18W Fabric Panel- Powered	\$1,209
	F6724P	67H x 24W Fabric Panel- Powered	\$1,219
	F6730P	67H x 30W Fabric Panel- Powered	\$1,339
	F6736P	67H x 36W Fabric Panel- Powered	\$1,479
	F6742P	67H x 42W Fabric Panel- Powered	\$1,555
	F6748P	67H x 48W Fabric Panel- Powered	\$1,625
	F6760P	67H x 60W Fabric Panel- Powered	\$1,899

85"H	SKU	DESCRIPTION	LIST
	F8512P	85H x 12W Fabric Panel- Powered	\$1,209
	F8518P	85H x 18W Fabric Panel- Powered	\$1,349
	F8524P	85H x 24W Fabric Panel- Powered	\$1,385
	F8530P	85H x 30W Fabric Panel- Powered	\$1,495
	F8536P	85H x 36W Fabric Panel- Powered	\$1,659
	F8542P	85H x 42W Fabric Panel- Powered	\$1,735
	F8548P	85H x 48W Fabric Panel- Powered	\$1,829
	F8560P	85H x 60W Fabric Panel- Powered	\$2,149

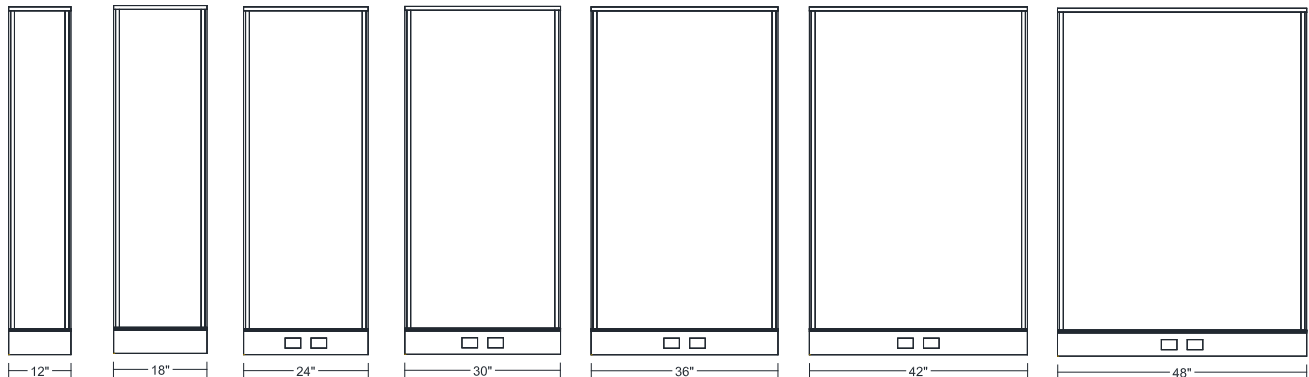
95"H	SKU	DESCRIPTION	LIST
	F9512P	95H x 12W Fabric Panel- Powered	\$1,595
	F9518P	95H x 18W Fabric Panel- Powered	\$1,725
	F9524P	95H x 24W Fabric Panel- Powered	\$1,789
	F9530P	95H x 30W Fabric Panel- Powered	\$1,919
	F9536P	95H x 36W Fabric Panel- Powered	\$2,119
	F9542P	95H x 42W Fabric Panel- Powered	\$2,235
	F9548P	95H x 48W Fabric Panel- Powered	\$2,349

107"H	SKU	DESCRIPTION	LIST
	F10712P	107H x 12W Fabric Panel- Powered	\$1,595
	F10718P	107H x 18W Fabric Panel- Powered	\$1,725
	F10724P	107H x 24W Fabric Panel- Powered	\$1,789
	F10730P	107H x 30W Fabric Panel- Powered	\$1,919
	F10736P	107H x 36W Fabric Panel- Powered	\$2,119
	F10742P	107H x 42W Fabric Panel- Powered	\$2,235
	F10748P	107H x 48W Fabric Panel- Powered	\$2,349



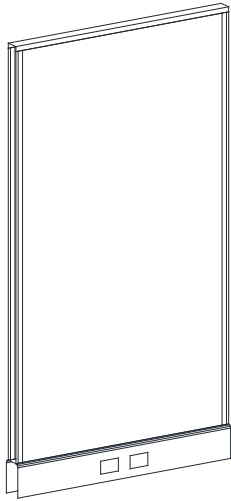
NOTE: 60"W panels are not available in 95 and 107H Modular Wall heights due to stability issues.

*Version 2 Power Shown



*Version 2 Power Shown

NOTE: 12" and 18"W panels do not have receptacle or communication power ports.



*Version Power 2 Shown

DESCRIPTION

Our structural powered fabric tackable panels have painted top caps and adjustable glides. Inside the powered panel lies an electrical harness that distributes double-sided, 4-circuit power w/in a cable management raceway.

OPS2 PANEL SYSTEM

Height Options: 53, 62, 67, 85
Width Options: 24, 30, 36, 42, 48, 60*
*60W not available on 85H

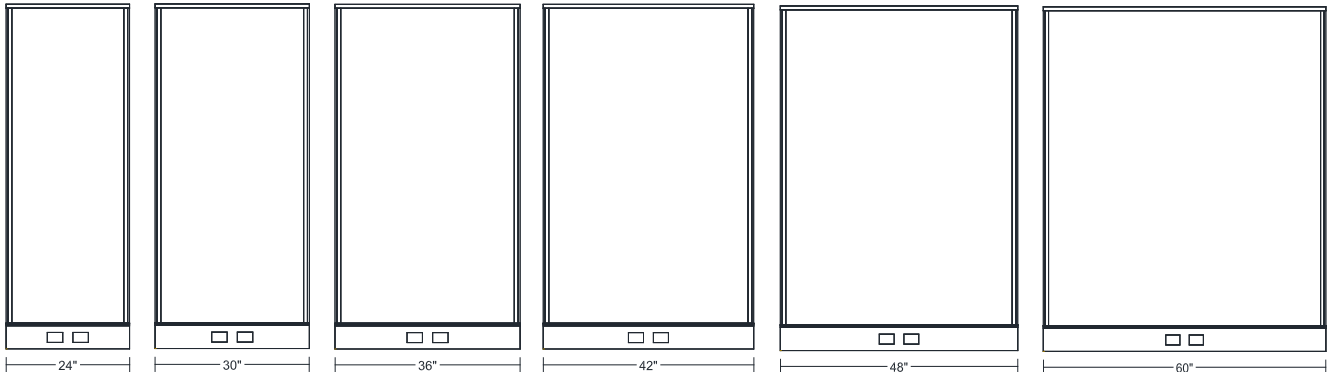
***VERSION 2 POWER**

The 4-circuit power outlets are located in the middle of the base on each panel, allowing for two duplex receptacles on each side of 24"-60"W panels. Attached to the power harness are the jumpers for power continuation from panel to panel and panel through connector. Version 2 power is standard for all panels, except for Razor panels and special requests.



VERSION 1 POWER

The 4-circuit power outlets are located 10" from the end of the base on each panel, allowing for two duplex receptacles on each side of 30"-60" panels and one on each side of a 24" panel. Separate jumpers are used to connect power from one panel to another. Version 1 power is used for all Razor panels and upon specific request.



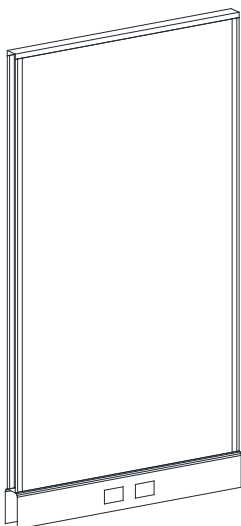
*Version 2 Power Shown

53"H	SKU	DESCRIPTION	LIST
	FT5324P	53H x 24W Fabric Tackable Panel- Powered	\$1,395
	FT5330P	53H x 30W Fabric Tackable Panel- Powered	\$1,479
	FT5336P	53H x 36W Fabric Tackable Panel- Powered	\$1,595
	FT5342P	53H x 42W Fabric Tackable Panel- Powered	\$1,649
	FT5348P	53H x 48W Fabric Tackable Panel- Powered	\$1,725
	FT5360P	53H x 60W Fabric Tackable Panel- Powered	\$2,019

62"H	SKU	DESCRIPTION	LIST
	FT6224P	62H x 24W Fabric Tackable Panel- Powered	\$1,395
	FT6230P	62H x 30W Fabric Tackable Panel- Powered	\$1,479
	FT6236P	62H x 36W Fabric Tackable Panel- Powered	\$1,615
	FT6242P	62H x 42W Fabric Tackable Panel- Powered	\$1,659
	FT6248P	62H x 48W Fabric Tackable Panel- Powered	\$1,735
	FT6260P	62H x 60W Fabric Tackable Panel- Powered	\$2,025

67"H	SKU	DESCRIPTION	LIST
	FT6724P	67H x 24W Fabric Tackable Panel- Powered	\$1,429
	FT6730P	67H x 30W Fabric Tackable Panel- Powered	\$1,519
	FT6736P	67H x 36W Fabric Tackable Panel- Powered	\$1,649
	FT6742P	67H x 42W Fabric Tackable Panel- Powered	\$1,699
	FT6748P	67H x 48W Fabric Tackable Panel- Powered	\$1,789
	FT6760P	67H x 60W Fabric Tackable Panel- Powered	\$2,049

85"H	SKU	DESCRIPTION	LIST
	FT8524P	85H x 24W Fabric Tackable Panel- Powered	\$1,579
	FT8530P	85H x 30W Fabric Tackable Panel- Powered	\$1,679
	FT8536P	85H x 36W Fabric Tackable Panel- Powered	\$1,845
	FT8542P	85H x 42W Fabric Tackable Panel- Powered	\$1,919
	FT8548P	85H x 48W Fabric Tackable Panel- Powered	\$2,019



*Version Power 2 Shown

DESCRIPTION

Our structural powered fabric acoustic panels have acoustic sound-barrier surfaces, painted top caps and adjustable glides. Inside the powered panel lies an electrical harness that distributes double-sided, 4-circuit power w/in a cable management raceway.

OPS2 PANEL SYSTEM

Height Options: 53, 62, 67, 85
Width Options: 12, 18, 24, 30, 36, 42, 48, 60

MODULAR WALLS

Height Options: 95, 107
Width Options: 12, 18, 24, 30, 36, 42, 48
*99 and 103 heights are available w/ the use of stackers

***VERSION 2 POWER**

The 4-circuit power outlets are located in the middle of the base on each panel, allowing for two duplex receptacles on each side of 24"-60"W panels. Attached to the power harness are the jumpers for power continuation from panel to panel and panel through connector. Version 2 power is standard for all panels, except for Razor panels and special requests.



VERSION 1 POWER

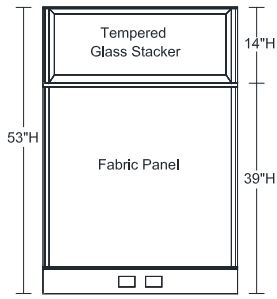
The 4-circuit power outlets are located 10" from the end of the base on each panel, allowing for two duplex receptacles on each side of 30"-60" panels and one on each side of a 24" panel. Separate jumpers are used to connect power from one panel to another. Version 1 power is used for all Razor panels and upon specific request.



53"H	SKU	DESCRIPTION	LIST
	A5312P	53H x 12W Acoustic Panel- Powered	\$1,285
	A5318P	53H x 18W Acoustic Panel- Powered	\$1,385
	A5324P	53H x 24W Acoustic Panel- Powered	\$1,395
	A5330P	53H x 30W Acoustic Panel- Powered	\$1,479
	A5336P	53H x 36W Acoustic Panel- Powered	\$1,595
	A5342P	53H x 42W Acoustic Panel- Powered	\$1,659
	A5348P	53H x 48W Acoustic Panel- Powered	\$1,725
	A5360P	53H x 60W Acoustic Panel- Powered	\$2,025
62"H	SKU	DESCRIPTION	LIST
	A6212P	62H x 12W Acoustic Panel- Powered	\$1,319
	A6218P	62H x 18W Acoustic Panel- Powered	\$1,385
	A6224P	62H x 24W Acoustic Panel- Powered	\$1,395
	A6230P	62H x 30W Acoustic Panel- Powered	\$1,495
	A6236P	62H x 36W Acoustic Panel- Powered	\$1,615
	A6242P	62H x 42W Acoustic Panel- Powered	\$1,679
	A6248P	62H x 48W Acoustic Panel- Powered	\$1,735
	A6260P	62H x 60W Acoustic Panel- Powered	\$2,029
67"H	SKU	DESCRIPTION	LIST
	A6712P	67H x 12W Acoustic Panel- Powered	\$1,339
	A6718P	67H x 18W Acoustic Panel- Powered	\$1,429
	A6724P	67H x 24W Acoustic Panel- Powered	\$1,429
	A6730P	67H x 30W Acoustic Panel- Powered	\$1,519
	A6736P	67H x 36W Acoustic Panel- Powered	\$1,649
	A6742P	67H x 42W Acoustic Panel- Powered	\$1,715
	A6748P	67H x 48W Acoustic Panel- Powered	\$1,789
	A6760P	67H x 60W Acoustic Panel- Powered	\$2,049
85"H	SKU	DESCRIPTION	LIST
	A8512P	85H x 12W Acoustic Panel- Powered	\$1,479
	A8518P	85H x 18W Acoustic Panel- Powered	\$1,579
	A8524P	85H x 24W Acoustic Panel- Powered	\$1,579
	A8530P	85H x 30W Acoustic Panel- Powered	\$1,679
	A8536P	85H x 36W Acoustic Panel- Powered	\$1,839
	A8542P	85H x 42W Acoustic Panel- Powered	\$1,919
	A8548P	85H x 48W Acoustic Panel- Powered	\$2,025
	A8560P	85H x 60W Acoustic Panel- Powered	\$2,369
95"H	SKU	DESCRIPTION	LIST
	A9512P	95H x 12W Acoustic Panel- Powered	\$1,725
	A9518P	95H x 18W Acoustic Panel- Powered	\$1,869
	A9524P	95H x 24W Acoustic Panel- Powered	\$1,919
	A9530P	95H x 30W Acoustic Panel- Powered	\$2,079
	A9536P	95H x 36W Acoustic Panel- Powered	\$2,295
	A9542P	95H x 42W Acoustic Panel- Powered	\$2,409
	A9548P	95H x 48W Acoustic Panel- Powered	\$2,555
107"H	SKU	DESCRIPTION	LIST
	A10712P	107H x 12W Acoustic Panel- Powered	\$1,725
	A10718P	107H x 18W Acoustic Panel- Powered	\$1,869
	A10724P	107H x 24W Acoustic Panel- Powered	\$1,919
	A10730P	107H x 30W Acoustic Panel- Powered	\$2,079
	A10736P	107H x 36W Acoustic Panel- Powered	\$2,295
	A10742P	107H x 42W Acoustic Panel- Powered	\$2,409
	A10748P	107H x 48W Acoustic Panel- Powered	\$2,555

PARTIAL GLAZED STACKER PANELS
FABRIC POWERED

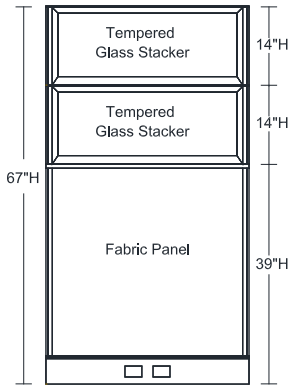
NOTE: A clear tempered glass stacker is our standard. Bronzed and smoked stackers are available as plexiglass for an upcharge. Frosted stackers are available as tempered glass at an upcharge.



53"H	SKU	DESCRIPTION	LIST
	PGSF5324P-3914	53 (39-14) x 24 Fabric Stack Glass Panel- Powered	\$1,725
	PGSF5330P-3914	53 (39-14) x 30 Fabric Stack Glass Panel- Powered	\$1,819
	PGSF5336P-3914	53 (39-14) x 36 Fabric Stack Glass Panel- Powered	\$1,909
	PGSF5342P-3914	53 (39-14) x 42 Fabric Stack Glass Panel- Powered	\$2,165
	PGSF5348P-3914	53 (39-14) x 48 Fabric Stack Glass Panel- Powered	\$2,215
	PGSF5360P-3914	53 (39-14) x 60 Fabric Stack Glass Panel- Powered	\$2,675

This structural 53"H powered partial glazed stacker panel has a 14"H tempered glass stacker w/ a painted frame and top cap, adjustable glides and a 39"H fabric covered lower section.

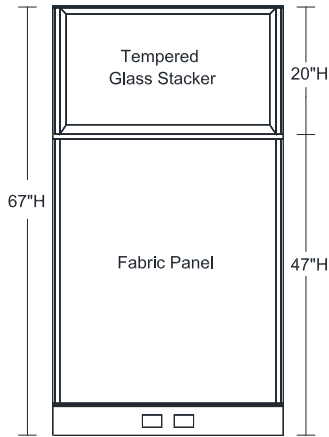
Shown w/ Version 2 Power



67"H	SKU	DESCRIPTION	LIST
	PGSF6724P-391414	67 (39-14-14) x 24 Fabric Stack Glass Panel- Powered	\$2,439
	PGSF6730P-391414	67 (39-14-14) x 30 Fabric Stack Glass Panel- Powered	\$2,545
	PGSF6736P-391414	67 (39-14-14) x 36 Fabric Stack Glass Panel- Powered	\$2,655
	PGSF6742P-391414	67 (39-14-14) x 42 Fabric Stack Glass Panel- Powered	\$3,105
	PGSF6748P-391414	67 (39-14-14) x 48 Fabric Stack Glass Panel- Powered	\$3,185
	PGSF6760P-391414	67 (39-14-14) x 60 Fabric Stack Glass Panel- Powered	\$3,909

This 67"H structural powered partial glazed stacker panel has two 14"H tempered glass stackers w/ a painted frame and top cap, adjustable glides and a 39"H fabric covered lower section.

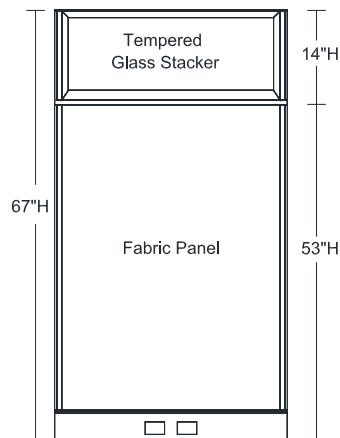
Shown w/ Version 2 Power



67"H	SKU	DESCRIPTION	LIST
	PGSF6724P-4720	67 (47-20) x 24 Fabric Stack Glass Panel- Powered	\$1,779
	PGSF6730P-4720	67 (47-20) x 30 Fabric Stack Glass Panel- Powered	\$2,055
	PGSF6736P-4720	67 (47-20) x 36 Fabric Stack Glass Panel- Powered	\$2,295
	PGSF6742P-4720	67 (47-20) x 42 Fabric Stack Glass Panel- Powered	\$2,515
	PGSF6748P-4720	67 (47-20) x 48 Fabric Stack Glass Panel- Powered	\$2,675
	PGSF6760P-4720	67 (47-20) x 60 Fabric Stack Glass Panel- Powered	\$3,119

This 67"H structural powered partial glazed stacker panel has a 20"H tempered glass stacker w/ a painted frame and top cap, adjustable glides and a 47"H fabric covered lower section.

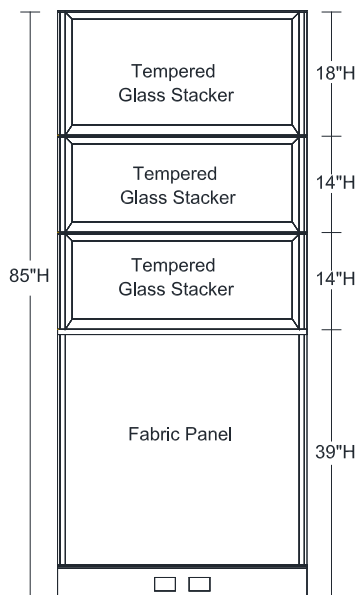
Shown w/ Version 2 Power



67"H	SKU	DESCRIPTION	LIST
	PGSF6724P-5314	67 (53-14) x 24 Fabric Stack Glass Panel - Powered	\$1,789
	PGSF6730P-5314	67 (53-14) x 30 Fabric Stack Glass Panel - Powered	\$1,889
	PGSF6736P-5314	67 (53-14) x 36 Fabric Stack Glass Panel - Powered	\$2,039
	PGSF6742P-5314	67 (53-14) x 42 Fabric Stack Glass Panel - Powered	\$2,315
	PGSF6748P-5314	67 (53-14) x 48 Fabric Stack Glass Panel - Powered	\$2,385
	PGSF6760P-5314	67 (53-14) x 60 Fabric Stack Glass Panel - Powered	\$2,879

This 67"H structural powered partial glazed stacker panel has a 14"H tempered glass stacker w/ a painted frame and top cap, adjustable glides and a 53"H fabric covered lower section.

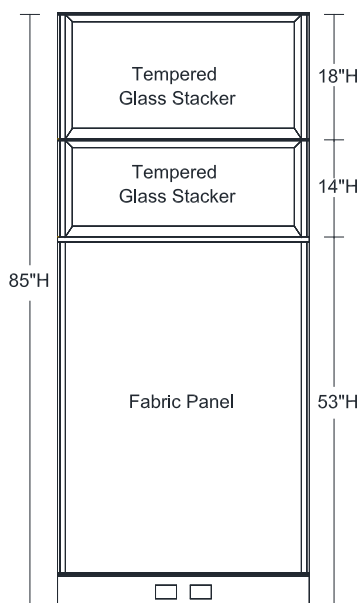
Shown w/ Version 2 Power



85"H	SKU	DESCRIPTION	LIST
	PGSF8524P-39141418	85 (39-14-14-18) x 24 Fabric Stack Glass Panel- Powered	\$3,169
	PGSF8530P-39141418	85 (39-14-14-18) x 30 Fabric Stack Glass Panel- Powered	\$3,455
	PGSF8536P-39141418	85 (39-14-14-18) x 36 Fabric Stack Glass Panel- Powered	\$3,705
	PGSF8542P-39141418	85 (39-14-14-18) x 42 Fabric Stack Glass Panel- Powered	\$4,269
	PGSF8548P-39141418	85 (39-14-14-18) x 48 Fabric Stack Glass Panel- Powered	\$4,479
	PGSF8560P-39141418	85 (39-14-14-18) x 60 Fabric Stack Glass Panel- Powered	\$5,425

This 85"H structural powered partial glazed stacker panel has two 14"H and one 18"H tempered glass stackers w/ a painted frame and top cap, adjustable glides and a 39"H fabric covered lower section.

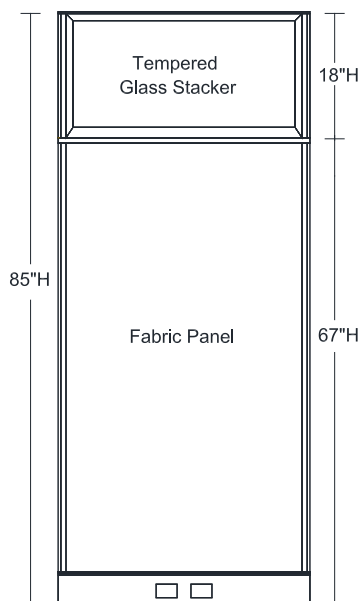
Shown w/ Version 2 Power



85"H	SKU	DESCRIPTION	LIST
	PGSF8524P-531418	85 (53-14-18) x 24 Fabric Stack Glass Panel- Powered	\$2,509
	PGSF8530P-531418	85 (53-14-18) x 30 Fabric Stack Glass Panel- Powered	\$2,809
	PGSF8536P-531418	85 (53-14-18) x 36 Fabric Stack Glass Panel- Powered	\$3,075
	PGSF8542P-531418	85 (53-14-18) x 42 Fabric Stack Glass Panel- Powered	\$3,479
	PGSF8548P-531418	85 (53-14-18) x 48 Fabric Stack Glass Panel- Powered	\$3,675
	PGSF8560P-531418	85 (53-14-18) x 60 Fabric Stack Glass Panel- Powered	\$4,409

This 85"H structural powered partial glazed stacker panel has one 14"H and one 18"H tempered glass stackers w/ a painted frame and top cap, adjustable glides and a 53"H fabric covered lower section.

Shown w/ Version 2 Power



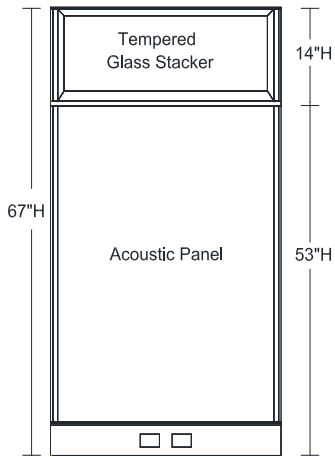
85"H	SKU	DESCRIPTION	LIST
	PGSF8524P-6718	85 (67-18) x 24 Fabric Stack Glass Panel- Powered	\$1,899
	PGSF8530P-6718	85 (67-18) x 30 Fabric Stack Glass Panel- Powered	\$2,189
	PGSF8536P-6718	85 (67-18) x 36 Fabric Stack Glass Panel- Powered	\$2,439
	PGSF8542P-6718	85 (67-18) x 42 Fabric Stack Glass Panel- Powered	\$2,635
	PGSF8548P-6718	85 (67-18) x 48 Fabric Stack Glass Panel- Powered	\$2,839
	PGSF8560P-6718	85 (67-18) x 60 Fabric Stack Glass Panel- Powered	\$3,335

This 85"H structural powered partial glazed stacker panel has an 18"H tempered glass stacker w/ a painted frame and top cap, adjustable glides and a 67"H fabric covered lower section.

Shown w/ Version 2 Power

**PARTIAL GLAZED STACKER PANELS
ACOUSTIC POWERED**

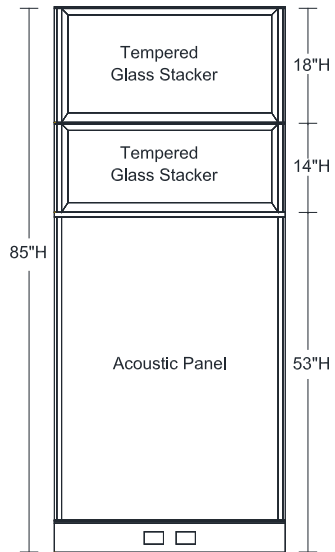
NOTE: A clear tempered glass stacker is our standard. Bronzed and smoked stackers are available as plexiglass for an upcharge. Frosted stackers are available as tempered glass at an upcharge.



67"H	SKU	DESCRIPTION	LIST
	PGSA6724P-5314	67 (53-14) x 24 Acoustic Stack Glass Panel- Powered	\$2,025
	PGSA6730P-5314	67 (53-14) x 30 Acoustic Stack Glass Panel- Powered	\$2,119
	PGSA6736P-5314	67 (53-14) x 36 Acoustic Stack Glass Panel- Powered	\$2,255
	PGSA6742P-5314	67 (53-14) x 42 Acoustic Stack Glass Panel- Powered	\$2,515
	PGSA6748P-5314	67 (53-14) x 48 Acoustic Stack Glass Panel- Powered	\$2,599
	PGSA6760P-5314	67 (53-14) x 60 Acoustic Stack Glass Panel- Powered	\$3,139

This 67"H structural powered partial glazed stacker panel has a 14"H tempered glass stacker w/ a painted frame and top cap, adjustable glides and a 53"H acoustic lower section.

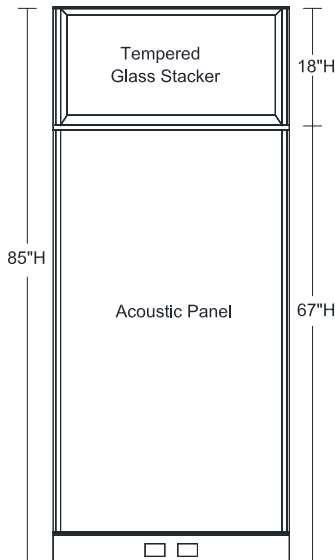
Shown w/ Version 2 Power



85"H	SKU	DESCRIPTION	LIST
	PGSA8524P-531418	85 (53-14-18) x 24 Acoustic Stack Glass Panel- Powered	\$2,759
	PGSA8530P-531418	85 (53-14-18) x 30 Acoustic Stack Glass Panel- Powered	\$3,045
	PGSA8536P-531418	85 (53-14-18) x 36 Acoustic Stack Glass Panel- Powered	\$3,305
	PGSA8542P-531418	85 (53-14-18) x 42 Acoustic Stack Glass Panel- Powered	\$3,695
	PGSA8548P-531418	85 (53-14-18) x 48 Acoustic Stack Glass Panel- Powered	\$3,899
	PGSA8560P-531418	85 (53-14-18) x 60 Acoustic Stack Glass Panel- Powered	\$4,655

This 85"H structural powered partial glazed stacker panel has one 14"H and one 18"H tempered glass stacker w/ a painted frame and top cap, adjustable glides and a 53"H acoustic lower section.

Shown w/ Version 2 Power



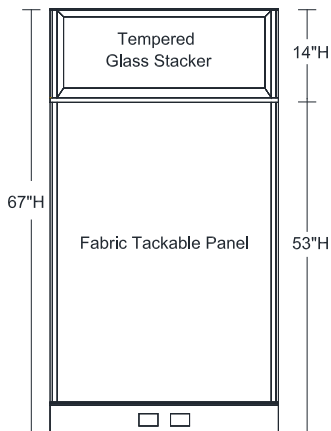
85"H	SKU	DESCRIPTION	LIST
	PGSA8524P-6718	85 (67-18) x 24 Acoustic Stack Glass Panel- Powered	\$2,079
	PGSA8530P-6718	85 (67-18) x 30 Acoustic Stack Glass Panel- Powered	\$2,349
	PGSA8536P-6718	85 (67-18) x 36 Acoustic Stack Glass Panel- Powered	\$2,599
	PGSA8542P-6718	85 (67-18) x 42 Acoustic Stack Glass Panel- Powered	\$2,769
	PGSA8548P-6718	85 (67-18) x 48 Acoustic Stack Glass Panel- Powered	\$2,975
	PGSA8560P-6718	85 (67-18) x 60 Acoustic Stack Glass Panel- Powered	\$3,455

This 85"H structural powered partial glazed stacker panel has an 18"H tempered glass stacker w/ a painted frame and top cap, adjustable glides and a 67"H acoustic lower section.

Shown w/ Version 2 Power

**PARTIAL GLAZED STACKER PANELS
FABRIC TACKABLE POWERED**

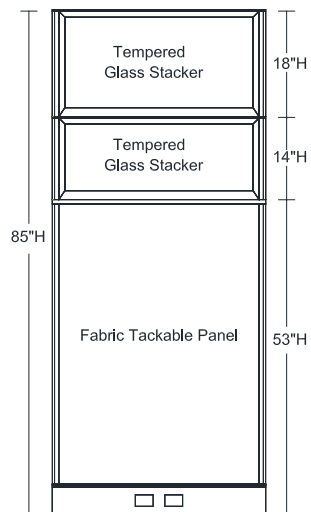
NOTE: A clear tempered glass stacker is our standard. Bronzed and smoked stackers are available as plexiglass for an upcharge. Frosted stackers are available as tempered glass at an upcharge.



67"H	SKU	DESCRIPTION	LIST
	PGSFT6724P-5314	67 (53-14) x 24 Fabric Tackable Stack Glass Panel- Powered	\$2,019
	PGSFT6730P-5314	67 (53-14) x 30 Fabric Tackable Stack Glass Panel- Powered	\$2,105
	PGSFT6736P-5314	67 (53-14) x 36 Fabric Tackable Stack Glass Panel- Powered	\$2,235
	PGSFT6742P-5314	67 (53-14) x 42 Fabric Tackable Stack Glass Panel- Powered	\$2,499
	PGSFT6748P-5314	67 (53-14) x 48 Fabric Tackable Stack Glass Panel- Powered	\$2,585
	PGSFT6760P-5314	67 (53-14) x 60 Fabric Tackable Stack Glass Panel- Powered	\$3,105

This 67"H structural powered partial glazed stacker panel has a 14"H tempered glass stacker w/ a painted frame and top cap, adjustable glides and a 53"H fabric tackable lower section.

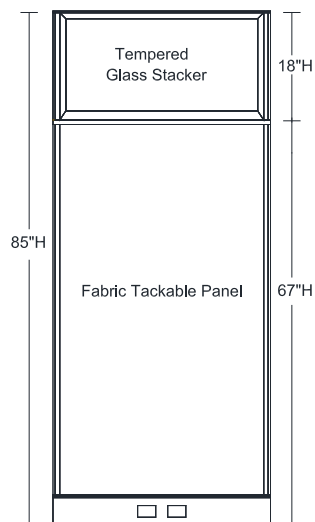
Shown w/ Version 2 Power



85"H	SKU	DESCRIPTION	LIST
	PGSFT8524P-531418	85 (53-14-18) x 24 Fabric Tackable Stack Glass Panel Powered	\$2,739
	PGSFT8530P-531418	85 (53-14-18) x 30 Fabric Tackable Stack Glass Panel- Powered	\$3,025
	PGSFT8536P-531418	85 (53-14-18) x 36 Fabric Tackable Stack Glass Panel- Powered	\$3,265
	PGSFT8542P-531418	85 (53-14-18) x 42 Fabric Tackable Stack Glass Panel- Powered	\$3,665
	PGSFT8548P-531418	85 (53-14-18) x 48 Fabric Tackable Stack Glass Panel- Powered	\$3,879
	PGSFT8560P-531418	85 (53-14-18) x 60 Fabric Tackable Stack Glass Panel- Powered	\$4,629

This 85"H structural powered partial glazed stacker panel has one 14"H and one 18"H tempered glass stacker w/ a painted frame and top cap, adjustable glides and a 53"H fabric tackable lower section.

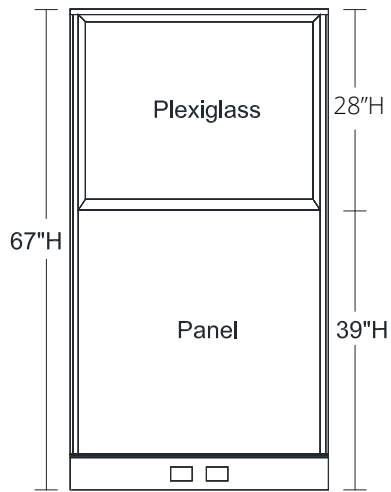
Shown w/ Version 2 Power



85"H	SKU	DESCRIPTION	LIST
	PGSFT8524P-6718	85 (67-18) x 24 Fabric Tackable Stack Glass Panel- Powered	\$2,065
	PGSFT8530P-6718	85 (67-18) x 30 Fabric Tackable Stack Glass Panel- Powered	\$2,329
	PGSFT8536P-6718	85 (67-18) x 36 Fabric Tackable Stack Glass Panel- Powered	\$2,575
	PGSFT8542P-6718	85 (67-18) x 42 Fabric Tackable Stack Glass Panel- Powered	\$2,749
	PGSFT8548P-6718	85 (67-18) x 48 Fabric Tackable Stack Glass Panel- Powered	\$2,945
	PGSFT8560P-6718	85 (67-18) x 60 Fabric Tackable Stack Glass Panel - Powered	\$3,435

This 85"H structural powered partial glazed stacker panel has an 18"H tempered glass stacker w/ a painted frame and top cap, adjustable glides and a 67"H fabric tackable lower section.

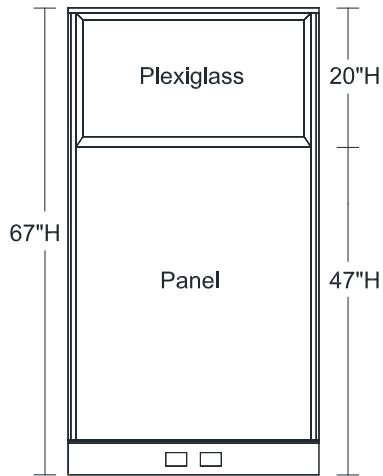
Shown w/ Version 2 Power



W/ 39”H PANEL

67”H	SKU	DESCRIPTION	LIST
	PG6724P-39	67H x 24W Partial Glazed w/39H Panel- Powered	\$2,849
	PG6730P-39	67H x 30W Partial Glazed w/39H Panel- Powered	\$2,879
	PG6736P-39	67H x 36W Partial Glazed w/39H Panel- Powered	\$2,909
	PG6742P-39	67H x 42W Partial Glazed w/39H Panel- Powered	\$3,015
	PG6748P-39	67H x 48W Partial Glazed w/39H Panel- Powered	\$3,105

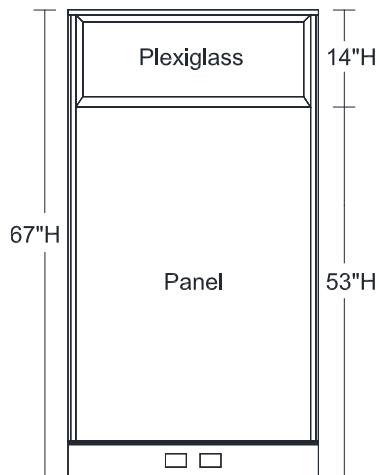
This structural powered partial glazed panel has a 28”H plexiglass insert w/ a painted frame and top cap, adjustable glides and a 39”H fabric covered lower section.



W/ 47”H PANEL

67”H	SKU	DESCRIPTION	LIST
	PG6724P-47	67H x 24W Partial Glazed w/47H Panel- Powered	\$2,849
	PG6730P-47	67H x 30W Partial Glazed w/47H Panel- Powered	\$2,879
	PG6736P-47	67H x 36W Partial Glazed w/47H Panel- Powered	\$2,909
	PG6742P-47	67H x 42W Partial Glazed w/47H Panel- Powered	\$3,015
	PG6748P-47	67H x 48W Partial Glazed w/47H Panel- Powered	\$3,105

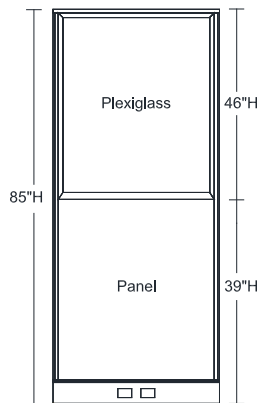
This structural powered partial glazed panel has a 20”H plexiglass insert w/ a painted frame and top cap, adjustable glides and a 47”H fabric covered lower section.



W/ 53”H PANEL

67”H	SKU	DESCRIPTION	LIST
	PG6724P-53	67H x 24W Partial Glazed w/53H Panel- Powered	\$2,849
	PG6730P-53	67H x 30W Partial Glazed w/53H Panel- Powered	\$2,879
	PG6736P-53	67H x 36W Partial Glazed w/53H Panel- Powered	\$2,909
	PG6742P-53	67H x 42W Partial Glazed w/53H Panel- Powered	\$3,015
	PG6748P-53	67H x 48W Partial Glazed w/53H Panel- Powered	\$3,105

This structural powered partial glazed panel has a 14”H plexiglass insert w/ a painted frame and top cap, adjustable glides and a 53”H fabric covered lower section.

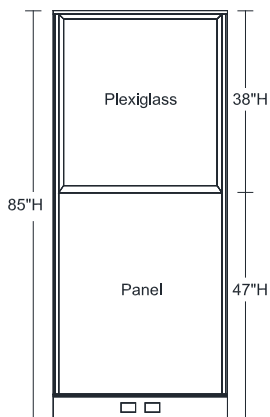


W/ 39”H PANEL

85”H	SKU	DESCRIPTION	LIST
	PG8524P-39	85H x 24W Partial Glazed w/39H Panel- Powered	\$3,045
	PG8530P-39	85H x 30W Partial Glazed w/39H Panel- Powered	\$3,085
	PG8536P-39	85H x 36W Partial Glazed w/39H Panel- Powered	\$3,139
	PG8542P-39	85H x 42W Partial Glazed w/39H Panel- Powered	\$3,219
	PG8548P-39	85H x 48W Partial Glazed w/39H Panel- Powered	\$3,305

This 85H structural powered partial glazed panel has a 46”H plexiglass insert w/ a painted frame and top cap, adjustable glides and a 39”H fabric covered lower section.

Shown w/ Version 2 Power

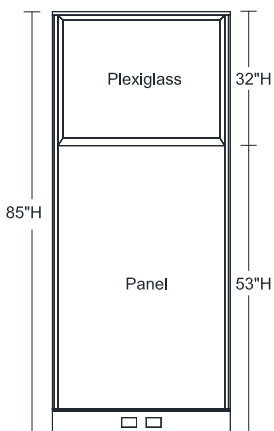


W/ 47”H PANEL

85”H	SKU	DESCRIPTION	LIST
	PG8524P-47	85H x 24W Partial Glazed w/47H Panel- Powered	\$3,045
	PG8530P-47	85H x 30W Partial Glazed w/47H Panel- Powered	\$3,085
	PG8536P-47	85H x 36W Partial Glazed w/47H Panel- Powered	\$3,139
	PG8542P-47	85H x 42W Partial Glazed w/47H Panel- Powered	\$3,219
	PG8548P-47	85H x 48W Partial Glazed w/47H Panel- Powered	\$3,305

This 85H structural powered partial glazed panel has a 38”H plexiglass insert w/ a painted frame and top cap, adjustable glides and a 47”H fabric covered lower section.

Shown w/ Version 2 Power

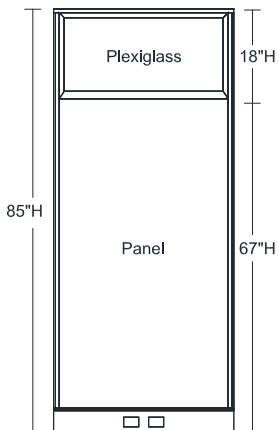


W/ 53”H PANEL

85”H	SKU	DESCRIPTION	LIST
	PG8524P-53	85H x 24W Partial Glazed w/53H Panel- Powered	\$3,045
	PG8530P-53	85H x 30W Partial Glazed w/53H Panel- Powered	\$3,085
	PG8536P-53	85H x 36W Partial Glazed w/53H Panel- Powered	\$3,139
	PG8542P-53	85H x 42W Partial Glazed w/53H Panel- Powered	\$3,219
	PG8548P-53	85H x 48W Partial Glazed w/53H Panel- Powered	\$3,305

This 85H structural powered partial glazed panel has a 32”H plexiglass insert w/ a painted frame and top cap, adjustable glides and a 53”H fabric covered lower section.

Shown w/ Version 2 Power

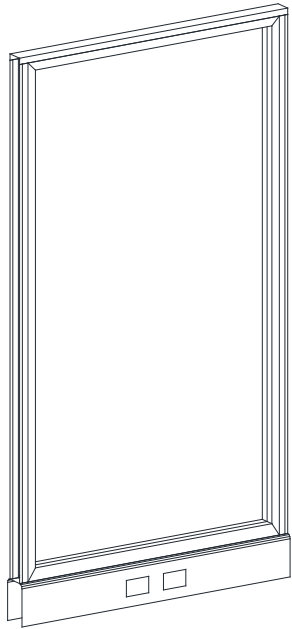


W/ 67”H PANEL

85”H	SKU	DESCRIPTION	LIST
	PG8524P-67	85H x 24W Partial Glazed w/67H Panel- Powered	\$3,045
	PG8530P-67	85H x 30W Partial Glazed w/67H Panel- Powered	\$3,085
	PG8536P-67	85H x 36W Partial Glazed w/67H Panel- Powered	\$3,139
	PG8542P-67	85H x 42W Partial Glazed w/67H Panel- Powered	\$3,219
	PG8548P-67	85H x 48W Partial Glazed w/67H Panel- Powered	\$3,305

This 85H structural powered partial glazed panel has an 18”H plexiglass insert w/ a painted frame and top cap, adjustable glides and a 67”H fabric covered lower section.

Shown w/ Version 2 Power



67"H	SKU	DESCRIPTION	LIST
	G6724P	67H x 24W Glazed Panel- Powered	\$2,245
	G6730P	67H x 30W Glazed Panel- Powered	\$2,515
	G6736P	67H x 36W Glazed Panel- Powered	\$2,779
	G6742P	67H x 42W Glazed Panel- Powered	\$3,035
	G6748P	67H x 48W Glazed Panel- Powered	\$3,305

85"H	SKU	DESCRIPTION	LIST
	G8524P	85H x 24W Glazed Panel- Powered	\$2,285
	G8530P	85H x 30W Glazed Panel- Powered	\$2,545
	G8536P	85H x 36W Glazed Panel- Powered	\$2,959
	G8542P	85H x 42W Glazed Panel- Powered	\$3,149
	G8548P	85H x 48W Glazed Panel- Powered	\$3,345

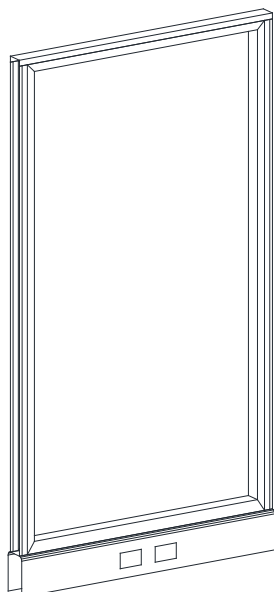
DESCRIPTION

Our structural powered glazed panels have plexiglass inserts, painted top caps and adjustable glides. Inside the powered panel lies an electrical harness that distributes double-sided, 4-circuit power w/in a cable management raceway.

OPS2 PANEL SYSTEM

Height Options: 67, 85
Width Options: 24, 30, 36, 42, 48

Add frosting bands to your door sidelights or glass panels. Check with your customer service representative about upcharges.



*Version 2 Power Shown

DESCRIPTION

Our structural powered open panels have an opening suitable for communicating and equipment sharing. Inside the powered panel lies an electrical harness that distributes double-sided, 4-circuit power w/in a cable management raceway.

OPS2 PANEL SYSTEM

Height Options: 67, 85
Width Options: 24, 30, 36, 42, 48

67"H	SKU	DESCRIPTION	LIST
	O6724P	67H x 24W Open Panel Frame- Powered	\$1,249
	O6730P	67H x 30W Open Panel Frame- Powered	\$1,285
	O6736P	67H x 36W Open Panel Frame- Powered	\$1,319
	O6742P	67H x 42W Open Panel Frame- Powered	\$1,359
	O6748P	67H x 48W Open Panel Frame- Powered	\$1,375

85"H	SKU	DESCRIPTION	LIST
	O8524P	85H x 24W Open Panel Frame- Powered	\$1,295
	O8530P	85H x 30W Open Panel Frame Powered	\$1,349
	O8536P	85H x 36W Open Panel Frame- Powered	\$1,449
	O8542P	85H x 42W Open Panel Frame- Powered	\$1,495
	O8548P	85H x 48W Open Panel Frame- Powered	\$1,535

***VERSION 2 POWER**

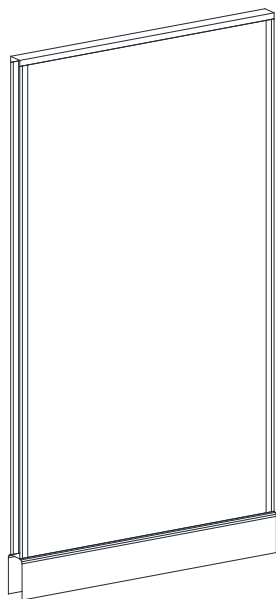
The 4-circuit power outlets are located in the middle of the base on each panel, allowing for two duplex receptacles on each side of 24"-60"W panels. Attached to the power harness are the jumpers for power continuation from panel to panel and panel through connector. Version 2 power is standard for all panels, except for Razor panels and special requests.



VERSION 1 POWER

The 4-circuit power outlets are located 10" from the end of the base on each panel, allowing for two duplex receptacles on each side of 30"-60" panels and one on each side of a 24" panel. Separate jumpers are used to connect power from one panel to another. Version 1 power is used for all Razor panels and upon specific request.





DESCRIPTION

Our structural non-powered fabric panels have fabric surfaces, painted top caps and adjustable glides.

OPS2 PANEL SYSTEM

Height Options: 32, 39, 47, 53, 62, 67, 85
Width Options: 12, 18, 24, 30, 36, 42, 48, 60

MODULAR WALLS

Height Options: 95 and 107
Width Options: 12, 18, 24, 30, 36, 42 and 48

*99 and 103 heights are available w/ the use of stackers

32"H	SKU	DESCRIPTION	LIST
	F3212	32H x 12W Fabric Panel- w/ Base	\$595
	F3218	32H x 18W Fabric Panel- w/ Base	\$619
	F3224	32H x 24W Fabric Panel- w/ Base	\$645
	F3230	32H x 30W Fabric Panel- w/ Base	\$689
	F3236	32H x 36W Fabric Panel- w/ Base	\$769
	F3242	32H x 42W Fabric Panel- w/ Base	\$819
	F3248	32H x 48W Fabric Panel- w/ Base	\$849
	F3260	32H x 60W Fabric Panel- w/ Base	\$1,065

39"H	SKU	DESCRIPTION	LIST
	F3912	39H x 12W Fabric Panel- w/ Base	\$609
	F3918	39H x 18W Fabric Panel- w/ Base	\$655
	F3924	39H x 24W Fabric Panel- w/ Base	\$655
	F3930	39H x 30W Fabric Panel- w/ Base	\$715
	F3936	39H x 36W Fabric Panel- w/ Base	\$809
	F3942	39H x 42W Fabric Panel- w/ Base	\$849
	F3948	39H x 48W Fabric Panel- w/ Base	\$895
	F3960	39H x 60W Fabric Panel- w/ Base	\$1,109

47"H	SKU	DESCRIPTION	LIST
	F4712	47H x 12W Fabric Panel- w/ Base	\$655
	F4718	47H x 18W Fabric Panel- w/ Base	\$689
	F4724	47H x 24W Fabric Panel- w/ Base	\$699
	F4730	47H x 30W Fabric Panel- w/ Base	\$769
	F4736	47H x 36W Fabric Panel- w/ Base	\$889
	F4742	47H x 42W Fabric Panel- w/ Base	\$975
	F4748	47H x 48W Fabric Panel- w/ Base	\$1,015
	F4760	47H x 60W Fabric Panel- w/ Base	\$1,249

53"H	SKU	DESCRIPTION	LIST
	F5312	53H x 12W Fabric Panel- w/ Base	\$655
	F5318	53H x 18W Fabric Panel- w/ Base	\$705
	F5324	53H x 24W Fabric Panel- w/ Base	\$709
	F5330	53H x 30W Fabric Panel- w/ Base	\$809
	F5336	53H x 36W Fabric Panel- w/ Base	\$935
	F5342	53H x 42W Fabric Panel- w/ Base	\$1,015
	F5348	53H x 48W Fabric Panel- w/ Base	\$1,089
	F5360	53H x 60W Fabric Panel- w/ Base	\$1,329

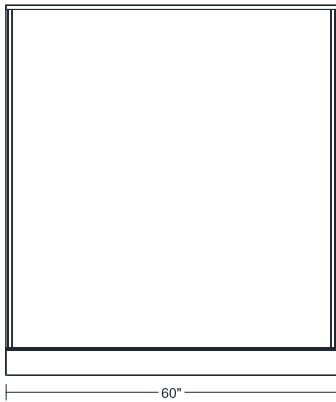
62"H	SKU	DESCRIPTION	LIST
	F6212	62H x 12W Fabric Panel- w/ Base	\$689
	F6218	62H x 18W Fabric Panel- w/ Base	\$799
	F6224	62H x 24W Fabric Panel- w/ Base	\$809
	F6230	62H x 30W Fabric Panel- w/ Base	\$905
	F6236	62H x 36W Fabric Panel- w/ Base	\$1,055
	F6242	62H x 42W Fabric Panel- w/ Base	\$1,125
	F6248	62H x 48W Fabric Panel- w/ Base	\$1,189
	F6260	62H x 60W Fabric Panel- w/ Base	\$1,479

67"H	SKU	DESCRIPTION	LIST
	F6712	67H x 12W Fabric Panel- w/ Base	\$705
	F6718	67H x 18W Fabric Panel- w/ Base	\$809
	F6724	67H x 24W Fabric Panel- w/ Base	\$825
	F6730	67H x 30W Fabric Panel- w/ Base	\$915
	F6736	67H x 36W Fabric Panel- w/ Base	\$1,065
	F6742	67H x 42W Fabric Panel- w/ Base	\$1,135
	F6748	67H x 48W Fabric Panel- w/ Base	\$1,199
	F6760	67H x 60W Fabric Panel- w/ Base	\$1,495

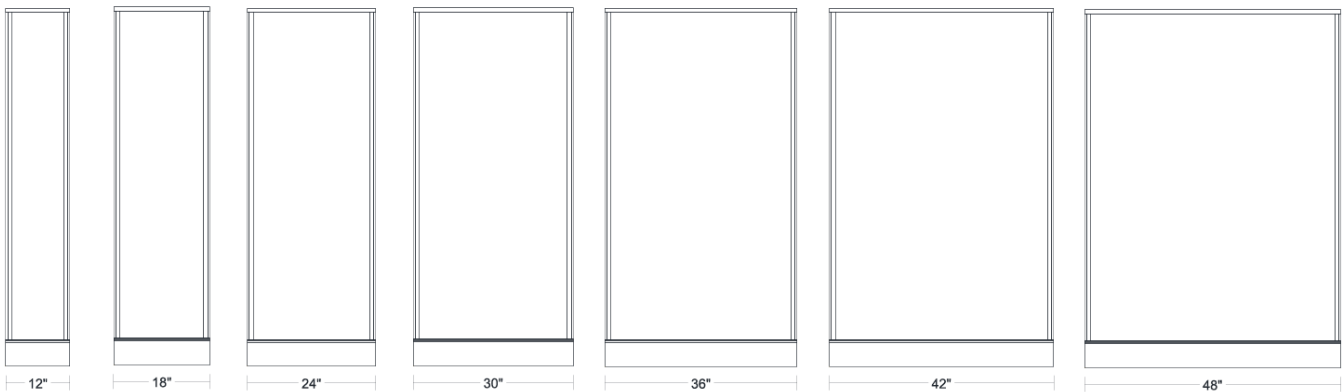
85"H	SKU	DESCRIPTION	LIST
	F8512	85H x 12W Fabric Panel- w/ Base	\$809
	F8518	85H x 18W Fabric Panel- w/ Base	\$935
	F8524	85H x 24W Fabric Panel- w/ Base	\$975
	F8530	85H x 30W Fabric Panel- w/ Base	\$1,089
	F8536	85H x 36W Fabric Panel- w/ Base	\$1,249
	F8542	85H x 42W Fabric Panel- w/ Base	\$1,319
	F8548	85H x 48W Fabric Panel- w/ Base	\$1,395
	F8560	85H x 60W Fabric Panel- w/ Base	\$1,725

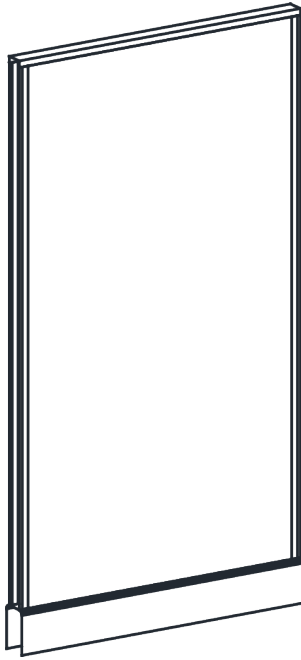
95"H	SKU	DESCRIPTION	LIST
	F9512	95H x 12W Fabric Panel- w/ Base	\$1,189
	F9518	95H x 18W Fabric Panel- w/ Base	\$1,339
	F9524	95H x 24W Fabric Panel- w/ Base	\$1,375
	F9530	95H x 30W Fabric Panel- w/ Base	\$1,519
	F9536	95H x 36W Fabric Panel- w/ Base	\$1,725
	F9542	95H x 42W Fabric Panel- w/ Base	\$1,839
	F9548	95H x 48W Fabric Panel- w/ Base	\$1,965

107"H	SKU	DESCRIPTION	LIST
	F10712	107H x 12W Fabric Panel- w/ Base	\$1,189
	F10718	107H x 18W Fabric Panel- w/ Base	\$1,339
	F10724	107H x 24W Fabric Panel- w/ Base	\$1,375
	F10730	107H x 30W Fabric Panel- w/ Base	\$1,519
	F10736	107H x 36W Fabric Panel- w/ Base	\$1,725
	F10742	107H x 42W Fabric Panel- w/ Base	\$1,839
	F10748	107H x 48W Fabric Panel- w/ Base	\$1,965



NOTE: 60"W panels are not available in 95 and 107H Modular Wall heights due to stability issues.





DESCRIPTION

Our structural non-powered fabric tackable panels have painted top caps and adjustable glides.

OPS2 PANEL SYSTEM

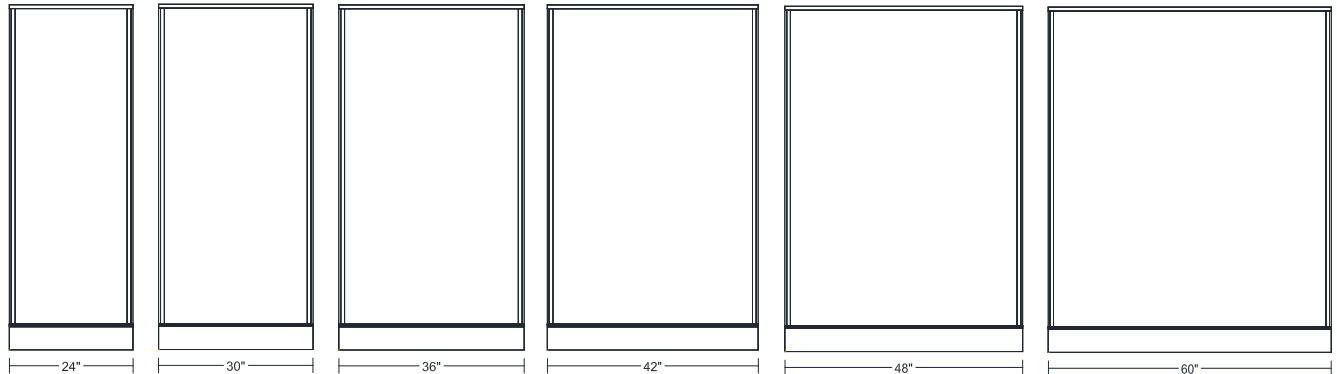
Height Options: 53, 62, 67
Width Options: 24, 30, 36, 42, 48, 60*
*60W not available on 85H

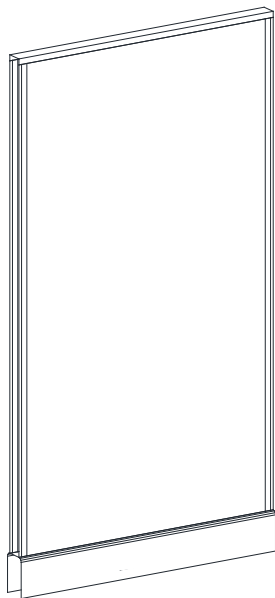
53"H	SKU	DESCRIPTION	LIST
	FT5324	53H x 24W Fabric Tackable Panel- w/ Base	\$975
	FT5330	53H x 30W Fabric Tackable Panel- w/ Base	\$1,035
	FT5336	53H x 36W Fabric Tackable Panel- w/ Base	\$1,169
	FT5342	53H x 42W Fabric Tackable Panel- w/ Base	\$1,219
	FT5348	53H x 48W Fabric Tackable Panel- w/ Base	\$1,309
	FT5360	53H x 60W Fabric Tackable Panel- w/ Base	\$1,579

62"H	SKU	DESCRIPTION	LIST
	FT6224	62H x 24W Fabric Tackable Panel- w/ Base	\$975
	FT6230	62H x 30W Fabric Tackable Panel- w/ Base	\$1,055
	FT6236	62H x 36W Fabric Tackable Panel- w/ Base	\$1,189
	FT6242	62H x 42W Fabric Tackable Panel- w/ Base	\$1,219
	FT6248	62H x 48W Fabric Tackable Panel- w/ Base	\$1,319
	FT6260	62H x 60W Fabric Tackable Panel- w/ Base	\$1,595

67"H	SKU	DESCRIPTION	LIST
	FT6724	67H x 24W Fabric Tackable Panel- w/ Base	\$1,005
	FT6730	67H x 30W Fabric Tackable Panel- w/ Base	\$1,099
	FT6736	67H x 36W Fabric Tackable Panel- w/ Base	\$1,209
	FT6742	67H x 42W Fabric Tackable Panel- w/ Base	\$1,285
	FT6748	67H x 48W Fabric Tackable Panel- w/ Base	\$1,349
	FT6760	67H x 60W Fabric Tackable Panel- w/ Base	\$1,615

85"H	SKU	DESCRIPTION	LIST
	FT8524	85H x 24W Fabric Tackable Panel- w/ Base	\$1,155
	FT8530	85H x 30W Fabric Tackable Panel- w/ Base	\$1,265
	FT8536	85H x 36W Fabric Tackable Panel- w/ Base	\$1,419
	FT8542	85H x 42W Fabric Tackable Panel- w/ Base	\$1,495
	FT8548	85H x 48W Fabric Tackable Panel- w/ Base	\$1,579





DESCRIPTION

Our structural non-powered fabric acoustic panels have sound-barrier acoustic surfaces, painted top caps and adjustable glides. Inside the powered panel lies an electrical harness that distributes double-sided, 4-circuit power w/in a cable management raceway.

OPS2 PANEL SYSTEM

Height Options: 53, 62, 67, 85
Width Options: 12, 18, 24, 30, 36, 42, 48, 60

MODULAR WALLS

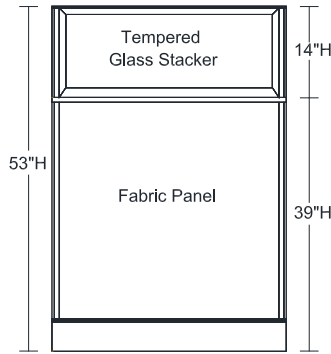
Height Options: 95, 107
Width Options: 12, 18, 24, 30, 36, 42, 48

*99 and 103 heights are available w/ the use of stackers

53"H	SKU	DESCRIPTION	LIST
	A5312	53H x 12W Acoustic Panel- w/ Base	\$875
	A5318	53H x 18W Acoustic Panel- w/ Base	\$975
	A5324	53H x 24W Acoustic Panel- w/ Base	\$975
	A5330	53H x 30W Acoustic Panel- w/ Base	\$1,065
	A5336	53H x 36W Acoustic Panel- w/ Base	\$1,179
	A5342	53H x 42W Acoustic Panel- w/ Base	\$1,249
	A5348	53H x 48W Acoustic Panel- w/ Base	\$1,319
	A5360	53H x 60W Acoustic Panel- w/ Base	\$1,595
62"H	SKU	DESCRIPTION	LIST
	A6212	62H x 12W Acoustic Panel- w/ Base	\$905
	A6218	62H x 18W Acoustic Panel- w/ Base	\$975
	A6224	62H x 24W Acoustic Panel- w/ Base	\$989
	A6230	62H x 30W Acoustic Panel- w/ Base	\$1,065
	A6236	62H x 36W Acoustic Panel- w/ Base	\$1,189
	A6242	62H x 42W Acoustic Panel- w/ Base	\$1,265
	A6248	62H x 48W Acoustic Panel- w/ Base	\$1,319
	A6260	62H x 60W Acoustic Panel- w/ Base	\$1,615
67"H	SKU	DESCRIPTION	LIST
	A6712	67H x 12W Acoustic Panel- w/ Base	\$915
	A6718	67H x 18W Acoustic Panel- w/ Base	\$1,005
	A6724	67H x 24W Acoustic Panel- w/ Base	\$1,015
	A6730	67H x 30W Acoustic Panel- w/ Base	\$1,099
	A6736	67H x 36W Acoustic Panel- w/ Base	\$1,219
	A6742	67H x 42W Acoustic Panel- w/ Base	\$1,295
	A6748	67H x 48W Acoustic Panel- w/ Base	\$1,359
	A6760	67H x 60W Acoustic Panel- w/ Base	\$1,635
85"H	SKU	DESCRIPTION	LIST
	A8512	85H x 12W Acoustic Panel- w/ Base	\$1,065
	A8518	85H x 18W Acoustic Panel- w/ Base	\$1,155
	A8524	85H x 24W Acoustic Panel- w/ Base	\$1,155
	A8530	85H x 30W Acoustic Panel- w/ Base	\$1,275
	A8536	85H x 36W Acoustic Panel- w/ Base	\$1,429
	A8542	85H x 42W Acoustic Panel- w/ Base	\$1,505
	A8548	85H x 48W Acoustic Panel- w/ Base	\$1,595
	A8560	85H x 60W Acoustic Panel- w/ Base	\$1,965
95"H	SKU	DESCRIPTION	LIST
	A9512	95H x 12W Acoustic Panel- w/ Base	\$1,295
	A9518	95H x 18W Acoustic Panel- w/ Base	\$1,429
	A9524	95H x 24W Acoustic Panel- w/ Based	\$1,495
	A9530	95H x 30W Acoustic Panel- w/ Base	\$1,649
	A9536	95H x 36W Acoustic Panel- w/ Base	\$1,855
	A9542	95H x 42W Acoustic Panel- w/ Base	\$1,979
	A9548	95H x 48W Acoustic Panel- w/ Base	\$2,119
107"H	SKU	DESCRIPTION	LIST
	A10712	107H x 12W Acoustic Panel- w/ Base	\$1,295
	A10718	107H x 18W Acoustic Panel- w/ Base	\$1,429
	A10724	107H x 24W Acoustic Panel- w/ Base	\$1,495
	A10730	107H x 30W Acoustic Panel- w/ Base	\$1,649
	A10736	107H x 36W Acoustic Panel- w/ Base	\$1,855
	A10742	107H x 42W Acoustic Panel- w/ Base	\$1,979
	A10748	107H x 48W Acoustic Panel- w/ Base	\$2,119

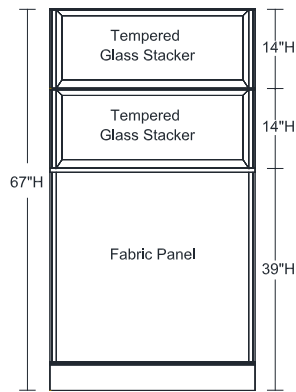
**PARTIAL GLAZED STACKER PANELS
FABRIC NON-POWERED**

NOTE: A clear tempered glass stacker is our standard. Bronzed and smoked stackers are available as plexiglass for an upcharge. Frosted stackers are available as tempered glass at an upcharge.



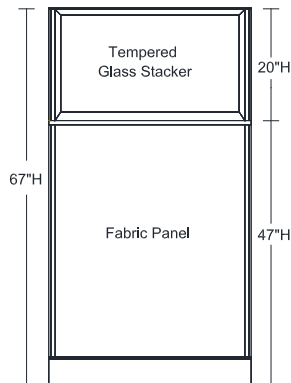
53"H	SKU	DESCRIPTION	LIST
	PGSF5324-3914	53 (39-14) x 24 Fabric Stack Glass Panel- w/Base	\$1,339
	PGSF5330-3914	53 (39-14) x 30 Fabric Stack Glass Panel- w/Base	\$1,405
	PGSF5336-3914	53 (39-14) x 36 Fabric Stack Glass Panel- w/Base	\$1,519
	PGSF5342-3914	53 (39-14) x 42 Fabric Stack Glass Panel- w/Base	\$1,765
	PGSF5348-3914	53 (39-14) x 48 Fabric Stack Glass Panel- w/Base	\$1,819
	PGSF5360-3914	53 (39-14) x 60 Fabric Stack Glass Panel- w/Base	\$2,285

This structural 53"H non-powered partial glazed stacker panel has a 14"H tempered glass stacker w/ a painted frame and top cap, adjustable glides and a 39"H fabric covered lower section.



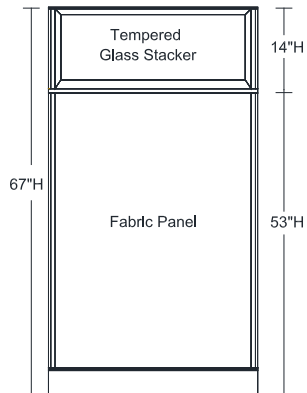
67"H	SKU	DESCRIPTION	LIST
	PGSF6724-391414	67 (39-14-14) x 24 Fabric Stack Glass Panel- w/Base	\$2,049
	PGSF6730-391414	67 (39-14-14) x 30 Fabric Stack Glass Panel- w/Base	\$2,139
	PGSF6736-391414	67 (39-14-14) x 36 Fabric Stack Glass Panel- w/Base	\$2,269
	PGSF6742-391414	67 (39-14-14) x 42 Fabric Stack Glass Panel- w/Base	\$2,709
	PGSF6748-391414	67 (39-14-14) x 48 Fabric Stack Glass Panel- w/Base	\$2,779
	PGSF6760-391414	67 (39-14-14) x 60 Fabric Stack Glass Panel- w/Base	\$3,509

This 67"H structural non-powered partial glazed stacker panel has two 14"H tempered glass stackers w/ a painted frame and top cap, adjustable glides and a 39"H fabric covered lower section.



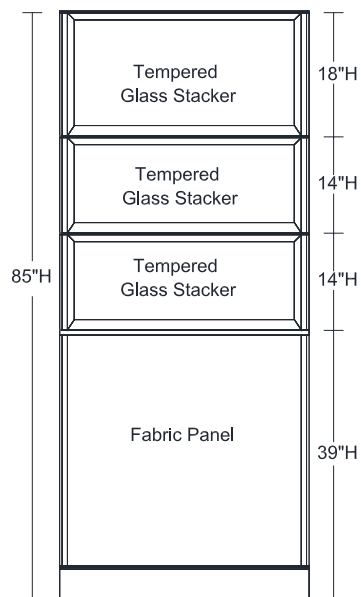
67"H	SKU	DESCRIPTION	LIST
	PGSF6724-4720	67 (47-20) x 24 Fabric Stack Glass Panel- w/Base	\$1,359
	PGSF6730-4720	67 (47-20) x 30 Fabric Stack Glass Panel- w/Base	\$1,659
	PGSF6736-4720	67 (47-20) x 36 Fabric Stack Glass Panel- w/Base	\$1,899
	PGSF6742-4720	67 (47-20) x 42 Fabric Stack Glass Panel- w/Base	\$2,105
	PGSF6748-4720	67 (47-20) x 48 Fabric Stack Glass Panel- w/Base	\$2,285
	PGSF6760-4720	67 (47-20) x 60 Fabric Stack Glass Panel- w/Base	\$2,719

This 67"H structural non-powered partial glazed stacker panel has a 20"H tempered glass stacker w/ a painted frame and top cap, adjustable glides and a 47"H fabric covered lower section.



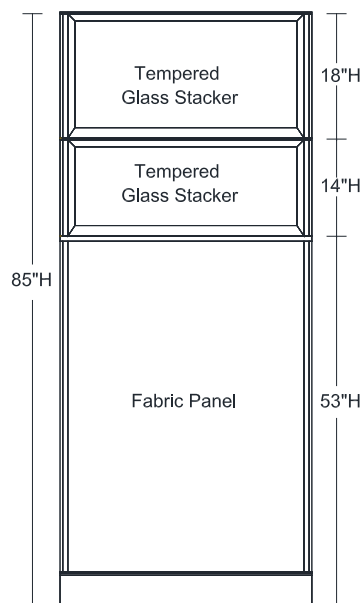
67"H	SKU	DESCRIPTION	LIST
	PGSF6724-5314	67 (53-14) x 24 Fabric Stack Glass Panel- w/Base	\$1,385
	PGSF6730-5314	67 (53-14) x 30 Fabric Stack Glass Panel- w/Base	\$1,495
	PGSF6736-5314	67 (53-14) x 36 Fabric Stack Glass Panel- w/Base	\$1,639
	PGSF6742-5314	67 (53-14) x 42 Fabric Stack Glass Panel- w/Base	\$1,909
	PGSF6748-5314	67 (53-14) x 48 Fabric Stack Glass Panel- w/Base	\$2,005
	PGSF6760-5314	67 (53-14) x 60 Fabric Stack Glass Panel- w/Base	\$2,489

This 67"H structural non-powered partial glazed stacker panel has a 14"H tempered glass stacker w/ a painted frame and top cap, adjustable glides and a 53"H fabric covered lower section.



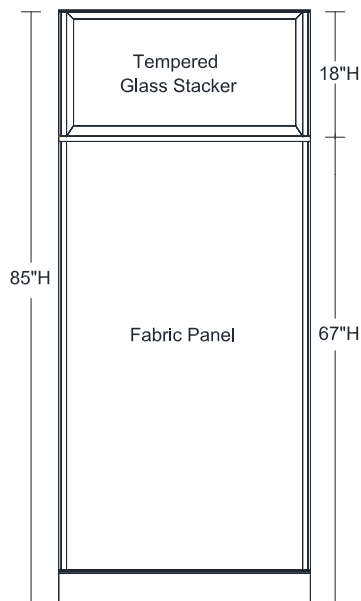
85"H	SKU	DESCRIPTION	LIST
	PGSF8524-39141418	85 (39-14-14-18) x 24 Fabric Stack Glass Panel- w/Base	\$2,769
	PGSF8530-39141418	85 (39-14-14-18) x 30 Fabric Stack Glass Panel- w/Base	\$3,055
	PGSF8536-39141418	85 (39-14-14-18) x 36 Fabric Stack Glass Panel- w/Base	\$3,305
	PGSF8542-39141418	85 (39-14-14-18) x 42 Fabric Stack Glass Panel- w/Base	\$3,879
	PGSF8548-39141418	85 (39-14-14-18) x 48 Fabric Stack Glass Panel- w/Base	\$4,085
	PGSF8560-39141418	85 (39-14-14-18) x 60 Fabric Stack Glass Panel- w/Base	\$5,035

This 85"H structural non-powered partial glazed stacker panel has two 14"H and one 18"H tempered glass stackers w/ a painted frame and top cap, adjustable glides and a 39"H fabric covered lower section.



85"H	SKU	DESCRIPTION	LIST
	PGSF8524-531418	85 (53-14-18) x 24 Fabric Stack Glass Panel- w/Base	\$2,105
	PGSF8530-531418	85 (53-14-18) x 30 Fabric Stack Glass Panel- w/Base	\$2,409
	PGSF8536-531418	85 (53-14-18) x 36 Fabric Stack Glass Panel- w/Base	\$2,675
	PGSF8542-531418	85 (53-14-18) x 42 Fabric Stack Glass Panel- w/Base	\$3,075
	PGSF8548-531418	85 (53-14-18) x 48 Fabric Stack Glass Panel- w/Base	\$3,289
	PGSF8560-531418	85 (53-14-18) x 60 Fabric Stack Glass Panel- w/Base	\$4,005

This 85"H structural non-powered partial glazed stacker panel has one 14"H and one 18"H tempered glass stacker w/ a painted frame and top cap, adjustable glides and a 53"H fabric covered lower section.

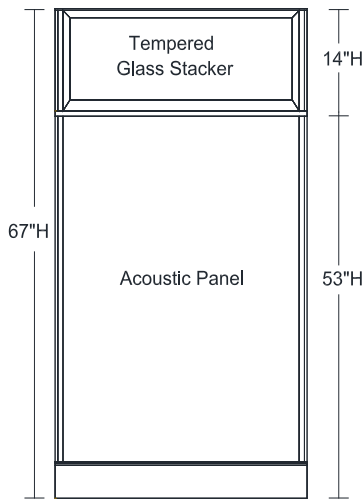


85"H	SKU	DESCRIPTION	LIST
	PGSF8524-6718	85 (67-18) x 24 Fabric Stack Glass Panel- w/Base	\$1,505
	PGSF8530-6718	85 (67-18) x 30 Fabric Stack Glass Panel- w/Base	\$1,789
	PGSF8536-6718	85 (67-18) x 36 Fabric Stack Glass Panel- w/Base	\$2,039
	PGSF8542-6718	85 (67-18) x 42 Fabric Stack Glass Panel- w/Base	\$2,235
	PGSF8548-6718	85 (67-18) x 48 Fabric Stack Glass Panel- w/Base	\$2,429
	PGSF8560-6718	85 (67-18) x 60 Fabric Stack Glass Panel- w/Base	\$2,935

This 85"H structural non-powered partial glazed stacker panel has an 18"H tempered glass stacker w/ a painted frame and top cap, adjustable glides and a 67"H fabric covered lower section.

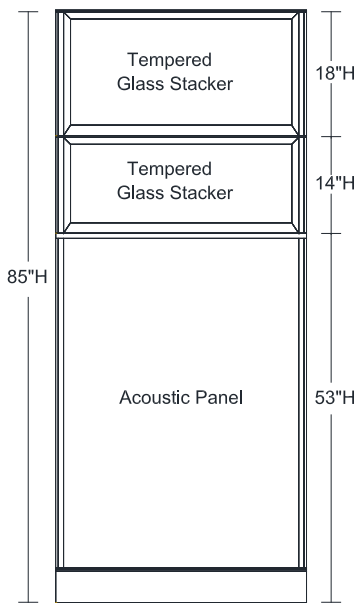
**PARTIAL GLAZED STACKER PANELS
ACOUSTIC NON-POWERED**

NOTE: A clear tempered glass stacker is our standard. Bronzed and smoked stackers are available as plexiglass for an upcharge. Frosted stackers are available as tempered glass at an upcharge.



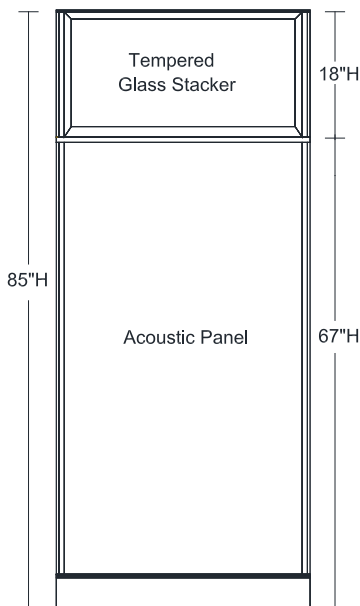
67"H	SKU	DESCRIPTION	LIST
	PGSA6724-5314	67 (53-14) x 24 Acoustic Stack Glass Panel - W/Base	\$1,635
	PGSA6730-5314	67 (53-14) x 30 Acoustic Stack Glass Panel - W/Base	\$1,725
	PGSA6736-5314	67 (53-14) x 36 Acoustic Stack Glass Panel - W/Base	\$1,869
	PGSA6742-5314	67 (53-14) x 42 Acoustic Stack Glass Panel - W/Base	\$2,119
	PGSA6748-5314	67 (53-14) x 48 Acoustic Stack Glass Panel - W/Base	\$2,199
	PGSA6760-5314	67 (53-14) x 60 Acoustic Stack Glass Panel - W/Base	\$2,739

This 67"H structural non-powered partial glazed stacker panel has a 14"H tempered glass stacker w/ a painted frame and top cap, adjustable glides and a 53"H acoustic covered lower section.



85"H	SKU	DESCRIPTION	LIST
	PGSA8524-531418	85 (53-14-18) x 24 Acoustic Stack Glass Panel - W/Base	\$2,349
	PGSA8530-531418	85 (53-14-18) x 30 Acoustic Stack Glass Panel - W/Base	\$2,645
	PGSA8536-531418	85 (53-14-18) x 36 Acoustic Stack Glass Panel - W/Base	\$2,895
	PGSA8542-531418	85 (53-14-18) x 42 Acoustic Stack Glass Panel - W/Base	\$3,289
	PGSA8548-531418	85 (53-14-18) x 48 Acoustic Stack Glass Panel - W/Base	\$3,509
	PGSA8560-531418	85 (53-14-18) x 60 Acoustic Stack Glass Panel - W/Base	\$4,249

This 85"H structural non-powered partial glazed stacker panel has one 14"H and one 18"H tempered glass stacker w/ a painted frame and top cap, adjustable glides and a 53"H acoustic covered lower section.

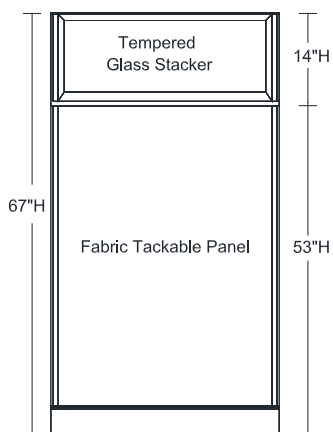


85"H	SKU	DESCRIPTION	LIST
	PGSA8524-6718	85 (67-18) x 24 Acoustic Stack Glass Panel - W/Base	\$1,679
	PGSA8530-6718	85 (67-18) x 30 Acoustic Stack Glass Panel - W/Base	\$1,955
	PGSA8536-6718	85 (67-18) x 36 Acoustic Stack Glass Panel - W/Base	\$2,189
	PGSA8542-6718	85 (67-18) x 42 Acoustic Stack Glass Panel - W/Base	\$2,379
	PGSA8548-6718	85 (67-18) x 48 Acoustic Stack Glass Panel - W/Base	\$2,575
	PGSA8560-6718	85 (67-18) x 60 Acoustic Stack Glass Panel - W/Base	\$3,055

This 85"H structural non-powered non-partial glazed stacker panel has an 18"H tempered glass stacker w/ a painted frame and top cap, adjustable glides and a 67"H acoustic covered lower section.

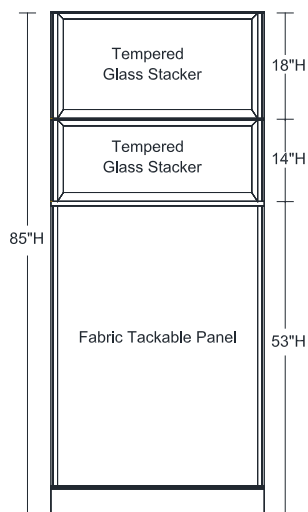
PARTIAL GLAZED STACKER PANELS FABRIC TACKABLE NON-POWERED

NOTE: A clear tempered glass stacker is our standard. Bronzed and smoked stackers are available as plexiglass for an upcharge. Frosted stackers are available as tempered glass at an upcharge.



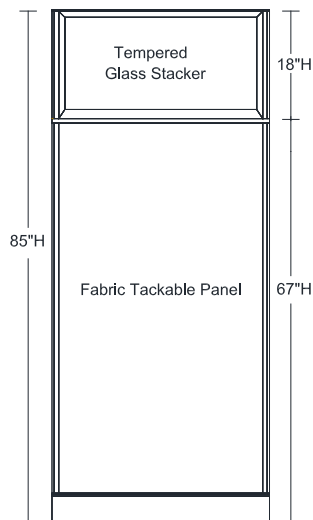
67"H	SKU	DESCRIPTION	LIST
	PGSFT6724-5314	67 (53-14) x 24 Fabric Tackable Stack Glass Panel- w/Base	\$1,625
	PGSFT6730-5314	67 (53-14) x 30 Fabric Tackable Stack Glass Panel- w/Base	\$1,715
	PGSFT6736-5314	67 (53-14) x 36 Fabric Tackable Stack Glass Panel- w/Base	\$1,839
	PGSFT6742-5314	67 (53-14) x 42 Fabric Tackable Stack Glass Panel- w/Base	\$2,105
	PGSFT6748-5314	67 (53-14) x 48 Fabric Tackable Stack Glass Panel- w/Base	\$2,189
	PGSFT6760-5314	67 (53-14) x 60 Fabric Tackable Stack Glass Panel- w/Base	\$2,709

This 67"H structural non-powered partial glazed stacker panel has a 14"H tempered glass stacker w/ a painted frame and top cap, adjustable glides and a 53"H fabric tackable covered lower section.



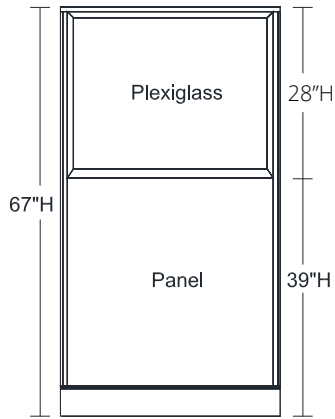
85"H	SKU	DESCRIPTION	LIST
	PGSFT8524-531418	85 (53-14-18) x 24 Fabric Tackable Stack Glass Panel- w/Base	\$2,339
	PGSFT8530-531418	85 (53-14-18) x 30 Fabric Tackable Stack Glass Panel- w/Base	\$2,635
	PGSFT8536-531418	85 (53-14-18) x 36 Fabric Tackable Stack Glass Panel- w/Base	\$2,879
	PGSFT8542-531418	85 (53-14-18) x 42 Fabric Tackable Stack Glass Panel- w/Base	\$3,255
	PGSFT8548-531418	85 (53-14-18) x 48 Fabric Tackable Stack Glass Panel- w/Base	\$3,479
	PGSFT8560-531418	85 (53-14-18) x 60 Fabric Tackable Stack Glass Panel - W/Base	\$4,225

This 85"H structural non-powered partial glazed stacker panel has one 14"H and one 18"H tempered glass stacker w/ a painted frame and top cap, adjustable glides and a 53"H fabric tackable covered lower section.



85"H	SKU	DESCRIPTION	LIST
	PGSFT8524-6718	85 (67-18) x 24 Fabric Tackable Stack Glass Panel- w/Base	\$1,659
	PGSFT8530-6718	85 (67-18) x 30 Fabric Tackable Stack Glass Panel- w/Base	\$1,929
	PGSFT8536-6718	85 (67-18) x 36 Fabric Tackable Stack Glass Panel- w/Base	\$2,175
	PGSFT8542-6718	85 (67-18) x 42 Fabric Tackable Stack Glass Panel- w/Base	\$2,349
	PGSFT8548-6718	85 (67-18) x 48 Fabric Tackable Stack Glass Panel- w/Base	\$2,555
	PGSFT8560-6718	85 (67-18) x 60 Fabric Tackable Stack Glass Panel - W/Base	\$3,035

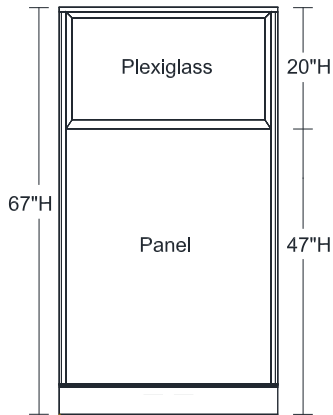
This 85"H structural non-powered partial glazed stacker panel has an 18"H tempered glass stacker w/ a painted frame and top cap, adjustable glides and a 67"H fabric tackable covered lower section.



W/ 39"H PANEL

67"H	SKU	DESCRIPTION	LIST
	PG6724-39	67H x 24W Partial Glazed w/39H Panel- w/Base	\$2,225
	PG6730-39	67H x 30W Partial Glazed w/39H Panel- w/Base	\$2,285
	PG6736-39	67H x 36W Partial Glazed w/39H Panel- w/Base	\$2,339
	PG6742-39	67H x 42W Partial Glazed w/39H Panel- w/Base	\$2,419
	PG6748-39	67H x 48W Partial Glazed w/39H Panel- w/Base	\$2,499

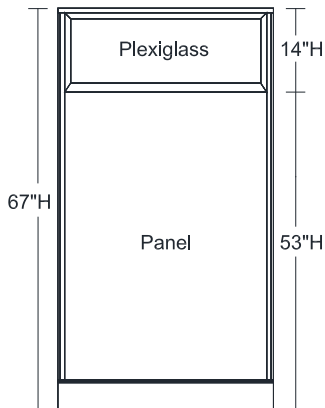
This structural non-powered partial glazed panel has a 28"H plexiglass insert w/ a painted frame and top cap, adjustable glides and a 39"H fabric covered lower section.



W/ 47"H PANEL

67"H	SKU	DESCRIPTION	LIST
	PG6724-47	67H x 24W Partial Glazed w/47H Panel- w/Base	\$2,225
	PG6730-47	67H x 30W Partial Glazed w/47H Panel- w/Base	\$2,285
	PG6736-47	67H x 36W Partial Glazed w/47H Panel- w/Base	\$2,339
	PG6742-47	67H x 42W Partial Glazed w/47H Panel- w/Base	\$2,419
	PG6748-47	67H x 48W Partial Glazed w/47H Panel- w/Base	\$2,499

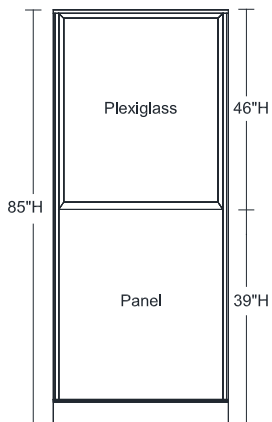
This structural non-powered partial glazed panel has a 20"H plexiglass insert w/ a painted frame and top cap, adjustable glides and a 47"H fabric covered lower section.



W/ 53"H PANEL

67"H	SKU	DESCRIPTION	LIST
	PG6724-53	67H x 24W Partial Glazed w/53H Panel- w/Base	\$2,225
	PG6730-53	67H x 30W Partial Glazed w/53H Panel- w/Base	\$2,285
	PG6736-53	67H x 36W Partial Glazed w/53H Panel- w/Base	\$2,339
	PG6742-53	67H x 42W Partial Glazed w/53H Panel- w/Base	\$2,419
	PG6748-53	67H x 48W Partial Glazed w/53H Panel- w/Base	\$2,499

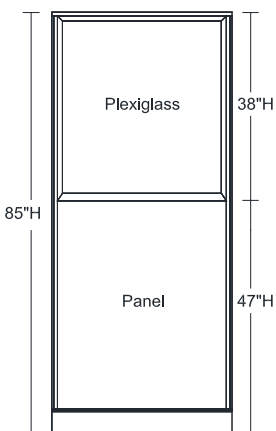
This structural non-powered partial glazed panel has a 14"H plexiglass insert w/ a painted frame and top cap, adjustable glides and a 53"H fabric covered lower section.



W/ 39" H PANEL

85"H	SKU	DESCRIPTION	LIST
	PG8524-39	85H x 24W Partial Glazed w/39H Panel- w/Base	\$2,369
	PG8530-39	85H x 30W Partial Glazed w/39H Panel- w/Base	\$2,439
	PG8536-39	85H x 36W Partial Glazed w/39H Panel- w/Base	\$2,525
	PG8542-39	85H x 42W Partial Glazed w/39H Panel- w/Base	\$2,599
	PG8548-39	85H x 48W Partial Glazed w/39H Panel- w/Base	\$2,655

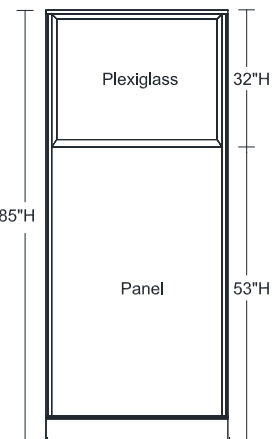
This 85H structural non-powered partial glazed panel has a 46"H plexiglass insert w/ a painted frame and top cap, adjustable glides and a 39"H fabric covered lower section.



W/ 47" H PANEL

85"H	SKU	DESCRIPTION	LIST
	PG8524-47	85H x 24W Partial Glazed w/47H Panel- w/Base	\$2,369
	PG8530-47	85H x 30W Partial Glazed w/47H Panel- w/Base	\$2,439
	PG8536-47	85H x 36W Partial Glazed w/47H Panel- w/Base	\$2,525
	PG8542-47	85H x 42W Partial Glazed w/47H Panel- w/Base	\$2,599
	PG8548-47	85H x 48W Partial Glazed w/47H Panel- w/Base	\$2,655

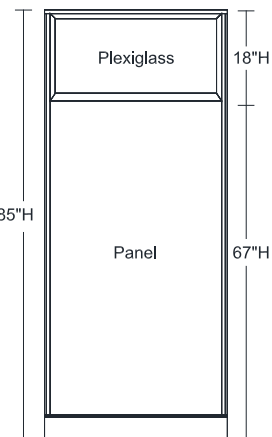
This 85H structural non-powered partial glazed panel has a 38"H plexiglass insert w/ a painted frame and top cap, adjustable glides and a 47"H fabric covered lower section.



W/ 53" H PANEL

85"H	SKU	DESCRIPTION	LIST
	PG8524-53	85H x 24W Partial Glazed w/53H Panel- w/Base	\$2,369
	PG8530-53	85H x 30W Partial Glazed w/53H Panel- w/Base	\$2,439
	PG8536-53	85H x 36W Partial Glazed w/53H Panel- w/Base	\$2,525
	PG8542-53	85H x 42W Partial Glazed w/53H Panel- w/Base	\$2,599
	PG8548-53	85H x 48W Partial Glazed w/53H Panel- w/Base	\$2,655

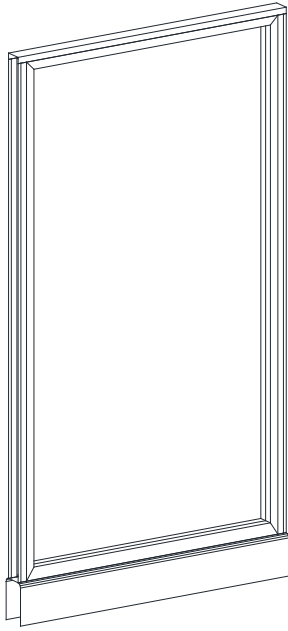
This 85H structural non-powered partial glazed panel has a 32"H plexiglass insert w/ a painted frame and top cap, adjustable glides and a 53"H fabric covered lower section.



W/ 67" H PANEL

85"H	SKU	DESCRIPTION	LIST
	PG8524-67	85H x 24W Partial Glazed w/67H Panel- w/Base	\$2,369
	PG8530-67	85H x 30W Partial Glazed w/67H Panel- w/Base	\$2,439
	PG8536-67	85H x 36W Partial Glazed w/67H Panel- w/Base	\$2,525
	PG8542-67	85H x 42W Partial Glazed w/67H Panel- w/Base	\$2,599
	PG8548-67	85H x 48W Partial Glazed w/67H Panel- w/Base	\$2,655

This 85H structural non-powered partial glazed panel has an 18"H plexiglass insert w/ a painted frame and top cap, adjustable glides and a 67"H fabric covered lower section.



67"H	SKU	DESCRIPTION	LIST
	G6724	67H x 24W Glazed Panel- w/Base	\$1,565
	G6730	67H x 30W Glazed Panel- w/Base	\$1,829
	G6736	67H x 36W Glazed Panel- w/Base	\$2,155
	G6742	67H x 42W Glazed Panel- w/Base	\$2,325
	G6748	67H x 48W Glazed Panel- w/Base	\$2,499

85"H	SKU	DESCRIPTION	LIST
	G8524	85H x 24W Glazed Panel- w/Base	\$1,889
	G8530	85H x 30W Glazed Panel- w/Base	\$2,155
	G8536	85H x 36W Glazed Panel- w/Base	\$2,555
	G8542	85H x 42W Glazed Panel- w/Base	\$2,759
	G8548	85H x 48W Glazed Panel- w/Base	\$2,959

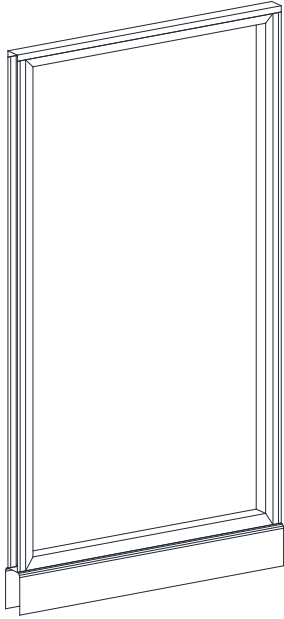
DESCRIPTION

Our structural non-powered glazed panels have plexiglass inserts, painted top caps and adjustable glides.

OPS2 PANEL SYSTEM

Height Options: 67, 85

Width Options: 24, 30, 36, 42, 48



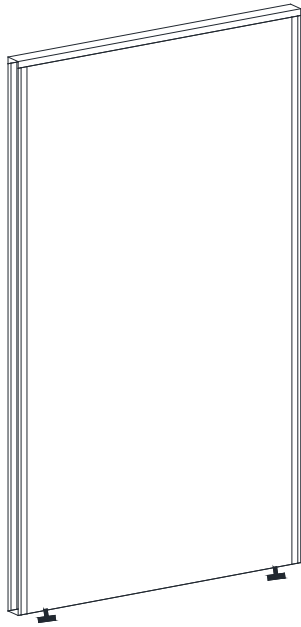
67"H	SKU	DESCRIPTION	LIST
	O6724	67H x 24W Open Frame Panel- w/Base	\$809
	O6730	67H x 30W Open Frame Panel- w/Base	\$835
	O6736	67H x 36W Open Frame Panel- w/Base	\$885
	O6742	67H x 42W Open Frame Panel- w/Base	\$905
	O6748	67H x 48W Open Frame Panel- w/Base	\$935

85"H	SKU	DESCRIPTION	LIST
	O8524	85H x 24W Open Frame Panel- w/Base	\$849
	O8530	85H x 30W Open Frame Panel- w/Base	\$905
	O8536	85H x 36W Open Frame Panel- w/Base	\$999
	O8542	85H x 42W Open Frame Panel w/Base	\$1,055
	O8548	85H x 48W Open Frame Panel- w/Base	\$1,099

DESCRIPTION

Our structural non-powered open panels have an opening suitable for communicating and equipment sharing.

OPS2 PANEL SYSTEM
 Height Options: 67, 85
 Width Options: 24, 30, 36, 42, 48



DESCRIPTION

Our structural non-powered fabric panels w/out base have fabric surfaces, painted top caps and adjustable glides.

Height Options: 27, 34, 42, 48, 57, 62, 80
Width Options: 12, 18, 24, 30, 36, 42, 48, 60

27"H	SKU	DESCRIPTION	LIST
	F2712	27H x 12W Fabric Panel- No Base	\$529
	F2718	27H x 18W Fabric Panel- No Base	\$545
	F2724	27H x 24W Fabric Panel- No Base	\$555
	F2730	27H x 30W Fabric Panel- No Base	\$619
	F2736	27H x 36W Fabric Panel- No Base	\$655
	F2742	27H x 42W Fabric Panel- No Base	\$709
	F2748	27H x 48W Fabric Panel- No Base	\$749
	F2760	27H x 60W Fabric Panel- No Base	\$935

34"H	SKU	DESCRIPTION	LIST
	F3412	34H x 12W Fabric Panel- No Base	\$545
	F3418	34H x 18W Fabric Panel- No Base	\$565
	F3424	34H x 24W Fabric Panel- No Base	\$575
	F3430	34H x 30W Fabric Panel- No Base	\$645
	F3436	34H x 36W Fabric Panel- No Base	\$689
	F3442	34H x 42W Fabric Panel- No Base	\$729
	F3448	34H x 48W Fabric Panel- No Base	\$799
	F3460	34H x 60W Fabric Panel- No Base	\$975

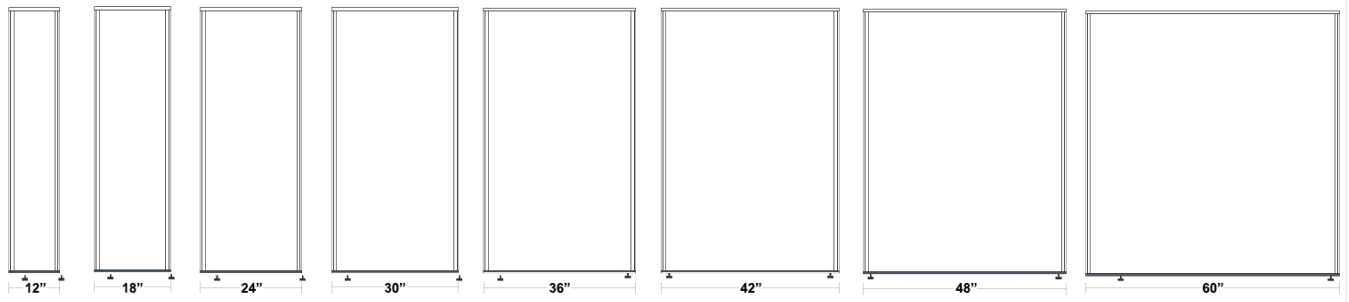
42"H	SKU	DESCRIPTION	LIST
	F4212	42H x 12W Fabric Panel- No Base	\$565
	F4218	42H x 18W Fabric Panel- No Base	\$565
	F4224	42H x 24W Fabric Panel- No Base	\$595
	F4230	42H x 30W Fabric Panel- No Base	\$675
	F4236	42H x 36W Fabric Panel- No Base	\$739
	F4242	42H x 42W Fabric Panel- No Base	\$819
	F4248	42H x 48W Fabric Panel- No Base	\$905
	F4260	42H x 60W Fabric Panel- No Base	\$1,099

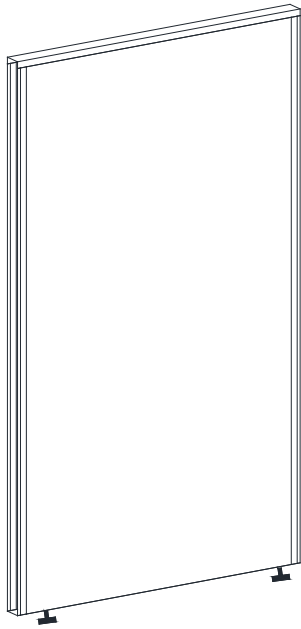
48"H	SKU	DESCRIPTION	LIST
	F4812	48H x 12W Fabric Panel- No Base	\$595
	F4818	48H x 18W Fabric Panel- No Base	\$619
	F4824	48H x 24W Fabric Panel- No Base	\$645
	F4830	48H x 30W Fabric Panel- No Base	\$709
	F4836	48H x 36W Fabric Panel- No Base	\$799
	F4842	48H x 42W Fabric Panel- No Base	\$889
	F4848	48H x 48W Fabric Panel- No Base	\$965
	F4860	48H x 60W Fabric Panel- No Base	\$1,175

57"H	SKU	DESCRIPTION	LIST
	F5712	57H x 12W Fabric Panel- No Base	\$619
	F5718	57H x 18W Fabric Panel- No Base	\$655
	F5724	57H x 24W Fabric Panel- No Base	\$689
	F5730	57H x 30W Fabric Panel- No Base	\$769
	F5736	57H x 36W Fabric Panel- No Base	\$849
	F5742	57H x 42W Fabric Panel- No Base	\$935
	F5748	57H x 48W Fabric Panel- No Base	\$1,025
	F5760	57H x 60W Fabric Panel- No Base	\$1,275

62"H	SKU	DESCRIPTION	LIST
	F6212NB	62H x 12W Fabric Panel- No Base	\$645
	F6218NB	62H x 18W Fabric Panel- No Base	\$689
	F6224NB	62H x 24W Fabric Panel- No Base	\$739
	F6230NB	62H x 30W Fabric Panel- No Base	\$835
	F6236NB	62H x 36W Fabric Panel- No Base	\$915
	F6242NB	62H x 42W Fabric Panel- No Base	\$1,005
	F6248NB	62H x 48W Fabric Panel- No Base	\$1,099
	F6260NB	62H x 60W Fabric Panel- No Base	\$1,339

80"H	SKU	DESCRIPTION	LIST
	F8012	80H x 12W Fabric Panel- No Base	\$709
	F8018	80H x 18W Fabric Panel- No Base	\$799
	F8024	80H x 24W Fabric Panel- No Base	\$875
	F8030	80H x 30W Fabric Panel- No Base	\$965
	F8036	80H x 36W Fabric Panel- No Base	\$1,065
	F8042	80H x 42W Fabric Panel- No Base	\$1,155
	F8048	80H x 48W Fabric Panel- No Base	\$1,275
	F8060	80H x 60W Fabric Panel- No Base	\$1,555





DESCRIPTION

Our structural non-powered fabric tackable panels w/out base have painted top caps and adjustable glides.

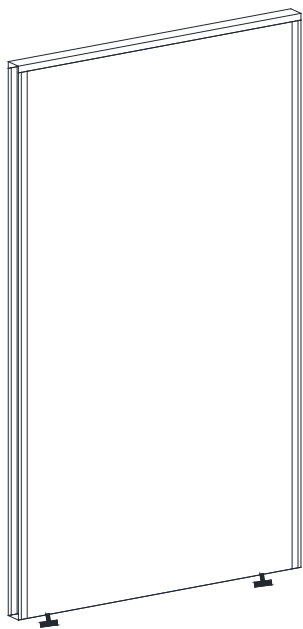
Height Options: 48, 57, 62, 80
Width Options: 24, 30, 36, 42, 48, 60*
*60W not available on 80H

48"H	SKU	DESCRIPTION	LIST
	FT4824	48H x 24W Fabric Tackable Panel- No Base	\$895
	FT4830	48H x 30W Fabric Tackable Panel- No Base	\$975
	FT4836	48H x 36W Fabric Tackable Panel- No Base	\$1,035
	FT4842	48H x 42W Fabric Tackable Panel- No Base	\$1,125
	FT4848	48H x 48W Fabric Tackable Panel- No Base	\$1,189
	FT4860	48H x 60W Fabric Tackable Panel- No Base	\$1,429

57"H	SKU	DESCRIPTION	LIST
	FT5724	57H x 24W Fabric Tackable Panel- No Base	\$915
	FT5730	57H x 30W Fabric Tackable Panel- No Base	\$975
	FT5736	57H x 36W Fabric Tackable Panel- No Base	\$1,065
	FT5742	57H x 42W Fabric Tackable Panel- No Base	\$1,135
	FT5748	57H x 48W Fabric Tackable Panel- No Base	\$1,209
	FT5760	57H x 60W Fabric Tackable Panel- No Base	\$1,459

62"H	SKU	DESCRIPTION	LIST
	FT6224NB	62H x 24W Fabric Tackable Panel- No Base	\$915
	FT6230NB	62H x 30W Fabric Tackable Panel- No Base	\$995
	FT6236NB	62H x 36W Fabric Tackable Panel- No Base	\$1,065
	FT6242NB	62H x 42W Fabric Tackable Panel- No Base	\$1,145
	FT6248NB	62H x 48W Fabric Tackable Panel- No Base	\$1,219
	FT6260NB	62H x 60W Fabric Tackable Panel- No Base	\$1,469

80"H	SKU	DESCRIPTION	LIST
	FT8024	80H x 24W Fabric Tackable Panel- No Base	\$1,055
	FT8030	80H x 30W Fabric Tackable Panel- No Base	\$1,155
	FT8036	80H x 36W Fabric Tackable Panel- No Base	\$1,285
	FT8042	80H x 42W Fabric Tackable Panel- No Base	\$1,359
	FT8048	80H x 48W Fabric Tackable Panel- No Base	\$1,459
	FT8060	80H x 60W Fabric Tackable Panel- No Base	\$1,639



DESCRIPTION

Our structural non-powered fabric acoustic panels w/out base have sound-barrier acoustic surfaces, painted top caps and adjustable glides.

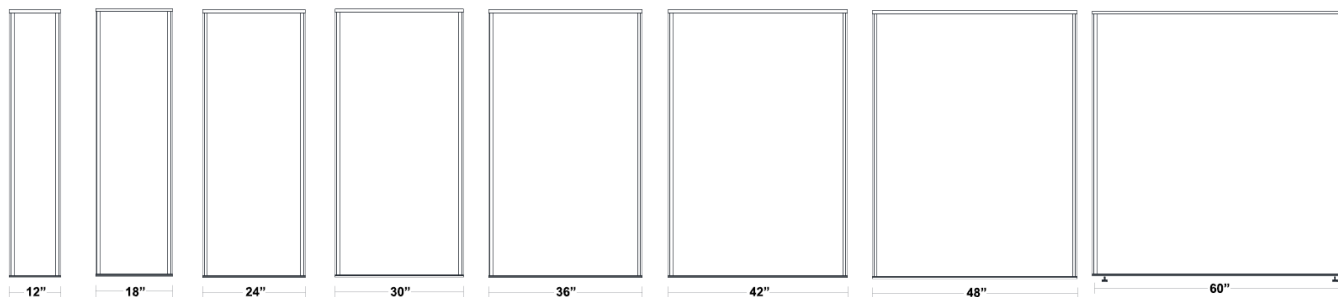
Height Options: 48, 57, 62, 80
Width Options: 12, 18, 24, 30, 36, 42, 48, 60

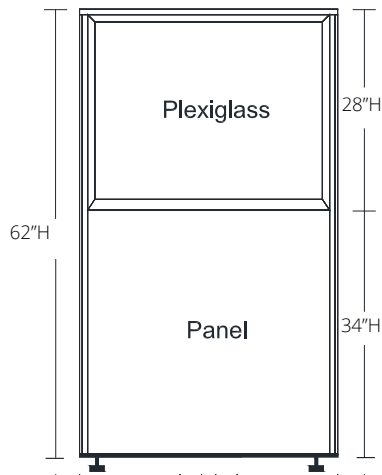
48"H	SKU	DESCRIPTION	LIST
	A4812	48H x 12W Acoustic Panel- No Base	\$809
	A4818	48H x 18W Acoustic Panel- No Base	\$849
	A4824	48H x 24W Acoustic Panel- No Base	\$905
	A4830	48H x 30W Acoustic Panel- No Base	\$975
	A4836	48H x 36W Acoustic Panel- No Base	\$1,065
	A4842	48H x 42W Acoustic Panel- No Base	\$1,135
	A4848	48H x 48W Acoustic Panel- No Base	\$1,199
	A4860	48H x 60W Acoustic Panel- No Base	\$1,459

57"H	SKU	DESCRIPTION	LIST
	A5712	57H x 12W Acoustic Panel- No Base	\$825
	A5718	57H x 18W Acoustic Panel- No Base	\$885
	A5724	57H x 24W Acoustic Panel- No Base	\$905
	A5730	57H x 30W Acoustic Panel- No Base	\$995
	A5736	57H x 36W Acoustic Panel- No Base	\$1,065
	A5742	57H x 42W Acoustic Panel- No Base	\$1,145
	A5748	57H x 48W Acoustic Panel- No Base	\$1,209
	A5760	57H x 60W Acoustic Panel- No Base	\$1,469

62"H	SKU	DESCRIPTION	LIST
	A6212NB	62H x 12W Acoustic Panel- No Base	\$849
	A6218NB	62H x 18W Acoustic Panel- No Base	\$889
	A6224NB	62H x 24W Acoustic Panel- No Base	\$935
	A6230NB	62H x 30W Acoustic Panel- No Base	\$999
	A6236NB	62H x 36W Acoustic Panel- No Base	\$1,089
	A6242NB	62H x 42W Acoustic Panel- No Base	\$1,155
	A6248NB	62H x 48W Acoustic Panel- No Base	\$1,219
	A6260NB	62H x 60W Acoustic Panel- No Base	\$1,479

80"H	SKU	DESCRIPTION	LIST
	A8012	80H x 12W Acoustic Panel- No Base	\$975
	A8018	80H x 18W Acoustic Panel- No Base	\$1,015
	A8024	80H x 24W Acoustic Panel- No Base	\$1,065
	A8030	80H x 30W Acoustic Panel- No Base	\$1,155
	A8036	80H x 36W Acoustic Panel- No Base	\$1,285
	A8042	80H x 42W Acoustic Panel- No Base	\$1,359
	A8048	80H x 48W Acoustic Panel- No Base	\$1,459
	A8060	80H x 60W Acoustic Panel- No Base	\$1,779

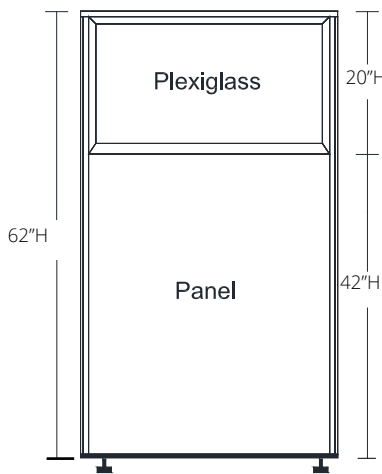




W/ 34"H PANEL

62"H	SKU	DESCRIPTION	LIST
	PG6224-34	62H x 24W Partial Glazed w/34H Panel- No Base	\$1,929
	PG6230-34	62H x 30W Partial Glazed w/34H Panel- No Base	\$2,025
	PG6236-34	62H x 36W Partial Glazed w/34H Panel- No Base	\$2,095
	PG6242-34	62H x 42W Partial Glazed w/34H Panel- No Base	\$2,165
	PG6248-34	62H x 48W Partial Glazed w/34H Panel- No Base	\$2,225

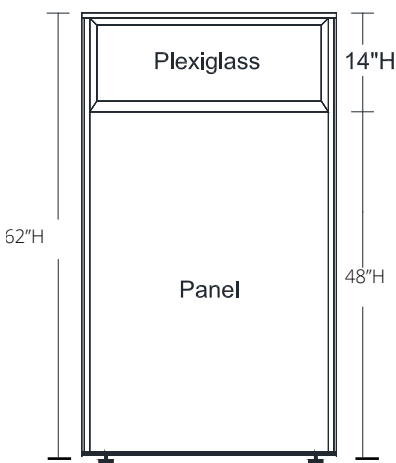
This structural non-powered partial glazed panel w/out base has a 28"H plexiglass insert w/ a painted frame and top cap, adjustable glides and a 34"H fabric covered lower section.



W/ 42"H PANEL

62"H	SKU	DESCRIPTION	LIST
	PG6224-42	62H x 24W Partial Glazed w/42H Panel- No Base	\$1,929
	PG6230-42	62H x 30W Partial Glazed w/42H Panel- No Base	\$2,025
	PG6236-42	62H x 36W Partial Glazed w/42H Panel- No Base	\$2,095
	PG6242-42	62H x 42W Partial Glazed w/42H Panel- No Base	\$2,165
	PG6248-42	62H x 48W Partial Glazed w/42H Panel- No Base	\$2,225

This structural non-powered partial glazed panel w/out base has a 20"H plexiglass insert w/ a painted frame and top cap, adjustable glides and a 42"H fabric covered lower section.



W/ 48"H PANEL

62"H	SKU	DESCRIPTION	LIST
	PG6224-48	62H x 24W Partial Glazed w/48H Panel- No Base	\$1,929
	PG6230-48	62H x 30W Partial Glazed w/48H Panel- No Base	\$2,025
	PG6236-48	62H x 36W Partial Glazed w/48H Panel- No Base	\$2,095
	PG6242-48	62H x 42W Partial Glazed w/48H Panel- No Base	\$2,165
	PG6248-48	62H x 48W Partial Glazed w/48H Panel- No Base	\$2,225

This structural non-powered partial glazed panel w/out base has a 14"H plexiglass insert w/ a painted frame and top cap, adjustable glides and a 48"H fabric covered lower section.

W/ 34”H PANEL

80”H	SKU	DESCRIPTION	LIST
	PG8024-34	80H x 24W Partial Glazed w/34H Panel- No Base	\$2,065
	PG8030-34	80H x 30W Partial Glazed w/34H Panel- No Base	\$2,149
	PG8036-34	80H x 36W Partial Glazed w/34H Panel- No Base	\$2,235
	PG8042-34	80H x 42W Partial Glazed w/34H Panel- No Base	\$2,315
	PG8048-34	80H x 48W Partial Glazed w/34H Panel- No Base	\$2,385

This 80H structural non-powered partial glazed panel has a 46”H plexiglass insert w/ a painted frame and top cap, adjustable glides and a 34”H fabric covered lower section.

W/ 42”H PANEL

80”H	SKU	DESCRIPTION	LIST
	PG8024-42	80H x 24W Partial Glazed w/42H Panel- No Base	\$2,065
	PG8030-42	80H x 30W Partial Glazed w/42H Panel- No Base	\$2,149
	PG8036-42	80H x 36W Partial Glazed w/42H Panel- No Base	\$2,235
	PG8042-42	80H x 42W Partial Glazed w/42H Panel- No Base	\$2,315
	PG8048-42	80H x 48W Partial Glazed w/42H Panel- No Base	\$2,385

This 80H structural non-powered partial glazed panel has a 38”H plexiglass insert w/ a painted frame and top cap, adjustable glides and a 42”H fabric covered lower section.

W/ 48”H PANEL

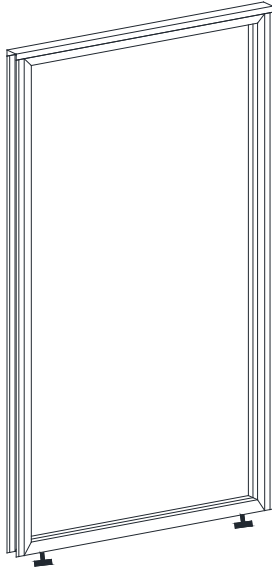
80”H	SKU	DESCRIPTION	LIST
	PG8024-48	80H x 24W Partial Glazed w/48H Panel- w/Base	\$2,065
	PG8030-48	80H x 30W Partial Glazed w/48H Panel- w/Base	\$2,149
	PG8036-48	80H x 36W Partial Glazed w/48H Panel- w/Base	\$2,235
	PG8042-48	80H x 42W Partial Glazed w/48H Panel- w/Base	\$2,315
	PG8048-48	80H x 48W Partial Glazed w/48H Panel- w/Base	\$2,385

This 80H structural non-powered partial glazed panel has a 32”H plexiglass insert w/ a painted frame and top cap, adjustable glides and a 48”H fabric covered lower section.

W/ 62”H PANEL

80”H	SKU	DESCRIPTION	LIST
	PG8024-62	80H x 24W Partial Glazed w/62H Panel- w/Base	\$2,065
	PG8030-62	80H x 30W Partial Glazed w/62H Panel- w/Base	\$2,149
	PG8036-62	80H x 36W Partial Glazed w/62H Panel- w/Base	\$2,235
	PG8042-62	80H x 42W Partial Glazed w/62H Panel- w/Base	\$2,315
	PG8048-62	80H x 48W Partial Glazed w/62H Panel- w/Base	\$2,385

This 80H structural non-powered partial glazed panel has an 18”H plexiglass insert w/ a painted frame and top cap, adjustable glides and a 62”H fabric covered lower section.



DESCRIPTION

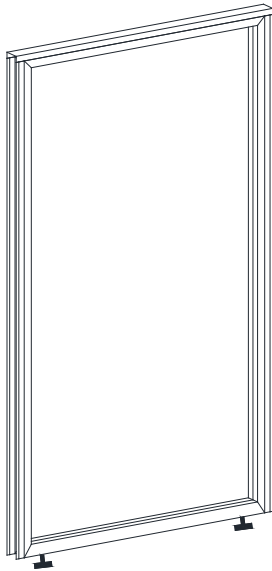
Our structural non-powered glazed panels w/out base have plexiglass inserts, painted top caps and adjustable glides..

Height Options: 62, 80
Width Options: 24, 30, 36, 42, 48

Add frosting bands to your door sidelights or glass panels.

62”H	SKU	DESCRIPTION	LIST
	G6224NB	62H x 24W Glazed Panel- No Base	\$1,519
	G6230NB	62H x 30W Glazed Panel- No Base	\$1,725
	G6236NB	62H x 36W Glazed Panel- No Base	\$1,929
	G6242NB	62H x 42W Glazed Panel- No Base	\$2,155
	G6248NB	62H x 48W Glazed Panel- No Base	\$2,369

80”H	SKU	DESCRIPTION	LIST
	G8024	80H x 24W Glazed Panel- No Base	\$1,789
	G8030	80H x 30W Glazed Panel- No Base	\$2,039
	G8036	80H x 36W Glazed Panel- No Base	\$2,305
	G8042	80H x 42W Glazed Panel- No Base	\$2,555
	G8048	80H x 48W Glazed Panel- No Base	\$2,819



DESCRIPTION

Our structural non-powered open panels w/out base have an opening suitable for communicating and equipment sharing.

Height Options: 62, 80
Width Options: 24, 30, 36, 42, 48

62”H	SKU	DESCRIPTION	LIST
	O6224NB	62H x 24W Open Frame Panel- No Base	\$689
	O6230NB	62H x 30W Open Frame Panel- No Base	\$709
	O6236NB	62H x 36W Open Frame Panel- No Base	\$739
	O6242NB	62H x 42W Open Frame Panel- No Base	\$749
	O6248NB	62H x 48W Open Frame Panel- No Base	\$799

80”H	SKU	DESCRIPTION	LIST
	O8024	80H x 24W Open Frame Panel- No Base	\$749
	O8030	80H x 30W Open Frame Panel- No Base	\$809
	O8036	80H x 36W Open Frame Panel- No Base	\$875
	O8042	80H x 42W Open Frame Panel- No Base	\$905
	O8048	80H x 48W Open Frame Panel- No Base	\$975

FABRIC STACK PANELS

DESCRIPTION

Fabric Stack Panels have fabric surfaces and attach to the top of an OPS2 panel, providing a segmented look. They are not compatible w/ our OPS2 Tile System.

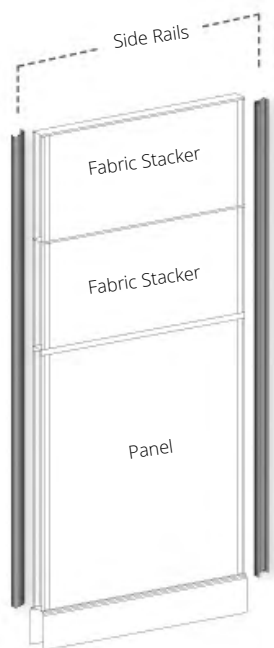
Fabric Stacker Width Options: 12, 18, 24, 30, 36, 42, 48, 60

Fabric Stacker Height Options: 10, 14, 18, 20, 22

FABRIC ACOUSTIC STACK PANELS

NOTE: To order acoustical fabric stackers, change the fabric stacker SKU# from SF to SFA for an additional charge. Please contact your CSR for pricing.

STACKER	QTY	STACKER TYPE	PANEL	TOTAL
14"	1	fabric, glazed, or marker board	39"	53"
20"	1	fabric or glass	47"	67"
14"	1	fabric, glazed, or marker board	53"	67"
18"	1	fabric, glazed or marker board	67"	85"
(a) 14" and (b) 18"	1	(a) fabric, glazed or marker board	53"	85"
	1	(b) fabric, glazed or marker board		
(a) 14" and (b) 18"	2	(a) fabric, glazed or marker board	39"	85"
	1	(b) fabric, glazed or marker board		



EXAMPLE: Fabric w/ two Fabric Stackers

MODULAR WALL HEIGHTS

STACKER	QTY	STACKER TYPE	PANEL	TOTAL
10"	1	fabric	85"	95"
14"	1	fabric or glazed	85"	99"
18"	1	fabric or glazed	85"	103"
22"	1	fabric or glazed	85"	107"

10"H	SKU	DESCRIPTION	LIST
	SF1012	Fabric Stack Panel- 10H x 12W	\$295
	SF1018	Fabric Stack Panel- 10H x 18W	\$325
	SF1024	Fabric Stack Panel- 10H x 24W	\$339
	SF1030	Fabric Stack Panel- 10H x 30W	\$349
	SF1036	Fabric Stack Panel- 10H x 36W	\$375
	SF1042	Fabric Stack Panel- 10H x 42W	\$399
	SF1048	Fabric Stack Panel- 10H x 48W	\$435
	SF1060	Fabric Stack Panel- 10H x 60W	\$459

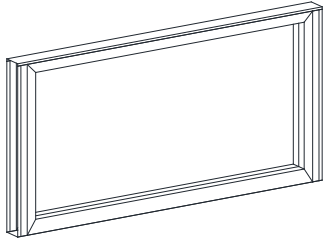
14"H	SKU	DESCRIPTION	LIST
	SF1424	Fabric Stack Panel- 14H x 24W	\$385
	SF1430	Fabric Stack Panel- 14H x 30W	\$419
	SF1436	Fabric Stack Panel- 14H x 36W	\$439
	SF1442	Fabric Stack Panel- 14H x 42W	\$459
	SF1448	Fabric Stack Panel- 14H x 48W	\$489
	SF1460	Fabric Stack Panel- 14H x 60W	\$529

18"H	SKU	DESCRIPTION	LIST
	SF1824	Fabric Stack Panel- 18H x 24W	\$529
	SF1830	Fabric Stack Panel- 18H x 30W	\$565
	SF1836	Fabric Stack Panel- 18H x 36W	\$609
	SF1842	Fabric Stack Panel- 18H x 42W	\$645
	SF1848	Fabric Stack Panel- 18H x 48W	\$689
	SF1860	Fabric Stack Panel- 18H x 60W	\$739

20"H	SKU	DESCRIPTION	LIST
	SF2012	Fabric Stack Panel- 20H x 12W	\$525
	SF2018	Fabric Stack Panel- 20H x 18W	\$545
	SF2024	Fabric Stack Panel- 20H x 24W	\$595
	SF2030	Fabric Stack Panel- 20H x 30W	\$619
	SF2036	Fabric Stack Panel- 20H x 36W	\$675
	SF2042	Fabric Stack Panel- 20H x 42W	\$705
	SF2048	Fabric Stack Panel- 20H x 48W	\$739
	SF2060	Fabric Stack Panel- 20H x 60W	\$799

22"H	SKU	DESCRIPTION	LIST
	SF2212	Fabric Stack Panel- 22H x 12W	\$555
	SF2218	Fabric Stack Panel- 22H x 18W	\$565
	SF2224	Fabric Stack Panel- 22H x 24W	\$619
	SF2230	Fabric Stack Panel- 22H x 30W	\$655
	SF2236	Fabric Stack Panel- 22H x 36W	\$699
	SF2242	Fabric Stack Panel- 22H x 42W	\$729
	SF2248	Fabric Stack Panel- 22H x 48W	\$799
	SF2260	Fabric Stack Panel- 22H x 60W	\$835

GLAZED STACK PANELS



DESCRIPTION

Our Glazed Stack Panels attach to the top of a panel. They have a painted frame w/ a tempered glass insert. Glazed stack panels can be sold individually or as partial glazed stacker panels.

Width Options: 24, 30, 36, 42, 48, 60

Height Options: 14, 18, 20, 22

NOTE: A clear tempered glass stacker is our standard. Bronzed and smoked stackers are also available at an up-charge.

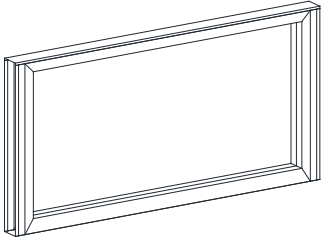
14"H	SKU	DESCRIPTION	LIST
	SG1424	Glass Stack Panel- 14H x 24W	\$995
	SG1430	Glass Stack Panel- 14H x 30W	\$1,015
	SG1436	Glass Stack Panel- 14H x 36W	\$1,035
	SG1442	Glass Stack Panel- 14H x 42W	\$1,319
	SG1448	Glass Stack Panel- 14H x 48W	\$1,339
	SG1460	Glass Stack Panel- 14H x 60W	\$1,715

18"H	SKU	DESCRIPTION	LIST
	SG1824	Glass Stack Panel- 18H x 24W	\$1,099
	SG1830	Glass Stack Panel- 18H x 30W	\$1,155
	SG1836	Glass Stack Panel- 18H x 36W	\$1,309
	SG1842	Glass Stack Panel- 18H x 42W	\$1,479
	SG1848	Glass Stack Panel- 18H x 48W	\$1,635
	SG1860	Glass Stack Panel- 18H x 60W	\$1,909

20"H	SKU	DESCRIPTION	LIST
	SG2024	Glass Stack Panel- 20H x 24W	\$1,145
	SG2030	Glass Stack Panel- 20H x 30W	\$1,175
	SG2036	Glass Stack Panel- 20H x 36W	\$1,339
	SG2042	Glass Stack Panel- 20H x 42W	\$1,495
	SG2048	Glass Stack Panel- 20H x 48W	\$1,659
	SG2060	Glass Stack Panel- 20H x 60W	\$1,955

22"H	SKU	DESCRIPTION	LIST
	SG2224	Glass Stack Panel- 22H x 24W	\$1,209
	SG2230	Glass Stack Panel- 22H x 30W	\$1,275
	SG2236	Glass Stack Panel- 22H x 36W	\$1,469
	SG2242	Glass Stack Panel- 22H x 42W	\$1,625
	SG2248	Glass Stack Panel- 22H x 48W	\$1,799
	SG2260	Glass Stack Panel- 22H x 60W	\$2,079

FROSTED GLASS STACK PANELS



DESCRIPTION

Our Frosted Glass Stack Panels attach to the top of a panel. They have a painted frame w/ a tempered glass insert. Frosted glass stack panels can be sold individually or as partial glazed stacker panels.

Width Options: 24, 30, 36, 42, 48, 60
 Height Options: 14, 18, 20, 22

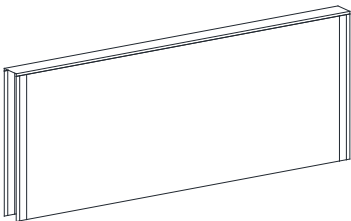
14"H	SKU	DESCRIPTION	LIST
	SG1424F	Frosted Glass Stack Panel- 14H x 24W	\$1,135
	SG1430F	Frosted Glass Stack Panel- 14H x 30W	\$1,169
	SG1436F	Frosted Glass Stack Panel- 14H x 36W	\$1,189
	SG1442F	Frosted Glass Stack Panel- 14H x 42W	\$1,459
	SG1448F	Frosted Glass Stack Panel- 14H x 48W	\$1,535
	SG1460F	Frosted Glass Stack Panel- 14H x 60W	\$1,965

18"H	SKU	DESCRIPTION	LIST
	SG1824F	Frosted Glass Stack Panel- 18H x 24W	\$1,265
	SG1830F	Frosted Glass Stack Panel- 18H x 30W	\$1,329
	SG1836F	Frosted Glass Stack Panel- 18H x 36W	\$1,505
	SG1842F	Frosted Glass Stack Panel- 18H x 42W	\$1,695
	SG1848F	Frosted Glass Stack Panel- 18H x 48W	\$1,869
	SG1860F	Frosted Glass Stack Panel- 18H x 60W	\$2,199

20"H	SKU	DESCRIPTION	LIST
	SG2024F	Frosted Glass Stack Panel- 20H x 24W	\$1,285
	SG2030F	Frosted Glass Stack Panel- 20H x 30W	\$1,349
	SG2036F	Frosted Glass Stack Panel- 20H x 36W	\$1,535
	SG2042F	Frosted Glass Stack Panel- 20H x 42W	\$1,725
	SG2048F	Frosted Glass Stack Panel- 20H x 48W	\$1,909
	SG2060F	Frosted Glass Stack Panel- 20H x 60W	\$2,235

22"H	SKU	DESCRIPTION	LIST
	SG2224F	Frosted Glass Stack Panel- 22H x 24W	\$1,429
	SG2230F	Frosted Glass Stack Panel- 22H x 30W	\$1,459
	SG2236F	Frosted Glass Stack Panel- 22H x 36W	\$1,679
	SG2242F	Frosted Glass Stack Panel- 22H x 42W	\$1,869
	SG2248F	Frosted Glass Stack Panel- 22H x 48W	\$2,055
	SG2260F	Frosted Glass Stack Panel- 22H x 60W	\$2,399

MARKER BOARD STACK PANELS



DESCRIPTION

Marker Board Stack Panels come standard double sided. Single sided marker boards are available by request. Contact your CSR for more information.

14"H	SKU	DESCRIPTION	LIST
	SF1424MB	Marker Board Stack Panel- 14H x 24W	\$479
	SF1430MB	Marker Board Stack Panel- 14H x 30W	\$529
	SF1436MB	Marker Board Stack Panel- 14H x 36W	\$555
	SF1442MB	Marker Board Stack Panel- 14H x 42W	\$595
	SF1448MB	Marker Board Stack Panel- 14H x 48W	\$645
	SF1460MB	Marker Board Stack Panel- 14H x 60W	\$675

18"H	SKU	DESCRIPTION	LIST
	SF1824MB	Marker Board Stack Panel- 18H x 24W	\$705
	SF1830MB	Marker Board Stack Panel- 18H x 30W	\$785
	SF1836MB	Marker Board Stack Panel- 18H x 36W	\$835
	SF1842MB	Marker Board Stack Panel- 18H x 42W	\$875
	SF1848MB	Marker Board Stack Panel- 18H x 48W	\$935
	SF1860MB	Marker Board Stack Panel- 18H x 60W	\$1,035

MOUNT COMPATIBILITY BY SCREEN FINISH

	PGHM (ND)	PGHM-TC (D)	PGHM-N (D)	PGHM-UP (ND)	PGHM-L (ND)	PGHM-UC (ND)	PGHM-UFS (ND)	PGHM-UT (D)	DSD (D)	DSH-L/LU (ND)	DM (ND)
Low Iron Glass	✓	-	-	✓	✓	✓	✓	-	-	-	✓
Standard Glass	✓	-	-	✓	✓	✓	✓	-	-	-	✓
Plexiglass	✓	✓	✓	✓	✓	✓	✓	✓	-	-	✓
12mm PET Board	✓	-	-	✓	✓	✓	✓	✓	-	-	-
24mm PET Board	-	-	-	✓	✓	✓	✓	✓	-	✓	-
Fabric MDF	✓	-	-	✓	✓	✓	✓	✓	✓	-	-
Laminate MDF	✓	-	-	✓	✓	✓	✓	✓	✓	-	-

AMOUNT OF SCREEN MOUNTS RECOMMENDED: For screens up to 48" W (2) mounts are recommended, for screens 49"-70" W (3) mounts are recommended, for screens 71" W and more (4) mounts are recommended.



PGHM



PGHM-UP



PGHM-TC



PGHM-N



PGHM



PGHM-L



PGHM-H



PGHM-UC



PGHM-UFS



PGHM-UT

PANEL TOP CAP SCREEN MOUNTS

SKU	DESCRIPTION	LIST
PGHM	Top Mount Panel Glass Holder	\$65
PGHM-UP	Universal Holder - Over Top Cap	\$105
PGHM-TC	Top Cap Clamp Mount	\$129
PGHM-N	Top Mount Panel Glass Holder - Goal Post Style	\$105

NOTE: Available in BU, HF, LT, MS, MT and WF Finishes.
PGHM-N also available in Silver (SL) Finish.

WORK SURFACE SCREEN MOUNTS

SKU	DESCRIPTION	LIST
PGHM	Top Mount Panel Glass Holder	\$65
PGHM-L	Top Mount Panel Glass Holder - L Style	\$93
PGHM-H	Top Mount Panel Glass Holder - H Style	\$93
PGHM-UC	Universal Holder - Clamp	\$105

NOTE: Available in BU, HF, LT, MS, MT and WF Finishes.

FREESTANDING SCREEN MOUNTS

SKU	DESCRIPTION	LIST
PGHM-UFS	Freestanding Holder, Sits On Surface	\$105
PGHM-UT	Tall Freestanding Holder, Sits On Surface	\$129

NOTE: Available in BU, HF, LT, MS, MT and WF Finishes.



DM-RE



DM-SE



DM-SE-H



DM-2W



DM-3W



DM-4W



DM-DS-TAPE

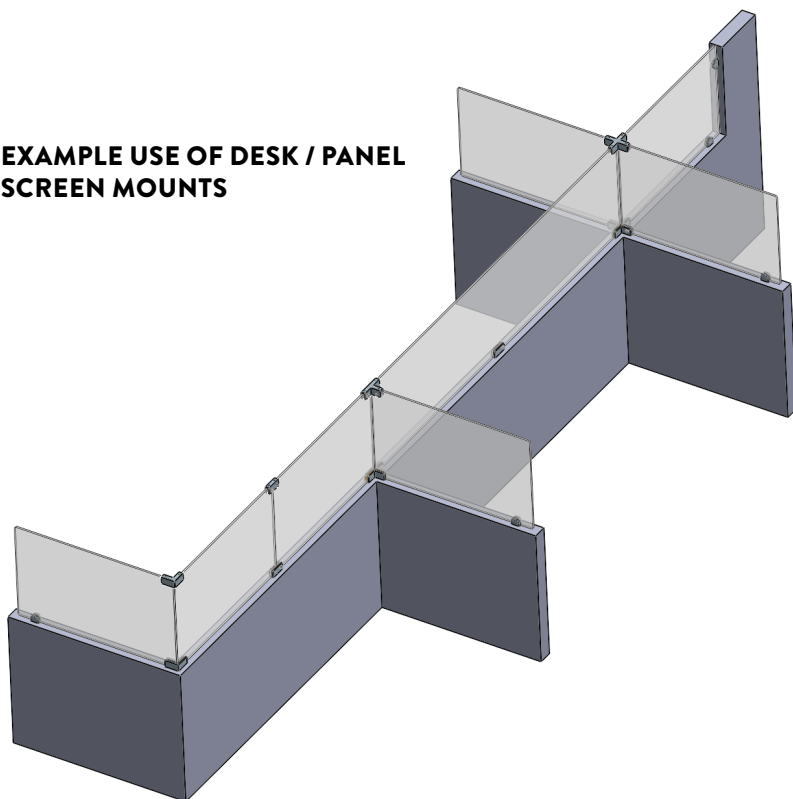
DESK / PANEL SCREEN MOUNTS

SKU	DESCRIPTION	LIST
DM-RE	Round End Clamp For 6mm Glass	\$42
DM-SE	End Square Clamp For 6mm Glass	\$65
DM-SE-H	High End Square Clamp For 6mm Glass	\$105
DM-2W	2 Way 90° Clamp, L Shape for 6mm Glass	\$75
DM-3W	3 Way 90° Clamp, T Shape for 6mm Glass	\$75
DM-4W	4 Way 90° Clamp, X Shape for 6mm Glass	\$82
DM-DS-TAPE	Double Sided Tape (393"L, .55"W, .04" Thick)	\$205

NOTES:

- Designed for 6mm tempered glass or plexiglass applications
- Recommended for heights up to 20"H
- Can attach to panels or work surfaces
- Secures to surfaces using double-sided tape, velcro or screws
- Minimal gap (~1/8") from edge of screen to surface
- Bottom and top mounts are required to secure glass
- DM-SE-H is recommended when more stability is required

EXAMPLE USE OF DESK / PANEL SCREEN MOUNTS



NOTE: Tempered glass is not recommended when an end of run is over 24" long and not connected at both top and bottom. If a run is longer than 24", Plexiglass is recommended with PGHM-TC or PGHM-N screen holders for added stability.

See our Desk/Panel Screen Mount Specification guide for more information at www.openplan.com.



Desk Screen Holders



NOTES:
Modesty panels use frosted plexiglass for safety reasons. Attaches beneath work surface via included PGHM screen mounts (Finishes BU, HF, LT, MT, MS, WF).

MDF DESK SCREEN DIVIDERS

SKU	DESCRIPTION	LIST
DSD24.F	Fabric Desk Screen Divider - 24W	\$799
DSD30.F	Fabric Desk Screen Divider - 30W	\$885
DSD36.F	Fabric Desk Screen Divider - 36W	\$949
DSD42.F	Fabric Desk Screen Divider - 42W	\$1,025
DSD48.F	Fabric Desk Screen Divider - 48W	\$1,099
DSD60.F	Fabric Desk Screen Divider - 60W	\$1,189
DSD72.F	Fabric Desk Screen Divider - 72W	\$1,275

NOTES:

Available standard in fabric (Grade 1 or Grade 2)
Each screen comes with (2) holders. Desk Screen dividers 48" or larger will include (3) holders. The holders will be installed 8" from each side and the third in the center. (Finishes BU, HF, LT, MT, MS, WF, not available in nickel finish) Desk Screen Dividers have T-Molding on the edges (Finishes BU, MT & WF)
When using a Desk Screen Divider with a High Pressure Laminate (HPL) work surface, please inform Customer Service when ordering so that the bracket can be adjusted appropriately. Desk Screen dividers also available in laminate finish.

DESK MODESTY PANEL (FROSTED PLEXIGLASS)

SKU	DESCRIPTION	LIST
PGHM36-FP-MOD	34" Modesty Panel for 36" WS - Frosted Plexiglass	\$575
PGHM42-FP-MOD	40" Modesty Panel for 42" WS - Frosted Plexiglass	\$619
PGHM48-FP-MOD	46" Modesty Panel for 48" WS - Frosted Plexiglass	\$655
PGHM60-FP-MOD	58" Modesty Panel for 60" WS - Frosted Plexiglass	\$689
PGHM72-FP-MOD	70" Modesty Panel for 72" WS - Frosted Plexiglass	\$715

NOTE: PGHM Mounts Included



DESCRIPTION

- Eligible for Grade 1 discounting
- 6mm thick clear, frosted, or tempered glass
- Standard heights: 8, 13.25
- Standard widths: 22, 28, 34, 40, 46, 58, 64, 70

NOTES:

Screen mounts sold separately.
All glass 22-64" W are packaged in cartons of (10), 72" W are packaged in cartons of (8). When ordered in less than full cartons, a \$10 packing fee per carton will be applied to orders.

Compatible Mounts



8”H STANDARD GLASS (CLEAR)

SKU	DESCRIPTION	LIST
MG822WH	8x22 Clear Glass	\$195
MG828WH	8x28 Clear Glass	\$235
MG834WH	8x34 Clear Glass	\$275
MG840WH	8x40 Clear Glass	\$325
MG846WH	8x46 Clear Glass	\$349
MG858WH	8x58 Clear Glass	\$375
MG866WH	8x64 Clear Glass	\$449
MG870WH	8x70 Clear Glass	\$525

8”H STANDARD GLASS (FROSTED)

SKU	DESCRIPTION	LIST
MG822WH-F	8x22 Frosted Glass	\$215
MG828WH-F	8x28 Frosted Glass	\$265
MG834WH-F	8x34 Frosted Glass	\$305
MG840WH-F	8x40 Frosted Glass	\$349
MG846WH-F	8x46 Frosted Glass	\$385
MG858WH-F	8x58 Frosted Glass	\$435
MG866WH-F	8x64 Frosted Glass	\$489
MG870WH-F	8x70 Frosted Glass	\$529

13.25”H STANDARD GLASS (CLEAR)

SKU	DESCRIPTION	LIST
MG1322WH	13.25x22 Clear Glass	\$235
MG1328WH	13.25x28 Clear Glass	\$275
MG1334WH	13.25x34 Clear Glass	\$325
MG1340WH	13.25x40 Clear Glass	\$369
MG1346WH	13.25x46 Clear Glass	\$419
MG1358WH	13.25x58 Clear Glass	\$449
MG1366WH	13.25x64 Clear Glass	\$515
MG1370WH	13.25x70 Clear Glass	\$619

13.25”H STANDARD GLASS (FROSTED)

SKU	DESCRIPTION	LIST
MG1322WH-F	13.25x22 Frosted Glass	\$255
MG1328WH-F	13.25x28 Frosted Glass	\$305
MG1334WH-F	13.25x34 Frosted Glass	\$349
MG1340WH-F	13.25x40 Frosted Glass	\$419
MG1346WH-F	13.25x46 Frosted Glass	\$465
MG1358WH-F	13.25x58 Frosted Glass	\$505
MG1366WH-F	13.25x64 Frosted Glass	\$575
MG1370WH-F	13.25x70 Frosted Glass	\$629



DESCRIPTION

- Eligible for Grade 1 discounting
- 6mm thick clear, frosted, or tempered glass
- Standard heights: 14, 20
- Standard widths: 24, 30, 36, 42, 48, 60, 72
- Extended widths: 25.5, 31.5, 37.5, 43.5, 49.5, 61.5, 73.5 (clear glass only)
- Extended widths recommended when spanning connectors

NOTES:

Screen mounts sold separately.
All glass 22-49.5" W are packaged in cartons of (10), above 49.5" W are packaged in cartons of (8). All 20" H glass are packaged in cartons of (8) When ordered in less than full cartons, a \$10 packing fee per carton will be applied to orders.

Compatible Mounts



PGHM



PGHM-UP



PGHM-L



PGHM-H



PGHM-UFS



PGHM-UC



DM-RE



DM-SE



DM-2W



DM-3W



DM-4W

14"H LOW IRON GLASS (CLEAR)

SKU	DESCRIPTION	LIST
LIG-1424-C	14x24 6mm thickness low iron clear glass	\$195
LIG-1430-C	14x30 6mm thickness low iron clear glass	\$235
LIG-1436-C	14x36 6mm thickness low iron clear glass	\$275
LIG-1442-C	14x42 6mm thickness low iron clear glass	\$315
LIG-1448-C	14x48 6mm thickness low iron clear glass	\$349
LIG-1460-C	14x60 6mm thickness low iron clear glass	\$449
LIG-1472-C	14x72 6mm thickness low iron clear glass	\$529

SKU	DESCRIPTION	LIST
LIG-1425.5-C	14x25.5 6mm thickness low iron clear glass	\$199
LIG-1431.5-C	14x31.5 6mm thickness low iron clear glass	\$245
LIG-1437.5-C	14x37.5 6mm thickness low iron clear glass	\$285
LIG-1443.5-C	14x43.5 6mm thickness low iron clear glass	\$325
LIG-1449.5-C	14x49.5 6mm thickness low iron clear glass	\$365
LIG-1461.5-C	14x61.5 6mm thickness low iron clear glass	\$459
LIG-1473.5-C	14x73.5 6mm thickness low iron clear glass	\$535

1.5" Extended Widths: 1 1/2" to cover 1/2 of a connector

14"H LOW IRON GLASS (FROSTED)

SKU	DESCRIPTION	LIST
LIG-1424-F	14x24 6mm thickness low iron frost glass	\$215
LIG-1430-F	14x30 6mm thickness low iron frost glass	\$265
LIG-1436-F	14x36 6mm thickness low iron frost glass	\$305
LIG-1442-F	14x42 6mm thickness low iron frost glass	\$349
LIG-1448-F	14x48 6mm thickness low iron frost glass	\$385
LIG-1460-F	14x60 6mm thickness low iron frost glass	\$489
LIG-1472-F	14x72 6mm thickness low iron frost glass	\$535

20"H LOW IRON GLASS (CLEAR)

SKU	DESCRIPTION	LIST
LIG-2024-C	20x24 6mm thickness low iron clear glass	\$285
LIG-2030-C	20x30 6mm thickness low iron clear glass	\$339
LIG-2036-C	20x36 6mm thickness low iron clear glass	\$375
LIG-2042-C	20x42 6mm thickness low iron clear glass	\$449
LIG-2048-C	20x48 6mm thickness low iron clear glass	\$505
LIG-2060-C	20x60 6mm thickness low iron clear glass	\$619
LIG-2072-C	20x72 6mm thickness low iron clear glass	\$729

SKU	DESCRIPTION	LIST
LIG-2025.5-C	20x25.5 6mm thickness low iron clear glass	\$285
LIG-2031.5-C	20x31.5 6mm thickness low iron clear glass	\$349
LIG-2037.5-C	20x37.5 6mm thickness low iron clear glass	\$399
LIG-2043.5-C	20x43.5 6mm thickness low iron clear glass	\$465
LIG-2049.5-C	20x49.5 6mm thickness low iron clear glass	\$515
LIG-2061.5-C	20x61.5 6mm thickness low iron clear glass	\$629
LIG-2073.5-C	20x73.5 6mm thickness low iron clear glass	\$739

1.5" Extended Widths: 1 1/2" to cover 1/2 of a connector



DESCRIPTION

- Eligible for Grade 1 discounting
- 1/4" thick clear or frosted acrylic
- Standard heights: 14, 18, 20, 24
- Standard widths: 24, 30, 36, 42, 48, 60, 72
- Extended widths: 25.5, 27, 31.5, 33, 37.5, 39, 43.5, 45, 49.5, 51, 61.5, 63, 73.5, 75
- Extended widths recommended when spanning connectors

NOTES:

Screen mounts sold separately. All sizes are now .5" less the full inches. 14 is 13.5, 18 is 17.5, 20 is 19.5, 24 is 23.5. The description on the sales order will note the exact size. If matching existing sizes then an optimizer will be required if the yield changes and will be priced by the sheet. For applications above 24"H, or for 8mm thick plexiglass, please contact Customer Service regarding custom pricing.

Compatible Mounts



14"H PLEXIGLASS (CLEAR)

SKU	DESCRIPTION	LIST
PLEXG1424-2500-C	13.5x23.5 1/4" thick Plexi Clear	\$245
PLEXG1430-2500-C	13.5x29.5 1/4" thick Plexi Clear	\$275
PLEXG1436-2500-C	13.5x35.5 1/4" thick Plexi Clear	\$349
PLEXG1442-2500-C	13.5x41.5 1/4" thick Plexi Clear	\$399
PLEXG1448-2500-C	13.5x47.5 1/4" thick Plexi Clear	\$399
PLEXG1460-2500-C	13.5x59.5 1/4" thick Plexi Clear	\$479
PLEXG1472-2500-C	13.5x71.5 1/4" thick Plexi Clear	\$609

SKU	DESCRIPTION	LIST
PLEXG1425.5-2500-C	13.5x25.5 1/4" thick Plexi Clear	\$245
PLEXG1431.5-2500-C	13.5x31.5 1/4" thick Plexi Clear	\$275
PLEXG1437.5-2500-C	13.5x37.5 1/4" thick Plexi Clear	\$399
PLEXG1443.5-2500-C	13.5x43.5 1/4" thick Plexi Clear	\$399
PLEXG1449.5-2500-C	13.5x49.5 1/4" thick Plexi Clear	\$449
PLEXG1461.5-2500-C	13.5x61.5 1/4" thick Plexi Clear	\$525
PLEXG1473.5-2500-C	13.5x73.5 1/4" thick Plexi Clear	\$645

1.5" Extended Widths: 1 1/2" to cover 1/2 of a connector

SKU	DESCRIPTION	LIST
PLEXG1427-2500-C	13.5x27 1/4" thick Plexi Clear	\$275
PLEXG1433-2500-C	13.5x33 1/4" thick Plexi Clear	\$305
PLEXG1439-2500-C	13.5x39 1/4" thick Plexi Clear	\$399
PLEXG1445-2500-C	13.5x45 1/4" thick Plexi Clear	\$399
PLEXG1451-2500-C	13.5x51 1/4" thick Plexi Clear	\$449
PLEXG1463-2500-C	13.5x63 1/4" thick Plexi Clear	\$525
PLEXG1475-2500-C	13.5x75 1/4" thick Plexi Clear	\$645

3" Extended Widths: 3" to cover full connector or 1/2 of 2 connectors

14"H PLEXIGLASS (FROSTED)

SKU	DESCRIPTION	LIST
PLEXG1424-2500-F	13.5x23.5 1/4" thick Plexi Frosted	\$339
PLEXG1430-2500-F	13.5x29.5 1/4" thick Plexi Frosted	\$365
PLEXG1436-2500-F	13.5x35.5 1/4" thick Plexi Frosted	\$469
PLEXG1442-2500-F	13.5x41.5 1/4" thick Plexi Frosted	\$555
PLEXG1448-2500-F	13.5x47.5 1/4" thick Plexi Frosted	\$555
PLEXG1460-2500-F	13.5x59.5 1/4" thick Plexi Frosted	\$655
PLEXG1472-2500-F	13.5x71.5 1/4" thick Plexi Frosted	\$825

SKU	DESCRIPTION	LIST
PLEXG1425.5-2500-F	13.5x25.5 1/4" thick Plexi Frosted	\$339
PLEXG1431.5-2500-F	13.5x31.5 1/4" thick Plexi Frosted	\$365
PLEXG1437.5-2500-F	13.5x37.5 1/4" thick Plexi Frosted	\$555
PLEXG1443.5-2500-F	13.5x43.5 1/4" thick Plexi Frosted	\$555
PLEXG1449.5-2500-F	13.5x49.5 1/4" thick Plexi Frosted	\$609
PLEXG1461.5-2500-F	13.5x61.5 1/4" thick Plexi Frosted	\$709
PLEXG1473.5-2500-F	13.5x73.5 1/4" thick Plexi Frosted	\$875

1.5" Extended Widths: 1 1/2" to cover 1/2 of a connector

SKU	DESCRIPTION	LIST
PLEXG1427-2500-F	13.5x27 1/4" thick Plexi Frosted	\$365
PLEXG1433-2500-F	13.5x33 1/4" thick Plexi Frosted	\$419
PLEXG1439-2500-F	13.5x39 1/4" thick Plexi Frosted	\$555
PLEXG1445-2500-F	13.5x45 1/4" thick Plexi Frosted	\$555
PLEXG1451-2500-F	13.5x51 1/4" thick Plexi Frosted	\$609
PLEXG1463-2500-F	13.5x63 1/4" thick Plexi Frosted	\$709
PLEXG1475-2500-F	13.5x75 1/4" thick Plexi Frosted	\$875

3" Extended Widths: 3" to cover full connector or 1/2 of 2 connectors

18”H PLEXIGLASS (CLEAR)

SKU	DESCRIPTION	LIST
PLEXG1824-2500-C	17.5x23.5 1/4" thick Plexi Clear	\$305
PLEXG1830-2500-C	17.5x29.5 1/4" thick Plexi Clear	\$479
PLEXG1836-2500-C	17.5x35.5 1/4" thick Plexi Clear	\$479
PLEXG1842-2500-C	17.5x41.5 1/4" thick Plexi Clear	\$479
PLEXG1848-2500-C	17.5x47.5 1/4" thick Plexi Clear	\$479
PLEXG1860-2500-C	17.5x59.5 1/4" thick Plexi Clear	\$785
PLEXG1872-2500-C	17.5x71.5 1/4" thick Plexi Clear	\$965

SKU	DESCRIPTION	LIST
PLEXG1825.5-2500-C	17.5x25.5 1/4" thick Plexi Clear	\$305
PLEXG1831.5-2500-C	17.5x31.5 1/4" thick Plexi Clear	\$479
PLEXG1837.5-2500-C	17.5x37.5 1/4" thick Plexi Clear	\$479
PLEXG1843.5-2500-C	17.5x43.5 1/4" thick Plexi Clear	\$479
PLEXG1849.5-2500-C	17.5x49.5 1/4" thick Plexi Clear	\$679
PLEXG1861.5-2500-C	17.5x61.5 1/4" thick Plexi Clear	\$835
PLEXG1873.5-2500-C	17.5x73.5 1/4" thick Plexi Clear	\$965

1.5" Extended Widths: 1 1/2" to cover 1/2 of a connector

SKU	DESCRIPTION	LIST
PLEXG1827-2500-C	17.5x27 1/4" thick Plexi Clear	\$305
PLEXG1833-2500-C	17.5x33 1/4" thick Plexi Clear	\$479
PLEXG1839-2500-C	17.5x39 1/4" thick Plexi Clear	\$479
PLEXG1845-2500-C	17.5x45 1/4" thick Plexi Clear	\$479
PLEXG1851-2500-C	17.5x51 1/4" thick Plexi Clear	\$679
PLEXG1863-2500-C	17.5x63 1/4" thick Plexi Clear	\$835
PLEXG1875-2500-C	17.5x75 1/4" thick Plexi Clear	\$965

3" Extended Widths: 3" to cover full connector or 1/2 of 2 connectors

20”H PLEXIGLASS (CLEAR)

SKU	DESCRIPTION	LIST
PLEXG2024-2500-C	19.5x23.5 1/4" thick Plexi Clear	\$349
PLEXG2030-2500-C	19.5x29.5 1/4" thick Plexi Clear	\$399
PLEXG2036-2500-C	19.5x35.5 1/4" thick Plexi Clear	\$479
PLEXG2042-2500-C	19.5x41.5 1/4" thick Plexi Clear	\$609
PLEXG2048-2500-C	19.5x47.5 1/4" thick Plexi Clear	\$609
PLEXG2060-2500-C	19.5x59.5 1/4" thick Plexi Clear	\$905
PLEXG2072-2500-C	19.5x71.5 1/4" thick Plexi Clear	\$1,015

SKU	DESCRIPTION	LIST
PLEXG2025.5-2500-C	19.5x25.5 1/4" thick Plexi Clear	\$349
PLEXG2031.5-2500-C	19.5x31.5 1/4" thick Plexi Clear	\$399
PLEXG2037.5-2500-C	19.5x37.5 1/4" thick Plexi Clear	\$479
PLEXG2043.5-2500-C	19.5x43.5 1/4" thick Plexi Clear	\$609
PLEXG2049.5-2500-C	19.5x49.5 1/4" thick Plexi Clear	\$701
PLEXG2061.5-2500-C	19.5x61.5 1/4" thick Plexi Clear	\$905
PLEXG2073.5-2500-C	19.5x73.5 1/4" thick Plexi Clear	\$1,015

1.5" Extended Widths: 1 1/2" to cover 1/2 of a connector

SKU	DESCRIPTION	LIST
PLEXG2027-2500-C	19.5x27 1/4" thick Plexi Clear	\$349
PLEXG2033-2500-C	19.5x33 1/4" thick Plexi Clear	\$399
PLEXG2039-2500-C	19.5x39 1/4" thick Plexi Clear	\$609
PLEXG2045-2500-C	19.5x45 1/4" thick Plexi Clear	\$609
PLEXG2051-2500-C	19.5x51 1/4" thick Plexi Clear	\$715
PLEXG2063-2500-C	19.5x63 1/4" thick Plexi Clear	\$905
PLEXG2075-2500-C	19.5x75 1/4" thick Plexi Clear	\$1,015

3" Extended Widths: 3" to cover full connector or 1/2 of 2 connectors

18”H PLEXIGLASS (FROSTED)

SKU	DESCRIPTION	LIST
PLEXG1824-2500-F	17.5x23.5 1/4" thick Plexi Frosted	\$419
PLEXG1830-2500-F	17.5x29.5 1/4" thick Plexi Frosted	\$655
PLEXG1836-2500-F	17.5x35.5 1/4" thick Plexi Frosted	\$655
PLEXG1842-2500-F	17.5x41.5 1/4" thick Plexi Frosted	\$655
PLEXG1848-2500-F	17.5x47.5 1/4" thick Plexi Frosted	\$655
PLEXG1860-2500-F	17.5x59.5 1/4" thick Plexi Frosted	\$1,035
PLEXG1872-2500-F	17.5x71.5 1/4" thick Plexi Frosted	\$1,319

SKU	DESCRIPTION	LIST
PLEXG1825.5-2500-F	17.5x25.5 1/4" thick Plexi Frosted	\$419
PLEXG1831.5-2500-F	17.5x31.5 1/4" thick Plexi Frosted	\$655
PLEXG1837.5-2500-F	17.5x37.5 1/4" thick Plexi Frosted	\$655
PLEXG1843.5-2500-F	17.5x43.5 1/4" thick Plexi Frosted	\$655
PLEXG1849.5-2500-F	17.5x49.5 1/4" thick Plexi Frosted	\$975
PLEXG1861.5-2500-F	17.5x61.5 1/4" thick Plexi Frosted	\$1,065
PLEXG1873.5-2500-F	17.5x73.5 1/4" thick Plexi Frosted	\$1,319

1.5" Extended Widths: 1 1/2" to cover 1/2 of a connector

SKU	DESCRIPTION	LIST
PLEXG1827-2500-F	17.5x27 1/4" thick Plexi Frosted	\$419
PLEXG1833-2500-F	17.5x33 1/4" thick Plexi Frosted	\$655
PLEXG1839-2500-F	17.5x39 1/4" thick Plexi Frosted	\$655
PLEXG1845-2500-F	17.5x45 1/4" thick Plexi Frosted	\$655
PLEXG1851-2500-F	17.5x51 1/4" thick Plexi Frosted	\$975
PLEXG1863-2500-F	17.5x63 1/4" thick Plexi Frosted	\$1,065
PLEXG1875-2500-F	17.5x75 1/4" thick Plexi Frosted	\$1,319

3" Extended Widths: 3" to cover full connector or 1/2 of 2 connectors

20”H PLEXIGLASS (FROSTED)

SKU	DESCRIPTION	LIST
PLEXG2024-2500-F	19.5x23.5 1/4" thick Plexi Frosted	\$469
PLEXG2030-2500-F	19.5x29.5 1/4" thick Plexi Frosted	\$555
PLEXG2036-2500-F	19.5x35.5 1/4" thick Plexi Frosted	\$655
PLEXG2042-2500-F	19.5x41.5 1/4" thick Plexi Frosted	\$825
PLEXG2048-2500-F	19.5x47.5 1/4" thick Plexi Frosted	\$825
PLEXG2060-2500-F	19.5x59.5 1/4" thick Plexi Frosted	\$975
PLEXG2072-2500-F	19.5x71.5 1/4" thick Plexi Frosted	\$1,385

SKU	DESCRIPTION	LIST
PLEXG2025.5-2500-F	19.5x25.5 1/4" thick Plexi Frosted	\$469
PLEXG2031.5-2500-F	19.5x31.5 1/4" thick Plexi Frosted	\$555
PLEXG2037.5-2500-F	19.5x37.5 1/4" thick Plexi Frosted	\$655
PLEXG2043.5-2500-F	19.5x43.5 1/4" thick Plexi Frosted	\$825
PLEXG2049.5-2500-F	19.5x49.5 1/4" thick Plexi Frosted	\$975
PLEXG2061.5-2500-F	19.5x61.5 1/4" thick Plexi Frosted	\$975
PLEXG2073.5-2500-F	19.5x73.5 1/4" thick Plexi Frosted	\$1,385

1.5" Extended Widths: 1 1/2" to cover 1/2 of a connector

SKU	DESCRIPTION	LIST
PLEXG2027-2500-F	19.5x27 1/4" thick Plexi Frosted	\$469
PLEXG2033-2500-F	19.5x33 1/4" thick Plexi Frosted	\$555
PLEXG2039-2500-F	19.5x39 1/4" thick Plexi Frosted	\$825
PLEXG2045-2500-F	19.5x45 1/4" thick Plexi Frosted	\$825
PLEXG2051-2500-F	19.5x51 1/4" thick Plexi Frosted	\$975
PLEXG2063-2500-F	19.5x63 1/4" thick Plexi Frosted	\$975
PLEXG2075-2500-F	19.5x75 1/4" thick Plexi Frosted	\$1,385

3" Extended Widths: 3" to cover full connector or 1/2 of 2 connectors

24”H PLEXIGLASS (CLEAR)

SKU	DESCRIPTION	LIST
PLEXG2424-2500-C	23.5x23.5 1/4" thick Plexi Clear	\$349
PLEXG2430-2500-C	23.5x29.5 1/4" thick Plexi Clear	\$399
PLEXG2436-2500-C	23.5x35.5 1/4" thick Plexi Clear	\$479
PLEXG2442-2500-C	23.5x41.5 1/4" thick Plexi Clear	\$609
PLEXG2448-2500-C	23.5x47.5 1/4" thick Plexi Clear	\$609
PLEXG2460-2500-C	23.5x59.5 1/4" thick Plexi Clear	\$905
PLEXG2472-2500-C	23.5x71.5 1/4" thick Plexi Clear	\$1,015

SKU	DESCRIPTION	LIST
PLEXG2425.5-2500-C	23.5x25.5 1/4" thick Plexi Clear	\$399
PLEXG2431.5-2500-C	23.5x31.5 1/4" thick Plexi Clear	\$399
PLEXG2437.5-2500-C	23.5x37.5 1/4" thick Plexi Clear	\$609
PLEXG2443.5-2500-C	23.5x43.5 1/4" thick Plexi Clear	\$609
PLEXG2449.5-2500-C	23.5x49.5 1/4" thick Plexi Clear	\$715
PLEXG2461.5-2500-C	23.5x61.5 1/4" thick Plexi Clear	\$905
PLEXG2473.5-2500-C	23.5x73.5 1/4" thick Plexi Clear	\$1,015

1.5" Extended Widths: 1 1/2" to cover 1/2 of a connector

SKU	DESCRIPTION	LIST
PLEXG2427-2500-C	23.5x27 1/4" thick Plexi Clear	\$399
PLEXG2433-2500-C	23.5x33 1/4" thick Plexi Clear	\$479
PLEXG2439-2500-C	23.5x39 1/4" thick Plexi Clear	\$609
PLEXG2445-2500-C	23.5x45 1/4" thick Plexi Clear	\$609
PLEXG2451-2500-C	23.5x51 1/4" thick Plexi Clear	\$715
PLEXG2463-2500-C	23.5x63 1/4" thick Plexi Clear	\$905
PLEXG2475-2500-C	23.5x75 1/4" thick Plexi Clear	\$1,015

3" Extended Widths: 3" to cover full connector or 1/2 of 2 connectors

24”H PLEXIGLASS (FROSTED)

SKU	DESCRIPTION	LIST
PLEXG2424-2500-F	23.5x23.5 1/4" thick Plexi Frosted	\$469
PLEXG2430-2500-F	23.5x29.5 1/4" thick Plexi Frosted	\$555
PLEXG2436-2500-F	23.5x35.5 1/4" thick Plexi Frosted	\$655
PLEXG2442-2500-F	23.5x41.5 1/4" thick Plexi Frosted	\$825
PLEXG2448-2500-F	23.5x47.5 1/4" thick Plexi Frosted	\$825
PLEXG2460-2500-F	23.5x59.5 1/4" thick Plexi Frosted	\$975
PLEXG2472-2500-F	23.5x71.5 1/4" thick Plexi Frosted	\$1,385

SKU	DESCRIPTION	LIST
PLEXG2425.5-2500-F	23.5x25.5 1/4" thick Plexi Frosted	\$555
PLEXG2431.5-2500-F	23.5x31.5 1/4" thick Plexi Frosted	\$555
PLEXG2437.5-2500-F	23.5x37.5 1/4" thick Plexi Frosted	\$825
PLEXG2443.5-2500-F	23.5x43.5 1/4" thick Plexi Frosted	\$825
PLEXG2449.5-2500-F	23.5x49.5 1/4" thick Plexi Frosted	\$975
PLEXG2461.5-2500-F	23.5x61.5 1/4" thick Plexi Frosted	\$975
PLEXG2473.5-2500-F	23.5x73.5 1/4" thick Plexi Frosted	\$1,385

1.5" Extended Widths: 1 1/2" to cover 1/2 of a connector

SKU	DESCRIPTION	LIST
PLEXG2427-2500-F	23.5x27 1/4" thick Plexi Frosted	\$555
PLEXG2433-2500-F	23.5x33 1/4" thick Plexi Frosted	\$655
PLEXG2439-2500-F	23.5x39 1/4" thick Plexi Frosted	\$825
PLEXG2445-2500-F	23.5x45 1/4" thick Plexi Frosted	\$825
PLEXG2451-2500-F	23.5x51 1/4" thick Plexi Frosted	\$975
PLEXG2463-2500-F	23.5x63 1/4" thick Plexi Frosted	\$975
PLEXG2475-2500-F	23.5x75 1/4" thick Plexi Frosted	\$1,385

3" Extended Widths: 3" to cover full connector or 1/2 of 2 connectors



DESCRIPTION

- Eligible for Grade 1 discounting
- 12mm thick tackable acoustic material
- Available in 4 color options (Black, Blue, Grey, Orange)
- Standard heights: 14, 18, 20, 24
- Standard widths: 24, 30, 36, 42, 48, 60, 72
- Extended widths: 25.5, 31.5, 37.5, 43.5, 49.5, 61.5, 73.5
- Extended widths recommended when spanning connectors

NOTES:

Screen mounts sold separately.
For a custom size under 24" X 73" utilize the next size up for pricing; anything over 24" X 73" will require a custom quote.

Compatible Mounts



PGHM



PGHM-UP



PGHM-L



PGHM-H



PGHM-UC



PGHM-UFS



PGHM-UT

14"H 12 MM PET SCREENS

SKU	DESCRIPTION	LIST
PET-1424	14x24 12MM thickness PET Material	\$159
PET-1430	14x30 12MM thickness PET Material	\$165
PET-1436	14x36 12MM thickness PET Material	\$205
PET-1442	14x42 12MM thickness PET Material	\$245
PET-1448	14x48 12MM thickness PET Material	\$255
PET-1460	14x60 12MM thickness PET Material	\$489
PET-1472	14x72 12MM thickness PET Material	\$505

SKU	DESCRIPTION	LIST
PET-1425.5	14x25.5 12MM thickness PET Material	\$159
PET-1431.5	14x31.5 12MM thickness PET Material	\$179
PET-1437.5	14x37.5 12MM thickness PET Material	\$235
PET-1443.5	14x43.5 12MM thickness PET Material	\$255
PET-1449.5	14x49.5 12MM thickness PET Material	\$265
PET-1461.5	14x61.5 12MM thickness PET Material	\$489
PET-1473.5	14x73.5 12MM thickness PET Material	\$505

1.5" EXTENDED WIDTHS: 1 1/2" to cover 1/2 of a connector

18"H 12 MM PET SCREENS

SKU	DESCRIPTION	LIST
PET-1824	18x24 12MM thickness PET Material	\$185
PET-1830	18x30 12MM thickness PET Material	\$295
PET-1836	18x36 12MM thickness PET Material	\$305
PET-1842	18x42 12MM thickness PET Material	\$305
PET-1848	18x48 12MM thickness PET Material	\$325
PET-1860	18x60 12MM thickness PET Material	\$489
PET-1872	18x72 12MM thickness PET Material	\$505

SKU	DESCRIPTION	LIST
PET-1825.5	18x25.5 12MM thickness PET Material	\$189
PET-1831.5	18x31.5 12MM thickness PET Material	\$305
PET-1837.5	18x37.5 12MM thickness PET Material	\$305
PET-1843.5	18x43.5 12MM thickness PET Material	\$325
PET-1849.5	18x49.5 12MM thickness PET Material	\$365
PET-1861.5	18x61.5 12MM thickness PET Material	\$505
PET-1873.5	18x73.5 12MM thickness PET Material	\$505

1.5" EXTENDED WIDTHS: 1 1/2" to cover 1/2 of a connector

20”H 12 MM PET SCREENS

SKU	DESCRIPTION	LIST
PET-2024	20x24 12MM thickness PET Material	\$205
PET-2030	20x30 12MM thickness PET Material	\$245
PET-2036	20x36 12MM thickness PET Material	\$295
PET-2042	20x42 12MM thickness PET Material	\$365
PET-2048	20x48 12MM thickness PET Material	\$359
PET-2060	20x60 12MM thickness PET Material	\$479
PET-2072	20x72 12MM thickness PET Material	\$489
SKU	DESCRIPTION	LIST
PET-2025.5	20x25.5 12MM thickness PET Material	\$245
PET-2031.5	20x31.5 12MM thickness PET Material	\$295
PET-2037.5	20x37.5 12MM thickness PET Material	\$365
PET-2043.5	20x43.5 12MM thickness PET Material	\$359
PET-2049.5	20x49.5 12MM thickness PET Material	\$479
PET-2061.5	20x61.5 12MM thickness PET Material	\$489
PET-2073.5	20x73.5 12MM thickness PET Material	\$505

1.5” EXTENDED WIDTHS: 1 1/2” to cover 1/2 of a connector

24”H 12 MM PET SCREENS

SKU	DESCRIPTION	LIST
PET-2424	24x24 12MM thickness PET Material	\$235
PET-2430	24x30 12MM thickness PET Material	\$265
PET-2436	24x36 12MM thickness PET Material	\$305
PET-2442	24x42 12MM thickness PET Material	\$359
PET-2448	24x48 12MM thickness PET Material	\$369
PET-2460	24x60 12MM thickness PET Material	\$489
PET-2472	24x72 12MM thickness PET Material	\$505
SKU	DESCRIPTION	LIST
PET-2425.5	24x25.5 12MM thickness PET Material	\$265
PET-2431.5	24x31.5 12MM thickness PET Material	\$305
PET-2437.5	24x37.5 12MM thickness PET Material	\$375
PET-2443.5	24x43.5 12MM thickness PET Material	\$369
PET-2449.5	24x49.5 12MM thickness PET Material	\$489
PET-2461.5	24x61.5 12MM thickness PET Material	\$505
PET-2473.5	24x73.5 12MM thickness PET Material	\$479

1.5” EXTENDED WIDTHS: 1 1/2” to cover 1/2 of a connector



DESCRIPTION

- Eligible for Grade 1 discounting
- 24mm thick tackable acoustic material
- Available in 4 color options (Black, Blue, Grey, Orange)
- Standard heights: 14, 18, 20, 24
- Standard widths: 24, 30, 36, 42, 48, 60, 72

AVAILABLE IN 3 STYLES:

- Fabric covered with t-molding
- Fabric covered without t-molding
- Non-fabric covered with t-molding (eligible for custom patterns, see below)

NOTES:

Screen mounts sold separately.

Compatible Mounts



PGHM-UP



PGHM-L



PGHM-H



PGHM-UC



PGHM-UFS



PGHM-UT

NOTE: When using 24"H PET in a freestanding application, PGHM-UT are recommended.



DSH-L



DSH-LU

14"H 24 MM PET SCREENS

SKU	DESCRIPTION	LIST
PET-24-1424	14x24 24MM thickness PET Material	\$365
PET-24-1430	14x30 24MM thickness PET Material	\$399
PET-24-1436	14x36 24MM thickness PET Material	\$525
PET-24-1442	14x42 24MM thickness PET Material	\$619
PET-24-1448	14x48 24MM thickness PET Material	\$629
PET-24-1460	14x60 24MM thickness PET Material	\$1,219
PET-24-1472	14x72 24MM thickness PET Material	\$1,265

18"H 24 MM PET SCREENS

SKU	DESCRIPTION	LIST
PET-24-1824	18x24 24MM thickness PET Material	\$459
PET-24-1830	18x30 24MM thickness PET Material	\$729
PET-24-1836	18x36 24MM thickness PET Material	\$749
PET-24-1842	18x42 24MM thickness PET Material	\$769
PET-24-1848	18x48 24MM thickness PET Material	\$799
PET-24-1860	18x60 24MM thickness PET Material	\$1,249
PET-24-1872	18x72 24MM thickness PET Material	\$1,285

20"H 24 MM PET SCREENS

SKU	DESCRIPTION	LIST
PET-24-2024	20x24 24MM thickness PET Material	\$505
PET-24-2030	20x30 24MM thickness PET Material	\$619
PET-24-2036	20x36 24MM thickness PET Material	\$729
PET-24-2042	20x42 24MM thickness PET Material	\$905
PET-24-2048	20x48 24MM thickness PET Material	\$895
PET-24-2060	20x60 24MM thickness PET Material	\$1,199
PET-24-2072	20x72 24MM thickness PET Material	\$1,219

24"H 24 MM PET SCREENS

SKU	DESCRIPTION	LIST
PET-24-2424	24x24 24MM thickness PET Material	\$619
PET-24-2430	24x30 24MM thickness PET Material	\$629
PET-24-2436	24x36 24MM thickness PET Material	\$719
PET-24-2442	24x42 24MM thickness PET Material	\$905
PET-24-2448	24x48 24MM thickness PET Material	\$915
PET-24-2460	24x60 24MM thickness PET Material	\$1,209
PET-24-2472	24x72 24MM thickness PET Material	\$1,219

24MM PET BOARD DESK SCREEN DIVIDER BRACKETS

SKU	DESCRIPTION	LIST
DSH-L	2 SCREEN L BRACKET COMBO - SILVER	\$255
DSH-LU	3 SCREEN U BRACKET COMBO - SILVER	\$419

NOTE: Brackets only. Screens must be ordered separately. 24mm PET board required.

DSH-L includes (2) corner brackets, (1) surface bracket, (2) clamp brackets. 24mm PET board required.

DSH-LU includes (4) corner brackets, (2) surface brackets, (2) clamp brackets. 24mm PET board required.



14"H MDF FABRIC SCREENS

SKU	DESCRIPTION	LIST
PGHM24.F	MDF FABRIC SCREEN 14H X 22W	\$459
PGHM30.F	MDF FABRIC SCREEN 14H X 28W	\$489
PGHM36.F	MDF FABRIC SCREEN 14H X 34W	\$529
PGHM42.F	MDF FABRIC SCREEN 14H X 40W	\$555
PGHM48.F	MDF FABRIC SCREEN 14H X 46W	\$595
PGHM60.F	MDF FABRIC SCREEN 14H X 58W	\$619
PGHM66.F	MDF FABRIC SCREEN 14H X 64W	\$645
PGHM72.F	MDF FABRIC SCREEN 14H X 70W	\$655

DESCRIPTION

- Eligible for Grade 1 or Grade 2 discounting
- 3/8" thick fabric covered MDF screen
- Standard heights: 14
- Standard widths: 22, 28, 34, 40, 46, 58, 64, 70
- T-Molding colors: BU, MT, WF

NOTES:

Fabric MDF screen SKUs currently come packaged with (2) PGHM mounts. To customize order with different mounting options, please contact Customer Service for pricing.

Compatible Mounts



PGHM



PGHM-UP



PGHM-L



PGHM-H



PGHM-UC



PGHM-UFS



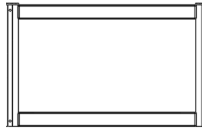
PGHM-UT



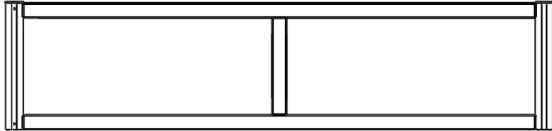
DSD

ADD-ON SCREENS

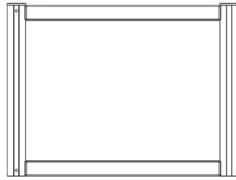
NOTE: Add-on screens are 1.5" less in width than full screens Add on screens cannot be shipped assembled.



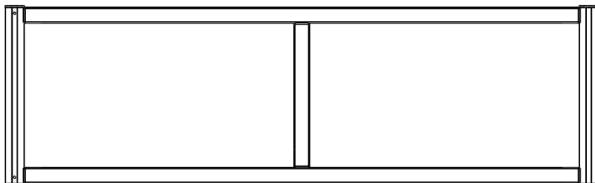
14H Single (S)



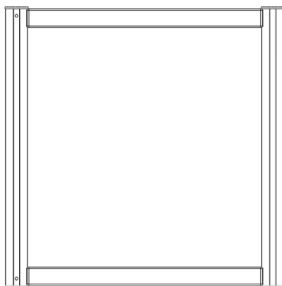
14H
2-Wide
(D)



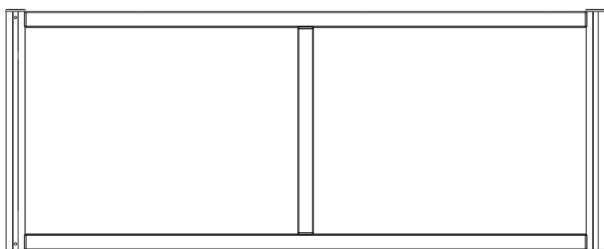
18H Single (S)



18H
2-Wide
(D)



24H Single (S)



24H
2-Wide
(D)

14H SINGLE (S)

SKU	DESCRIPTION	LIST
FS-1424-S	14Hx24W Desk Screen	\$545
FS-1430-S	14Hx30W Desk Screen	\$595
FS-1436-S	14Hx36W Desk Screen	\$655
FS-1448-S	14Hx48W Desk Screen	\$809
FS-1424-S-A	14Hx24W Desk Screen add-on	\$459
FS-1430-S-A	14Hx30W Desk Screen add-on	\$505
FS-1436-S-A	14Hx36W Desk Screen add-on	\$565
FS-1448-S-A	14Hx48W Desk Screen add-on	\$715

14H 2-WIDE (D)

SKU	DESCRIPTION	LIST
FS-1460-D	14Hx60W Desk Screen	\$809
FS-1472-D	14Hx72W Desk Screen	\$885
FS-1460-D-A	14Hx60W Desk Screen add-on	\$715
FS-1472-D-A	14Hx72W Desk Screen add-on	\$799

18H SINGLE (S)

SKU	DESCRIPTION	LIST
FS-1824-S	18Hx24W Desk Screen	\$565
FS-1830-S	18Hx30W Desk Screen	\$655
FS-1836-S	18Hx36W Desk Screen	\$699
FS-1848-S	18Hx48W Desk Screen	\$769
FS-1824-S-A	18Hx24W Desk Screen add-on	\$465
FS-1830-S-A	18Hx30W Desk Screen add-on	\$555
FS-1836-S-A	18Hx36W Desk Screen add-on	\$595
FS-1848-S-A	18Hx48W Desk Screen add-on	\$665

18H 2-WIDE (D)

SKU	DESCRIPTION	LIST
FS-1860-D	18Hx60W Desk Screen	\$849
FS-1872-D	18Hx72W Desk Screen	\$915
FS-1860-D-A	18Hx60W Desk Screen add-on	\$739
FS-1872-D-A	18Hx72W Desk Screen add-on	\$819

24H SINGLE (S)

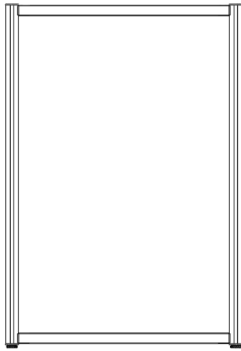
SKU	DESCRIPTION	LIST
FS-2424-S	24Hx24W Desk Screen	\$619
FS-2430-S	24Hx30W Desk Screen	\$675
FS-2436-S	24Hx36W Desk Screen	\$739
FS-2448-S	24Hx48W Desk Screen	\$859
FS-2424-S-A	24Hx24W Desk Screen add-on	\$489
FS-2430-S-A	24Hx30W Desk Screen add-on	\$555
FS-2436-S-A	24Hx36W Desk Screen add-on	\$629
FS-2448-S-A	24Hx48W Desk Screen add-on	\$739

24H 2-WIDE (D)

SKU	DESCRIPTION	LIST
FS-2460-D	24Hx60W Desk Screen	\$905
FS-2472-D	24Hx72W Desk Screen	\$975
FS-2460-D-A	24Hx60W Desk Screen add-on	\$795
FS-2472-D-A	24Hx72W Desk Screen add-on	\$859

FREESTANDING SCREENS

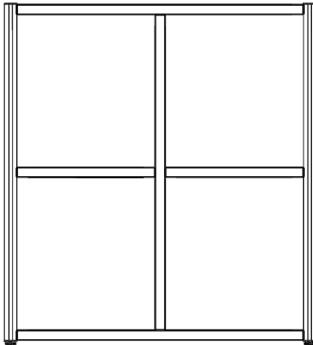
NOTE: OPS will assemble stand-alone freestanding screens that are 48" wide or smaller for no additional cost. Any screen that is over 48" wide would require a \$50.00 per screen assembly fee or will be shipped unassembled.



53H Single (S)

53H SINGLE (S)

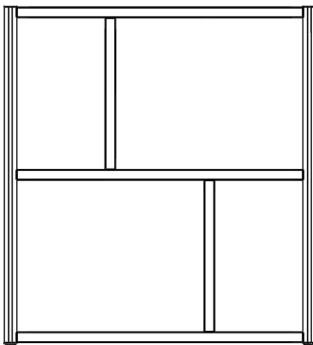
SKU	DESCRIPTION	LIST
FS-5324-S	53Hx24W Freestanding Screen	\$925
FS-5330-S	53Hx30W Freestanding Screen	\$1,045
FS-5336-S	53Hx36W Freestanding Screen	\$1,219
FS-5348-S	53Hx48W Freestanding Screen	\$1,649
FS-5324-S-A	53Hx24W Freestanding Screen add on	\$709
FS-5330-S-A	53Hx30W Freestanding Screen add on	\$829
FS-5336-S-A	53Hx36W Freestanding Screen add on	\$1,005
FS-5348-S-A	53Hx48W Freestanding Screen add on	\$1,459



53H
2-Wide
3-High (D2)

53H 2-WIDE 2-HIGH (D2)

SKU	DESCRIPTION	LIST
FS-5348-D2	53Hx48W Freestanding Screen	\$1,649
FS-5360-D2	53Hx60W Freestanding Screen	\$2,049
FS-5372-D2	53Hx72W Freestanding Screen	\$2,139
FS-5348-D2-A	53Hx48W Freestanding Screen add on	\$1,459
FS-5360-D2-A	53Hx60W Freestanding Screen add on	\$1,855
FS-5372-D2-A	53Hx72W Freestanding Screen add on	\$1,929



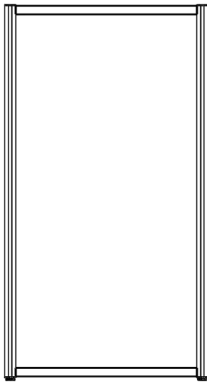
53H
2-Wide 2-High
Offset (D2W)

53H 2-WIDE 2-HIGH OFFSET (D2W)

SKU	DESCRIPTION	LIST
FS-5348-D2W	53Hx48W Freestanding Screen	\$1,649
FS-5360-D2W	53Hx60W Freestanding Screen	\$2,049
FS-5372-D2W	53Hx72W Freestanding Screen	\$2,139
FS-5348-D2W-A	53Hx48W Freestanding Screen add on	\$1,459
FS-5360-D2W-A	53Hx60W Freestanding Screen add on	\$1,855
FS-5372-D2W-A	53Hx72W Freestanding Screen add on	\$1,929

FREESTANDING SCREENS

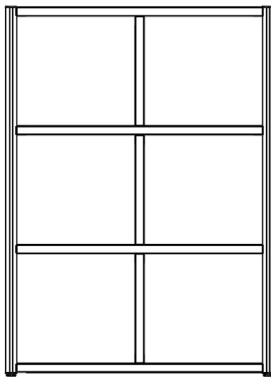
NOTE: OPS will assemble stand-alone freestanding screens that are 48" wide or smaller for no additional cost. Any screen that is over 48" wide would require a \$50.00 per screen assembly fee or will be shipped unassembled.



67H Single (S)

67H SINGLE (S)

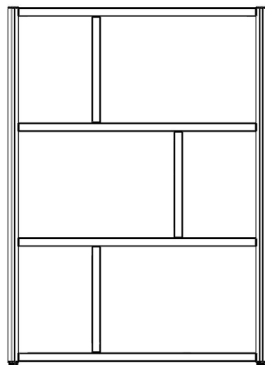
SKU	DESCRIPTION	LIST
FS-6724-S	67Hx24W Freestanding Screen	\$1,329
FS-6730-S	67Hx30W Freestanding Screen	\$1,579
FS-6736-S	67Hx36W Freestanding Screen	\$1,955
FS-6748-S	67Hx48W Freestanding Screen	\$2,015
FS-6724-S-A	67Hx24W Freestanding Screen add on	\$1,055
FS-6730-S-A	67Hx30W Freestanding Screen add on	\$1,319
FS-6736-S-A	67Hx36W Freestanding Screen add on	\$1,679
FS-6748-S-A	67Hx48W Freestanding Screen add on	\$1,735



67H
2-Wide
3-High (D3)

67H 2-WIDE 3-HIGH (D3)

SKU	DESCRIPTION	LIST
FS-6748-D3	67Hx48W Freestanding Screen	\$2,429
FS-6760-D3	67Hx60W Freestanding Screen	\$2,349
FS-6772-D3	67Hx72W Freestanding Screen	\$2,645
FS-6748-D3-A	67Hx48W Freestanding Screen add on	\$2,175
FS-6760-D3-A	67Hx60W Freestanding Screen add on	\$2,185
FS-6772-D3-A	67Hx72W Freestanding Screen add on	\$2,385



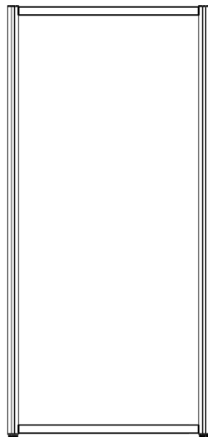
67H
2-Wide 3-High
Offset (D3W)

67H 2-WIDE 3-HIGH OFFSET (D3W)

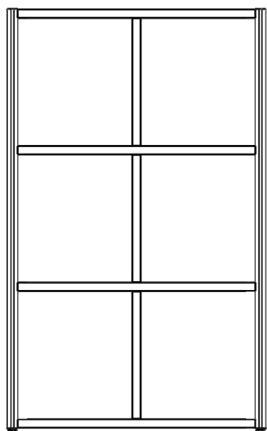
SKU	DESCRIPTION	LIST
FS-6748-D3W	67Hx48W Freestanding Screen	\$2,235
FS-6760-D3W	67Hx60W Freestanding Screen	\$2,535
FS-6772-D3W	67Hx72W Freestanding Screen	\$2,449
FS-6748-D3W-A	67Hx48W Freestanding Screen add on	\$2,065
FS-6760-D3W-A	67Hx60W Freestanding Screen add on	\$2,269
FS-6772-D3W-A	67Hx72W Freestanding Screen add on	\$2,295

FREESTANDING SCREENS

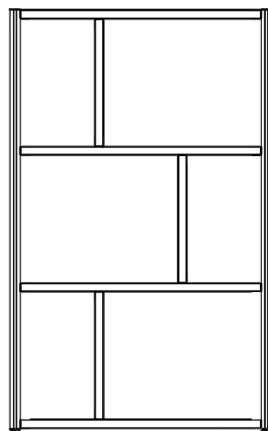
NOTE: OPS will assemble stand-alone freestanding screens that are 48" wide or smaller for no additional cost. Any screen that is over 48" wide would require a \$50.00 per screen assembly fee or will be shipped unassembled.



78H Single (S)



78H
2-Wide
3-High (D3)



78H
2-Wide 3-High
Offset (D3W)



FS-BASE

FS-BASE-CASTER

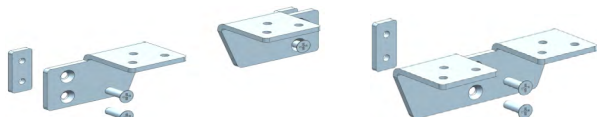
FS-BASE-HALF



FS-CLAMP

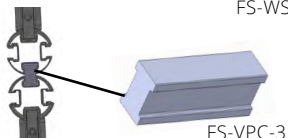


FS-BG-KIT



FS-WSS

FS-WSS-SHARE



FS-VPC-3

78H SINGLE (S)

SKU	DESCRIPTION	LIST
FS-7824-S	78Hx24W Freestanding Screen	\$1,395
FS-7830-S	78Hx30W Freestanding Screen	\$1,659
FS-7836-S	78Hx36W Freestanding Screen	\$2,025
FS-7848-S	78Hx48W Freestanding Screen	\$2,079
FS-7824-S-A	78Hx24W Freestanding Screen add on	\$1,099
FS-7830-S-A	78Hx30W Freestanding Screen add on	\$1,359
FS-7836-S-A	78Hx36W Freestanding Screen add on	\$1,715
FS-7848-S-A	78Hx48W Freestanding Screen add on	\$1,789

78H 2-WIDE 3-HIGH (D3)

SKU	DESCRIPTION	LIST
FS-7848-D3	78Hx48W Freestanding Screen	\$2,509
FS-7860-D3	78Hx60W Freestanding Screen	\$2,609
FS-7872-D3	78Hx72W Freestanding Screen	\$2,719
FS-7848-D3-A	78Hx48W Freestanding Screen add on	\$2,199
FS-7860-D3-A	78Hx60W Freestanding Screen add on	\$2,315
FS-7872-D3-A	78Hx72W Freestanding Screen add on	\$2,415

78H 2-WIDE 3-HIGH OFFSET (D3W)

SKU	DESCRIPTION	LIST
FS-7848-D3W	78Hx48W Freestanding Screen	\$2,429
FS-7860-D3W	78Hx60W Freestanding Screen	\$2,535
FS-7872-D3W	78Hx72W Freestanding Screen	\$2,645
FS-7848-D3W-A	78Hx48W Freestanding Screen add on	\$2,175
FS-7860-D3W-A	78Hx60W Freestanding Screen add on	\$2,269
FS-7872-D3W-A	78Hx72W Freestanding Screen add on	\$2,385

BASE OPTIONS

SKU	DESCRIPTION	LIST
FS-BASE	Base with adjustable glides	\$245
FS-BASE-CASTER	Base with casters	\$275
FS-BASE-HALF	Half circle base with glides	\$235
FS-CLAMP	Clamp 14,18,24 H screens to surface	\$82
FS-BG-KIT	Glide foot	\$32

SUPPORT CONNECTORS

SKU	DESCRIPTION	LIST
FS-WSS	Single Side Support Bracket	\$65
FS-WSS-SHARE	Double Side Support Bracket	\$54
FS-VPC-3	3" Vertical Post Connector, Set of 2	\$10

NOTE: FS-VPC-3 is used when connecting 2 full screens together. Screens that are 24"H - 53"H require (1) FS-VPC-3 per connection. 60"H or higher require (2) FS-VPC-3 per connection.

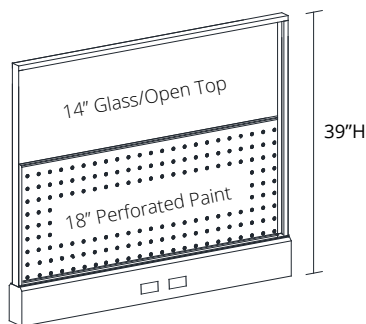
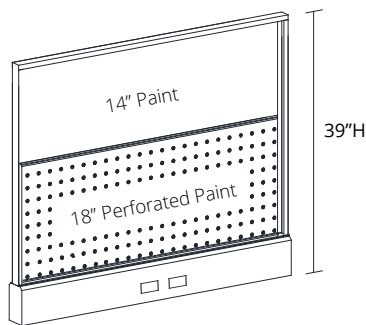
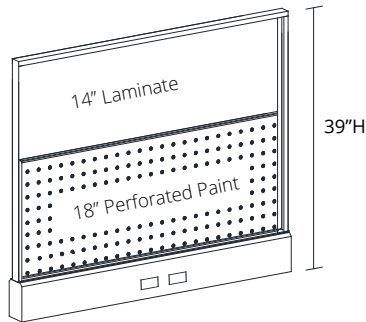
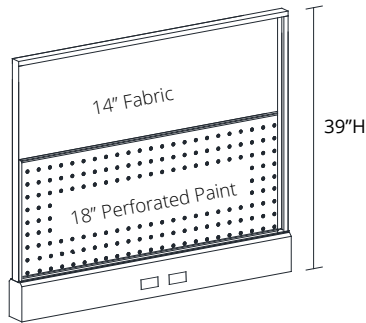
39”H
1814 CONFIGURATION

DESCRIPTION

Our 39H powered tile frame w/ an 1814 configuration holds an 18”H bottom tile and a 14”H top tile. Tiles are specified on both sides of the tile frame. Our fabric tiles come standard as fabric tackable acoustic.

Our OPS2 Tile System is fully compatible w/ our OPS2 Panel System and utilizes the same connectors.

Tile frames come in standard heights of 39, 53 and 67. Total height includes a 5” base and 2” for the tile frame. Additional heights of 47, 85 and 103 can be achieved through tile stackers. Tiles are available in widths of 24, 30, 36, 42 and 48.



TILE SYSTEM LEGEND					
TS	Tile System	PP	Perforated Painted Tile	P	Painted Tile
P	Powered	F	Fabric Tile	G/OM	Glass/Open Middle Tile
		L	Laminate	G/OT	Glass/Open Top Tile

NOTE: When specifying glass tiles, it is recommended to use glass on the outside and an open frame on the inside.

	SKU	DESCRIPTION	LIST
OPTION ONE	TS3924P1814.O1	Powered Tile Frame 3924P.18PP.14F	\$1,359
	TS3930P1814.O1	Powered Tile Frame 3930P.18PP.14F	\$1,479
	TS3936P1814.O1	Powered Tile Frame 3936P.18PP.14F	\$1,679
	TS3942P1814.O1	Powered Tile Frame 3942P.18PP.14F	\$1,809
	TS3948P1814.O1	Powered Tile Frame 3948P.18PP.14F	\$1,899

	SKU	DESCRIPTION	LIST
OPTION TWO	TS3924P1814.O2	Powered Tile Frame 3924P.18PP.14L	\$1,359
	TS3930P1814.O2	Powered Tile Frame 3930P.18PP.14L	\$1,479
	TS3936P1814.O2	Powered Tile Frame 3936P.18PP.14L	\$1,679
	TS3942P1814.O2	Powered Tile Frame 3942P.18PP.14L	\$1,809
	TS3948P1814.O2	Powered Tile Frame 3948P.18PP.14L	\$1,899

	SKU	DESCRIPTION	LIST
OPTION THREE	TS3924P1814.O3	Powered Tile Frame 3924P.18PP.14P	\$1,359
	TS3930P1814.O3	Powered Tile Frame 3930P.18PP.14P	\$1,479
	TS3936P1814.O3	Powered Tile Frame 3936P.18PP.14P	\$1,679
	TS3942P1814.O3	Powered Tile Frame 3942P.18PP.14P	\$1,809
	TS3948P1814.O3	Powered Tile Frame 3948P.18PP.14P	\$1,899

	SKU	DESCRIPTION	LIST
OPTION FOUR	TS3924P1814.O4	Powered Tile Frame 3924P.18PP.14G/OT	\$1,359
	TS3930P1814.O4	Powered Tile Frame 3930P.18PP.14G/OT	\$1,479
	TS3936P1814.O4	Powered Tile Frame 3936P.18PP.14G/OT	\$1,679
	TS3942P1814.O4	Powered Tile Frame 3942P.18PP.14G/OT	\$1,809
	TS3948P1814.O4	Powered Tile Frame 3948P.18PP.14G/OT	\$1,899

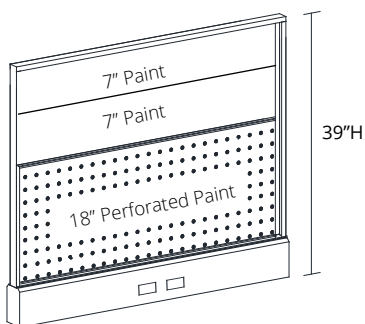
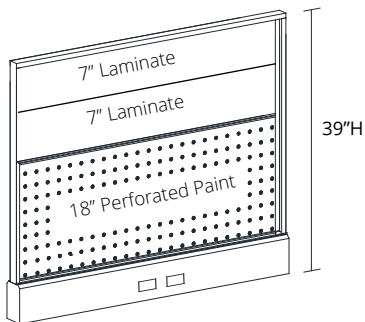
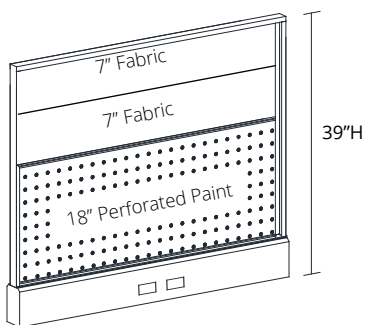
39"H 1877 CONFIGURATION

DESCRIPTION

Our 39H powered tile frame w/ an 1877 configuration holds an 18"H bottom tile followed by two 7" tiles. Tiles are specified on both sides of the tile frame. Our fabric tiles come standard as fabric tackable acoustic.

Our OPS2 Tile System is fully compatible w/ our OPS2 Panel System and utilizes the same connectors.

Tile frames come in standard heights of 39, 53 and 67. Total height includes a 5" base and 2" for the tile frame. Additional heights of 47, 85 and 103 can be achieved through tile stackers. Tiles are available in widths of 24, 30, 36, 42 and 48.



TILE SYSTEM LEGEND					
TS	Tile System	PP	Perforated Painted Tile	P	Painted Tile
P	Powered	F	Fabric Tile	G/OM	Glass/Open Middle Tile
		L	Laminate	G/OT	Glass/Open Top Tile

NOTE: When specifying glass tiles, it is recommended to use glass on the outside and an open frame on the inside.

	SKU	DESCRIPTION	LIST
OPTION ONE	TS3924P1877.O1	Powered Tile Frame 3924P.18PP.7F.7F	\$1,449
	TS3930P1877.O1	Powered Tile Frame 3930P.18PP.7F.7F	\$1,565
	TS3936P1877.O1	Powered Tile Frame 3936P.18PP.7F.7F	\$1,725
	TS3942P1877.O1	Powered Tile Frame 3942P.18PP.7F.7F	\$1,869
	TS3948P1877.O1	Powered Tile Frame 3948P.18PP.7F.7F	\$1,979

	SKU	DESCRIPTION	LIST
OPTION TWO	TS3924P1877.O2	Powered Tile Frame 3924P.18PP.7L.7L	\$1,449
	TS3930P1877.O2	Powered Tile Frame 3930P.18PP.7L.7L	\$1,565
	TS3936P1877.O2	Powered Tile Frame 3936P.18PP.7L.7L	\$1,725
	TS3942P1877.O2	Powered Tile Frame 3942P.18PP.7L.7L	\$1,869
	TS3948P1877.O2	Powered Tile Frame 3948P.18PP.7L.7L	\$1,979

	SKU	DESCRIPTION	LIST
OPTION THREE	TS3924P1877.O3	Powered Tile Frame 3924P.18PP.7P.7P	\$1,449
	TS3930P1877.O3	Powered Tile Frame 3930P.18PP.7P.7P	\$1,565
	TS3936P1877.O3	Powered Tile Frame 3936P.18PP.7P.7P	\$1,725
	TS3942P1877.O3	Powered Tile Frame 3942P.18PP.7P.7P	\$1,869
	TS3948P1877.O3	Powered Tile Frame 3948P.18PP.7P.7P	\$1,979

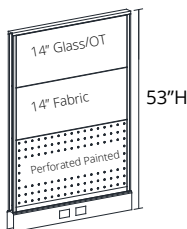
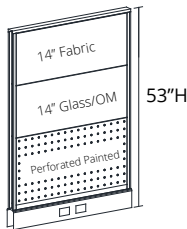
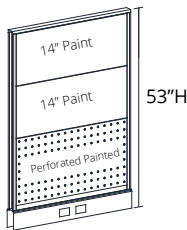
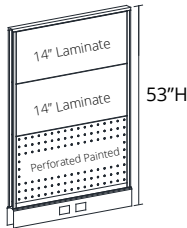
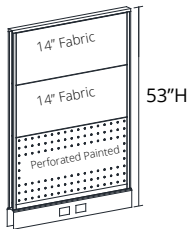
53”H 181414 CONFIGURATION

DESCRIPTION

Our 53H powered tile frame w/ an 181414 configuration holds an 18”H bottom tile followed by two 14” tiles. Tiles are specified on both sides of the tile frame. Our fabric tiles come standard as fabric tackable acoustic.

Our OPS2 Tile System is fully compatible w/ our OPS2 Panel System and utilizes the same connectors.

Tile frames come in standard heights of 39, 53 and 67. Total height includes a 5” base and 2” for the tile frame. Additional heights of 47, 85 and 103 can be achieved through tile stackers. Tiles are available in widths of 24, 30, 36, 42 and 48.



TILE SYSTEM LEGEND					
TS	Tile System	PP	Perforated Painted Tile	P	Painted Tile
P	Powered	F	Fabric Tile	G/OM	Glass/Open Middle Tile
		L	Laminate	G/OT	Glass/Open Top Tile

NOTE: When specifying glass tiles, it is recommended to use glass on the outside and an open frame on the inside.

	SKU	DESCRIPTION	LIST
OPTION ONE	TS5324P181414.O1	Powered Tile Frame 5324P.18PP.14F.14F	\$1,725
	TS5330P181414.O1	Powered Tile Frame 5330P.18PP.14F.14F	\$1,869
	TS5336P181414.O1	Powered Tile Frame 5336P.18PP.14F.14F	\$2,199
	TS5342P181414.O1	Powered Tile Frame 5342P.18PP.14F.14F	\$2,349
	TS5348P181414.O1	Powered Tile Frame 5348P.18PP.14F.14F	\$2,519

	SKU	DESCRIPTION	LIST
OPTION TWO	TS5324P181414.O2	Powered Tile Frame 5324P.18PP.14L.14L	\$1,725
	TS5330P181414.O2	Powered Tile Frame 5330P.18PP.14L.14L	\$1,869
	TS5336P181414.O2	Powered Tile Frame 5336P.18PP.14L.14L	\$2,199
	TS5342P181414.O2	Powered Tile Frame 5342P.18PP.14L.14L	\$2,349
	TS5348P181414.O2	Powered Tile Frame 5348P.18PP.14L.14L	\$2,519

	SKU	DESCRIPTION	LIST
OPTION THREE	TS5324P181414.O3	Powered Tile Frame 5324P.18PP.14P.14P	\$1,725
	TS5330P181414.O3	Powered Tile Frame 5330P.18PP.14P.14P	\$1,869
	TS5336P181414.O3	Powered Tile Frame 5336P.18PP.14P.14P	\$2,199
	TS5342P181414.O3	Powered Tile Frame 5342P.18PP.14P.14P	\$2,349
	TS5348P181414.O3	Powered Tile Frame 5348P.18PP.14P.14P	\$2,519

	SKU	DESCRIPTION	LIST
OPTION FOUR	TS5324P181414.O4	Powered Tile Frame 5324P.18PP.14G/OM.14F	\$1,725
	TS5330P181414.O4	Powered Tile Frame 5330P.18PP.14G/OM.14F	\$1,869
	TS5336P181414.O4	Powered Tile Frame 5336P.18PP.14G/OM.14F	\$2,199
	TS5342P181414.O4	Powered Tile Frame 5342P.18PP.14G/OM.14F	\$2,349
	TS5348P181414.O4	Powered Tile Frame 5348P.18PP.14G/OM.14F	\$2,519

	SKU	DESCRIPTION	LIST
OPTION FIVE	TS5324P181414.O5	Powered Tile Frame 5324P.18PP.14F.14G/OT	\$1,725
	TS5330P181414.O5	Powered Tile Frame 5330P.18PP.14F.14G/OT	\$1,869
	TS5336P181414.O5	Powered Tile Frame 5336P.18PP.14F.14G/OT	\$2,199
	TS5342P181414.O5	Powered Tile Frame 5342P.18PP.14F.14G/OT	\$2,349
	TS5348P181414.O5	Powered Tile Frame 5348P.18PP.14F.14G/OT	\$2,519

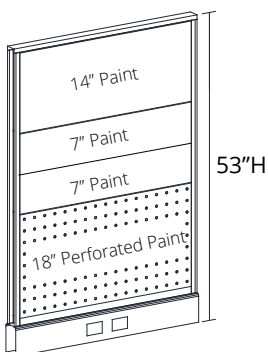
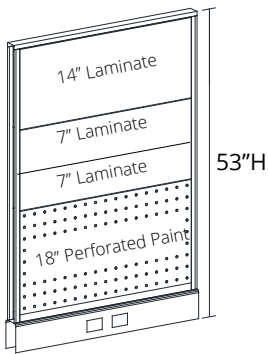
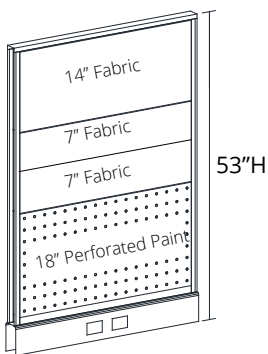
53”H 187714 CONFIGURATION

DESCRIPTION

Our 53H powered tile frame w/ an 187714 configuration holds an 18”H bottom tile followed by two 7” tiles and a 14” tile. Tiles are specified on both sides of the tile frame. Our fabric tiles come standard as fabric tackable acoustic.

Our OPS2 Tile System is fully compatible w/ our OPS2 Panel System and utilizes the same connectors.

Tile frames come in standard heights of 39, 53 and 67. Total height includes a 5” base and 2” for the tile frame. Additional heights of 47, 85 and 103 can be achieved through tile stackers. Tiles are available in widths of 24, 30, 36, 42 and 48.



TILE SYSTEM LEGEND					
TS	Tile System	PP	Perforated Painted Tile	P	Painted Tile
P	Powered	F	Fabric Tile	G/OM	Glass/Open Middle Tile
		L	Laminate	G/OT	Glass/Open Top Tile

NOTE: When specifying glass tiles, it is recommended to use glass on the outside and an open frame on the inside.

	SKU	DESCRIPTION	LIST
OPTION ONE	TS5324P187714.O1	Powered Tile Frame 5324P.18PP.7F.7F.14F	\$1,819
	TS5330P187714.O1	Powered Tile Frame 5330P.18PP.7F.7F.14F	\$1,979
	TS5336P187714.O1	Powered Tile Frame 5336P.18PP.7F.7F.14F	\$2,255
	TS5342P187714.O1	Powered Tile Frame 5342P.18PP.7F.7F.14F	\$2,429
	TS5348P187714.O1	Powered Tile Frame 5348P.18PP.7F.7F.14F	\$2,599

	SKU	DESCRIPTION	LIST
OPTION TWO	TS5324P187714.O2	Powered Tile Frame 5324P.18PP.7L.7L.14L	\$1,819
	TS5330P187714.O2	Powered Tile Frame 5330P.18PP.7L.7L.14L	\$1,979
	TS5336P187714.O2	Powered Tile Frame 5336P.18PP.7L.7L.14L	\$2,255
	TS5342P187714.O2	Powered Tile Frame 5342P.18PP.7L.7L.14L	\$2,429
	TS5348P187714.O2	Powered Tile Frame 5348P.18PP.7L.7L.14L	\$2,599

	SKU	DESCRIPTION	LIST
OPTION THREE	TS5324P187714.O3	Powered Tile Frame 5324P.18PP.7P.7P.14P	\$1,819
	TS5330P187714.O3	Powered Tile Frame 5330P.18PP.7P.7P.14P	\$1,979
	TS5336P187714.O3	Powered Tile Frame 5336P.18PP.7P.7P.14P	\$2,255
	TS5342P187714.O3	Powered Tile Frame 5342P.18PP.7P.7P.14P	\$2,429
	TS5348P187714.O3	Powered Tile Frame 5348P.18PP.7P.7P.14P	\$2,599

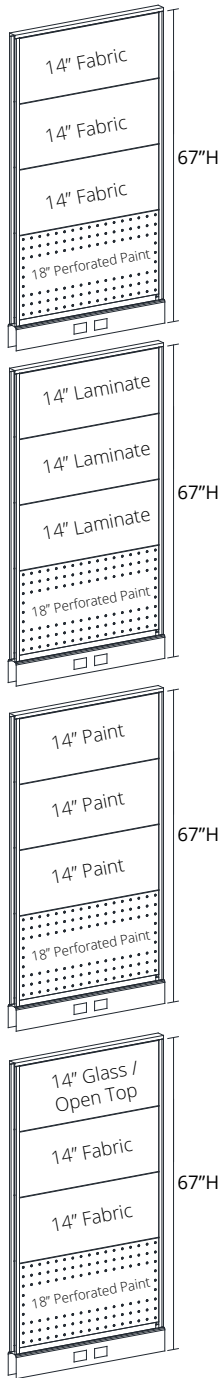
67”H 18141414 CONFIGURATION

DESCRIPTION

Our 67H powered tile frame w/ an 18141414 configuration holds an 18”H bottom tile followed by three 14” tiles. Tiles are specified on both sides of the tile frame. Our fabric tiles come standard as fabric tackable acoustic.

Our OPS2 Tile System is fully compatible w/ our OPS2 Panel System and utilizes the same connectors.

Tile frames come in standard heights of 39, 53 and 67. Total height includes a 5” base and 2” for the tile frame. Additional heights of 47, 85 and 103 can be achieved through tile stackers. Tiles are available in widths of 24, 30, 36, 42 and 48.



TILE SYSTEM LEGEND					
TS	Tile System	PP	Perforated Painted Tile	P	Painted Tile
P	Powered	F	Fabric Tile	G/OM	Glass/Open Middle Tile
		L	Laminate	G/OT	Glass/Open Top Tile

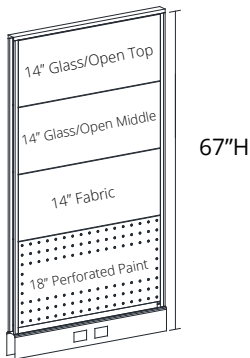
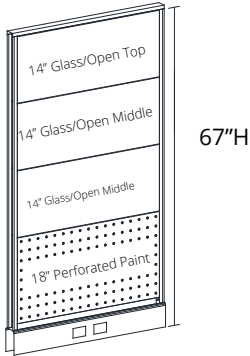
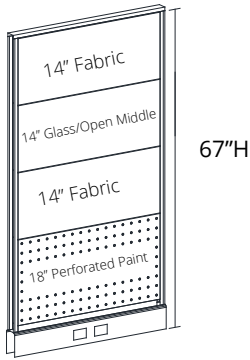
NOTE: When specifying glass tiles, it is recommended to use glass on the outside and an open frame on the inside.

	SKU	DESCRIPTION	LIST
OPTION ONE	TS6724P18141414.O1	Powered Tile Frame 6724P.18PP.14F.14F.14F	\$2,095
	TS6730P18141414.O1	Powered Tile Frame 6730P.18PP.14F.14F.14F	\$2,269
	TS6736P18141414.O1	Powered Tile Frame 6736P.18PP.14F.14F.14F	\$2,709
	TS6742P18141414.O1	Powered Tile Frame 6742P.18PP.14F.14F.14F	\$2,909
	TS6748P18141414.O1	Powered Tile Frame 6748P.18PP.14F.14F.14F	\$3,105

	SKU	DESCRIPTION	LIST
OPTION TWO	TS6724P18141414.O2	Powered Tile Frame 6724P.18PP.14L.14L.14L	\$2,095
	TS6730P18141414.O2	Powered Tile Frame 6730P.18PP.14L.14L.14L	\$2,269
	TS6736P18141414.O2	Powered Tile Frame 6736P.18PP.14L.14L.14L	\$2,709
	TS6742P18141414.O2	Powered Tile Frame 6742P.18PP.14L.14L.14L	\$2,909
	TS6748P18141414.O2	Powered Tile Frame 6748P.18PP.14L.14L.14L	\$3,105

	SKU	DESCRIPTION	LIST
OPTION THREE	TS6724P18141414.O3	Powered Tile Frame 6724P.18PP.14P.14P.14P	\$2,095
	TS6730P18141414.O3	Powered Tile Frame 6730P.18PP.14P.14P.14P	\$2,269
	TS6736P18141414.O3	Powered Tile Frame 6736P.18PP.14P.14P.14P	\$2,709
	TS6742P18141414.O3	Powered Tile Frame 6742P.18PP.14P.14P.14P	\$2,909
	TS6748P18141414.O3	Powered Tile Frame 6748P.18PP.14P.14P.14P	\$3,105

	SKU	DESCRIPTION	LIST
OPTION FOUR	TS6724P18141414.O4	Powered Tile Frame 6724P.18PP.14F.14F.14G/OT	\$2,095
	TS6730P18141414.O4	Powered Tile Frame 6730P.18PP.14F.14F.14G/OT	\$2,269
	TS6736P18141414.O4	Powered Tile Frame 6736P.18PP.14F.14F.14G/OT	\$2,709
	TS6742P18141414.O4	Powered Tile Frame 6742P.18PP.14F.14F.14G/OT	\$2,909
	TS6748P18141414.O4	Powered Tile Frame 6748P.18PP.14F.14F.14G/OT	\$3,105



	SKU	DESCRIPTION	LIST
OPTION FIVE	TS6724P18141414.O5	Powered Tile Frame 6724P.18PP.14F.14G/OM.14F	\$2,095
	TS6730P18141414.O5	Powered Tile Frame 6730P.18PP.14F.14G/OM.14F	\$2,269
	TS6736P18141414.O5	Powered Tile Frame 6736P.18PP.14F.14G/OM.14F	\$2,709
	TS6742P18141414.O5	Powered Tile Frame 6742P.18PP.14F.14G/OM.14F	\$2,909
	TS6748P18141414.O5	Powered Tile Frame 6748P.18PP.14F.14G/OM.14F	\$3,105

	SKU	DESCRIPTION	LIST
OPTION SIX	TS6724P18141414.O6	Powered Tile Frame 6724P.18PP.14G/OM.14G/OM.14G/OT	\$2,095
	TS6730P18141414.O6	Powered Tile Frame 6730P.18PP.14G/OM.14G/OM.14G/OT	\$2,269
	TS6736P18141414.O6	Powered Tile Frame 6736P.18PP.14G/OM.14G/OM.14G/OT	\$2,709
	TS6742P18141414.O6	Powered Tile Frame 6742P.18PP.14G/OM.14G/OM.14G/OT	\$2,909
	TS6748P18141414.O6	Powered Tile Frame 6748P.18PP.14G/OM.14G/OM.14G/OT	\$3,105

	SKU	DESCRIPTION	LIST
OPTION SEVEN	TS6724P18141414.O7	Powered Tile Frame 6724P.18PP.14F.14G/OM.14G/OT	\$2,095
	TS6730P18141414.O7	Powered Tile Frame 6730P.18PP.14F.14G/OM.14G/OT	\$2,269
	TS6736P18141414.O7	Powered Tile Frame 6736P.18PP.14F.14G/OM.14G/OT	\$2,709
	TS6742P18141414.O7	Powered Tile Frame 6742P.18PP.14F.14G/OM.14G/OT	\$2,909
	TS6748P18141414.O7	Powered Tile Frame 6748P.18PP.14F.14G/OM.14G/OT	\$3,105

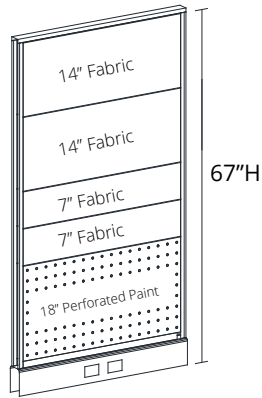
67”H
18771414 CONFIGURATION

DESCRIPTION

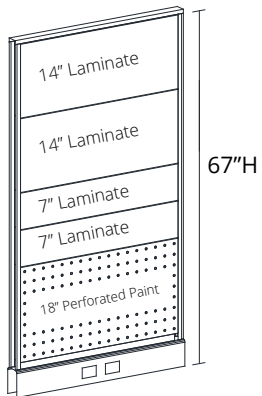
Our 67H powered tile frame w/ an 18771414 configuration holds an 18”H bottom tile followed by two 7” tiles and two 14” tiles. Tiles are specified on both sides of the tile frame. Our fabric tiles come standard as fabric tackable acoustic.

Our OPS2 Tile System is fully compatible w/ our OPS2 Panel System and utilizes the same connectors.

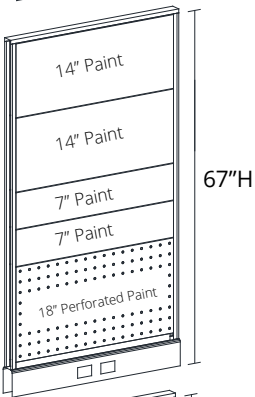
Tile frames come in standard heights of 39, 53 and 67. Total height includes a 5” base and 2” for the tile frame. Additional heights of 47, 85 and 103 can be achieved through tile stackers. Tiles are available in widths of 24, 30, 36, 42 and 48.



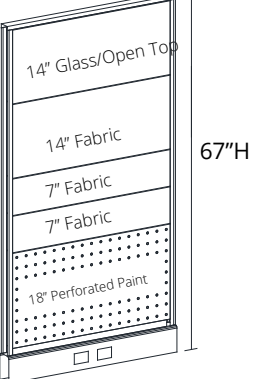
	SKU	DESCRIPTION	LIST
OPTION ONE	TS6724P18771414.O1	Powered Tile Frame 6724P.18PP.7F.7F.14F.14F	\$2,189
	TS6730P18771414.O1	Powered Tile Frame 6730P.18PP.7F.7F.14F.14F	\$2,349
	TS6736P18771414.O1	Powered Tile Frame 6736P.18PP.7F.7F.14F.14F	\$2,769
	TS6742P18771414.O1	Powered Tile Frame 6742P.18PP.7F.7F.14F.14F	\$2,985
	TS6748P18771414.O1	Powered Tile Frame 6748P.18PP.7F.7F.14F.14F	\$3,185



	SKU	DESCRIPTION	LIST
OPTION TWO	TS6724P18771414.O2	Powered Tile Frame 6724P.18PP.7L.7L.14L.14L	\$2,189
	TS6730P18771414.O2	Powered Tile Frame 6730P.18PP.7L.7L.14L.14L	\$2,349
	TS6736P18771414.O2	Powered Tile Frame 6736P.18PP.7L.7L.14L.14L	\$2,769
	TS6742P18771414.O2	Powered Tile Frame 6742P.18PP.7L.7L.14L.14L	\$2,985
	TS6748P18771414.O2	Powered Tile Frame 6748P.18PP.7L.7L.14L.14L	\$3,185



	SKU	DESCRIPTION	LIST
OPTION THREE	TS6724P18771414.O3	Powered Tile Frame 6724P.18PP.7P.7P.14P.14P	\$2,189
	TS6730P18771414.O3	Powered Tile Frame 6730P.18PP.7P.7P.14P.14P	\$2,349
	TS6736P18771414.O3	Powered Tile Frame 6736P.18PP.7P.7P.14P.14P	\$2,769
	TS6742P18771414.O3	Powered Tile Frame 6742P.18PP.7P.7P.14P.14P	\$2,985
	TS6748P18771414.O3	Powered Tile Frame 6748P.18PP.7P.7P.14P.14P	\$3,185



	SKU	DESCRIPTION	LIST
OPTION FOUR	TS6724P18771414.O4	Powered Tile Frame 6724P.18PP.7F.7F.14F.14G/OT	\$2,189
	TS6730P18771414.O4	Powered Tile Frame 6730P.18PP.7F.7F.14F.14G/OT	\$2,349
	TS6736P18771414.O4	Powered Tile Frame 6736P.18PP.7F.7F.14F.14G/OT	\$2,769
	TS6742P18771414.O4	Powered Tile Frame 6742P.18PP.7F.7F.14F.14G/OT	\$2,985
	TS6748P18771414.O4	Powered Tile Frame 6748P.18PP.7F.7F.14F.14G/OT	\$3,185

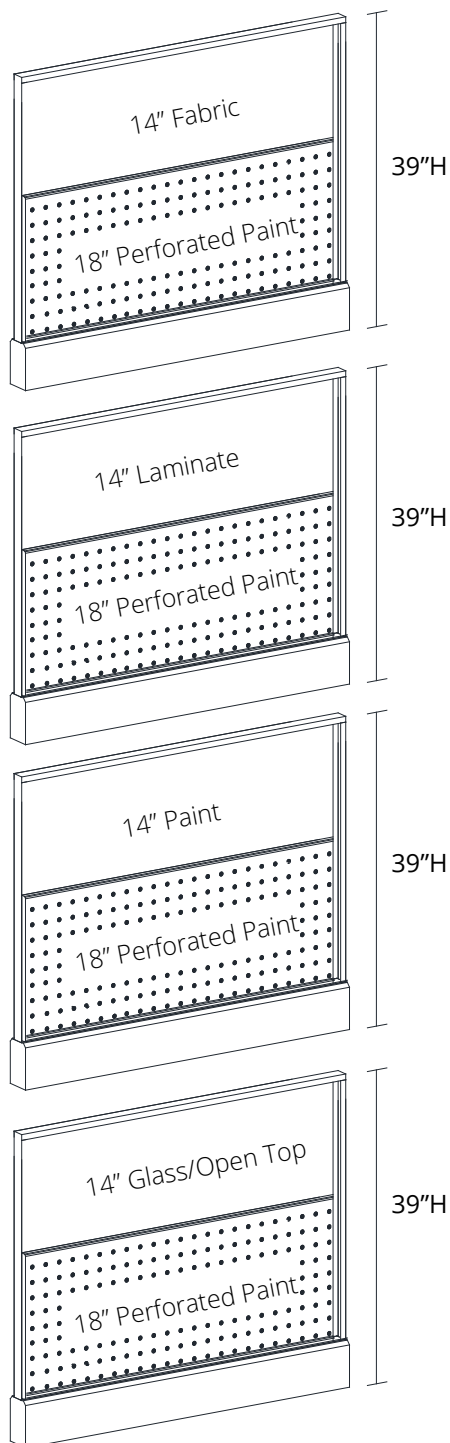
39"H 1814 CONFIGURATION

DESCRIPTION

Our 39H non-powered tile frame w/ an 1814 configuration holds an 18"H bottom tile and a 14"H top tile. Tiles are specified on both sides of the tile frame. Our fabric tiles come standard as fabric tackable acoustic.

Our OPS2 Tile System is fully compatible w/ our OPS2 Panel System and utilizes the same connectors. Non-powered tiles have Version 2 rails and aluminum top caps.

Tile frames come in standard heights of 39, 53 and 67. Total height includes a 5" base and 2" for the tile frame. Additional heights of 47, 85 and 103 can be achieved through tile stackers. Tiles are available in widths of 24, 30, 36, 42 and 48.



TILE SYSTEM LEGEND					
TS	Tile System	PP	Perforated Painted Tile	P	Painted Tile
P	Powered	F	Fabric Tile	G/OM	Glass/Open Middle Tile
		L	Laminate	G/OT	Glass/Open Top Tile

NOTE: When specifying glass tiles, it is recommended to use glass on the outside and an open frame on the inside.

	SKU	DESCRIPTION	LIST
OPTION ONE	TS39241814.O1	Non-Powered Tile Frame 3924.18PP.14F	\$995
	TS39301814.O1	Non-Powered Tile Frame 3930.18PP.14F	\$1,109
	TS39361814.O1	Non-Powered Tile Frame 3936.18PP.14F	\$1,309
	TS39421814.O1	Non-Powered Tile Frame 3942.18PP.14F	\$1,429
	TS39481814.O1	Non-Powered Tile Frame 3948.18PP.14F	\$1,579

	SKU	DESCRIPTION	LIST
OPTION TWO	TS39241814.O2	Non-Powered Tile Frame 3924.18PP.14L	\$995
	TS39301814.O2	Non-Powered Tile Frame 3930.18PP.14L	\$1,109
	TS39361814.O2	Non-Powered Tile Frame 3936.18PP.14L	\$1,309
	TS39421814.O2	Non-Powered Tile Frame 3942.18PP.14L	\$1,429
	TS39481814.O2	Non-Powered Tile Frame 3948.18PP.14L	\$1,579

	SKU	DESCRIPTION	LIST
OPTION THREE	TS39241814.O3	Non-Powered Tile Frame 3924.18PP.14P	\$995
	TS39301814.O3	Non-Powered Tile Frame 3930.18PP.14P	\$1,109
	TS39361814.O3	Non-Powered Tile Frame 3936.18PP.14P	\$1,309
	TS39421814.O3	Non-Powered Tile Frame 3942.18PP.14P	\$1,429
	TS39481814.O3	Non-Powered Tile Frame 3948.18PP.14P	\$1,579

	SKU	DESCRIPTION	LIST
OPTION THREE	TS39241814.O4	Non-Powered Tile Frame 3924.18PP.14G/OT	\$995
	TS39301814.O4	Non-Powered Tile Frame 3930.18PP.14G/OT	\$1,109
	TS39361814.O4	Non-Powered Tile Frame 3936.18PP.14G/OT	\$1,309
	TS39421814.O4	Non-Powered Tile Frame 3942.18PP.14G/OT	\$1,429
	TS39481814.O4	Non-Powered Tile Frame 3948P18PP.14G/OT	\$1,579

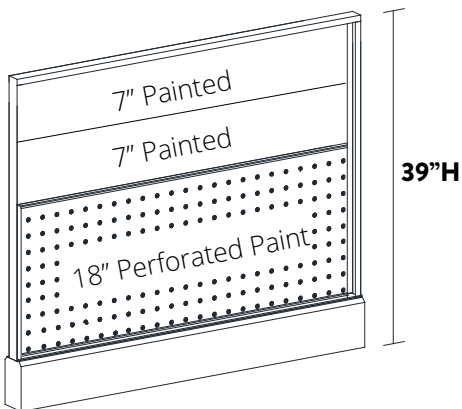
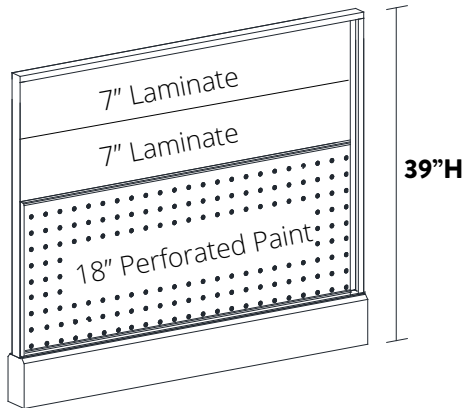
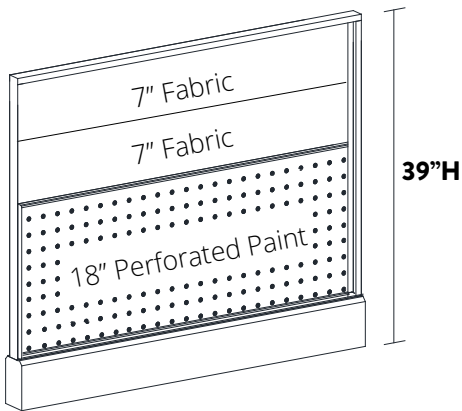
39”H 1877 CONFIGURATION

DESCRIPTION

Our 39H non-powered tile frame w/ an 1877 configuration holds an 18”H bottom tile and two 7”H top tiles. Tiles are specified on both sides of the tile frame. Our fabric tiles come standard as fabric tackable acoustic.

Our OPS2 Tile System is fully compatible w/ our OPS2 Panel System and utilizes the same connectors. Non-powered tiles have Version 2 rails and aluminum top caps.

Tile frames come in standard heights of 39, 53 and 67. Total height includes a 5” base and 2” for the tile frame. Additional heights of 47, 85 and 103 can be achieved through tile stackers. Tiles are available in widths of 24, 30, 36, 42 and 48.



TILE SYSTEM LEGEND

TS Tile System	PP Perforated Painted Tile	P Painted Tile
P Powered	F Fabric Tile	G/OM Glass/Open Middle Tile
	L Laminate	G/OT Glass/Open Top Tile

	SKU	DESCRIPTION	LIST
OPTION ONE	TS39241877.O1	Non-Powered Tile Frame 3924.18PP.7F.7F	\$1,089
	TS39301877.O1	Non-Powered Tile Frame 3930.18PP.7F.7F	\$1,189
	TS39361877.O1	Non-Powered Tile Frame 3936.18PP.7F.7F	\$1,359
	TS39421877.O1	Non-Powered Tile Frame 3942.18PP.7F.7F	\$1,505
	TS39481877.O1	Non-Powered Tile Frame 3948.18PP.7F.7F	\$1,649

	SKU	DESCRIPTION	LIST
OPTION TWO	TS39241877.O2	Non-Powered Tile Frame 3924.18PP.7L.7L	\$1,089
	TS39301877.O2	Non-Powered Tile Frame 3930.18PP.7L.7L	\$1,189
	TS39361877.O2	Non-Powered Tile Frame 3936.18PP.7L.7L	\$1,359
	TS39421877.O2	Non-Powered Tile Frame 3942.18PP.7L.7L	\$1,505
	TS39481877.O2	Non-Powered Tile Frame 3948.18PP.7L.7L	\$1,649

	SKU	DESCRIPTION	LIST
OPTION THREE	TS39241877.O3	Non-Powered Tile Frame 3924.18PP.7P.7P	\$1,089
	TS39301877.O3	Non-Powered Tile Frame 3930.18PP.7P.7P	\$1,189
	TS39361877.O3	Non-Powered Tile Frame 3936.18PP.7P.7P	\$1,359
	TS39421877.O3	Non-Powered Tile Frame 3942.18PP.7P.7P	\$1,505
	TS39481877.O3	Non-Powered Tile Frame 3948.18PP.7P.7P	\$1,649

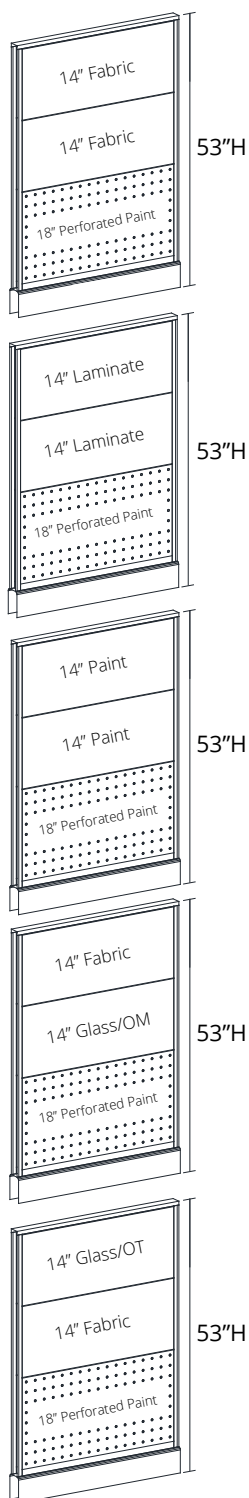
53”H 181414 CONFIGURATION

DESCRIPTION

Our 53H non-powered tile frame w/ an 181414 configuration holds an 18”H bottom tile and two 14”H top tiles. Tiles are specified on both sides of the tile frame. Our fabric tiles come standard as fabric tackable acoustic.

Our OPS2 Tile System is fully compatible w/ our OPS2 Panel System and utilizes the same connectors. Non-powered tiles have Version 2 rails and aluminum top caps.

Tile frames come in standard heights of 39, 53 and 67. Total height includes a 5” base and 2” for the tile frame. Additional heights of 47, 85 and 103 can be achieved through tile stackers. Tiles are available in widths of 24, 30, 36, 42 and 48.



TILE SYSTEM LEGEND					
TS	Tile System	PP	Perforated Painted Tile	P	Painted Tile
P	Powered	F	Fabric Tile	G/OM	Glass/Open Middle Tile
		L	Laminate	G/OT	Glass/Open Top Tile

NOTE: When specifying glass tiles, it is recommended to use glass on the outside and an open frame on the inside.

	SKU	DESCRIPTION	LIST
OPTION ONE	TS5324181414.01	Non-Powered Tile Frame 5324.18PP.14F.14F	\$1,359
	TS5330181414.01	Non-Powered Tile Frame 5330.18PP.14F.14F	\$1,505
	TS5336181414.01	Non-Powered Tile Frame 5336.18PP.14F.14F	\$1,829
	TS5342181414.01	Non-Powered Tile Frame 5342.18PP.14F.14F	\$2,005
	TS5348181414.01	Non-Powered Tile Frame 5348.18PP.14F.14F	\$2,149

	SKU	DESCRIPTION	LIST
OPTION TWO	TS5324181414.02	Non-Powered Tile Frame 5324.18PP.14L.14L	\$1,359
	TS5330181414.02	Non-Powered Tile Frame 5330.18PP.14L.14L	\$1,505
	TS5336181414.02	Non-Powered Tile Frame 5336.18PP.14L.14L	\$1,829
	TS5342181414.02	Non-Powered Tile Frame 5342.18PP.14L.14L	\$2,005
	TS5348181414.02	Non-Powered Tile Frame 5348.18PP.14L.14L	\$2,149

	SKU	DESCRIPTION	LIST
OPTION THREE	TS5324181414.03	Non-Powered Tile Frame 5324.18PP.14P.14P	\$1,359
	TS5330181414.03	Non-Powered Tile Frame 5330.18PP.14P.14P	\$1,505
	TS5336181414.03	Non-Powered Tile Frame 5336.18PP.14P.14P	\$1,829
	TS5342181414.03	Non-Powered Tile Frame 5342.18PP.14P.14P	\$2,005
	TS5348181414.03	Non-Powered Tile Frame 5348.18PP.14P.14P	\$2,149

	SKU	DESCRIPTION	LIST
OPTION FOUR	TS5324181414.04	Non-Powered Tile Frame 5324.18PP.14G/OM.14F	\$1,359
	TS5330181414.04	Non-Powered Tile Frame 5330.18PP.14G/OM.14F	\$1,505
	TS5336181414.04	Non-Powered Tile Frame 5336.18PP.14G/OM.14F	\$1,829
	TS5342181414.04	Non-Powered Tile Frame 5342.18PP.14G/OM.14F	\$2,005
	TS5348181414.04	Non-Powered Tile Frame 5348.18PP.14G/OM.14F	\$2,149

	SKU	DESCRIPTION	LIST
OPTION FIVE	TS5324181414.05	Non-Powered Tile Frame 5324.18PP.14F.14G/OT	\$1,359
	TS5330181414.05	Non-Powered Tile Frame 5330.18PP.14F.14G/OT	\$1,505
	TS5336181414.05	Non-Powered Tile Frame 5336.18PP.14F.14G/OT	\$1,829
	TS5342181414.05	Non-Powered Tile Frame 5342.18PP.14F.14G/OT	\$2,005
	TS5348181414.05	Non-Powered Tile Frame 5348.18PP.14F.14G/OT	\$2,149

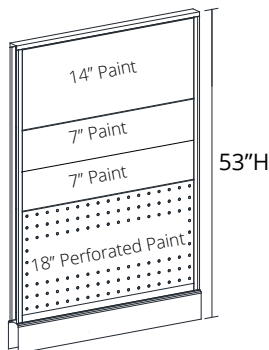
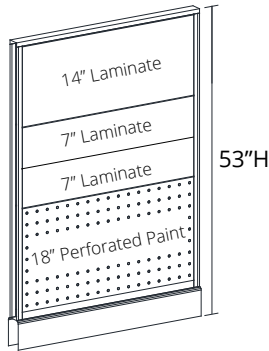
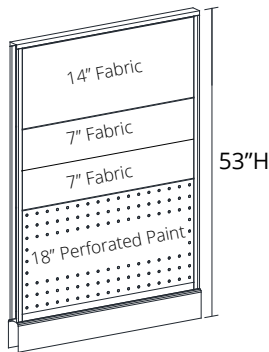
53”H 187714 CONFIGURATION

DESCRIPTION

Our 53H non-powered tile frame w/ an 187714 configuration holds an 18”H bottom tile followed by two 7”H tiles and a 14”H tile. Tiles are specified on both sides of the tile frame. Our fabric tiles come standard as fabric tackable acoustic.

Our OPS2 Tile System is fully compatible w/ our OPS2 Panel System and utilizes the same connectors. Non-powered tiles have Version 2 rails and aluminum top caps.

Tile frames come in standard heights of 39, 53 and 67. Total height includes a 5” base and 2” for the tile frame. Additional heights of 47, 85 and 103 can be achieved through tile stackers. Tiles are available in widths of 24, 30, 36, 42 and 48.



TILE SYSTEM LEGEND					
TS	Tile System	PP	Perforated Painted Tile	P	Painted Tile
P	Powered	F	Fabric Tile	G/OM	Glass/Open Middle Tile
		L	Laminate	G/OT	Glass/Open Top Tile

	SKU	DESCRIPTION	LIST
OPTION ONE	TS5324187714.01	Non-Powered Tile Frame 5324.18PP.7F.7F.14F	\$1,449
	TS5330187714.01	Non-Powered Tile Frame 5330.18PP.7F.7F.14F	\$1,595
	TS5336187714.01	Non-Powered Tile Frame 5336.18PP.7F.7F.14F	\$1,879
	TS5342187714.01	Non-Powered Tile Frame 5342.18PP.7F.7F.14F	\$2,065
	TS5348187714.01	Non-Powered Tile Frame 5348.18PP.7F.7F.14F	\$2,225

	SKU	DESCRIPTION	LIST
OPTION TWO	TS5324187714.02	Non-Powered Tile Frame 5324.18PP.7L.7L.14L	\$1,449
	TS5330187714.02	Non-Powered Tile Frame 5330.18PP.7L.7L.14L	\$1,595
	TS5336187714.02	Non-Powered Tile Frame 5336.18PP.7L.7L.14L	\$1,879
	TS5342187714.02	Non-Powered Tile Frame 5342.18PP.7L.7L.14L	\$2,065
	TS5348187714.02	Non-Powered Tile Frame 5348.18PP.7L.7L.14L	\$2,225

	SKU	DESCRIPTION	LIST
OPTION THREE	TS5324187714.03	Non-Powered Tile Frame 5324.18PP.7P.7P.14P	\$1,449
	TS5330187714.03	Non-Powered Tile Frame 5330.18PP.7P.7P.14P	\$1,595
	TS5336187714.03	Non-Powered Tile Frame 5336.18PP.7P.7P.14P	\$1,879
	TS5342187714.03	Non-Powered Tile Frame 5342.18PP.7P.7P.14P	\$2,065
	TS5348187714.03	Non-Powered Tile Frame 5348.18PP.7P.7P.14P	\$2,225

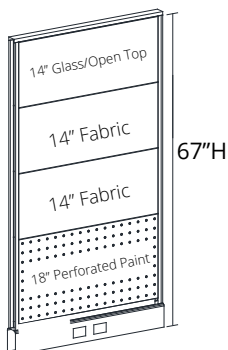
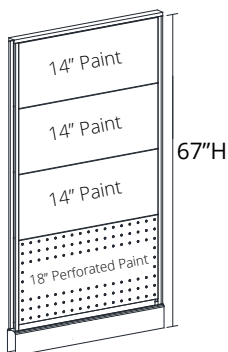
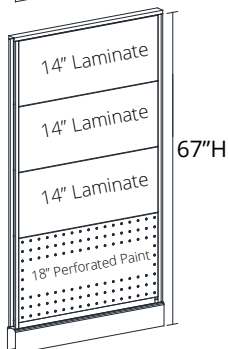
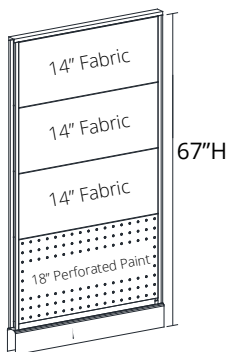
67"H 18141414 CONFIGURATION

DESCRIPTION

Our 67H non-powered tile frame w/ an 18141414 configuration holds an 18"H bottom tile followed by three 14" tiles. Tiles are specified on both sides of the tile frame. Our fabric tiles come standard as fabric tackable acoustic.

Our OPS2 Tile System is fully compatible w/ our OPS2 Panel System and utilizes the same connectors. Non-powered tiles have Version 2 rails and aluminum top caps.

Tile frames come in standard heights of 39, 53 and 67. Total height includes a 5" base and 2" for the tile frame. Additional heights of 47, 85 and 103 can be achieved through tile stackers. Tiles are available in widths of 24, 30, 36, 42 and 48.



TILE SYSTEM LEGEND					
TS	Tile System	PP	Perforated Painted Tile	P	Painted Tile
P	Powered	F	Fabric Tile	G/OM	Glass/Open Middle Tile
		L	Laminate	G/OT	Glass/Open Top Tile

NOTE: When specifying glass tiles, it is recommended to use glass on the outside and an open frame on the inside.

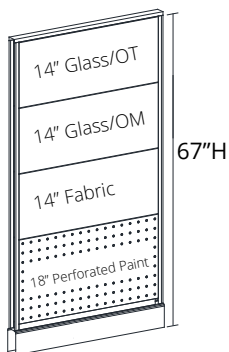
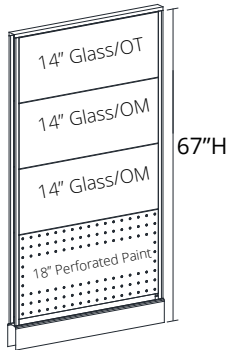
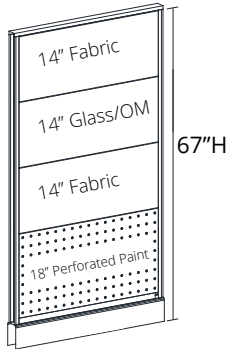
	SKU	DESCRIPTION	LIST
OPTION ONE	TS672418141414.O1	Non-Powered Tile Frame 6724.18PP.14F.14F.14F	\$1,725
	TS673018141414.O1	Non-Powered Tile Frame 6730.18PP.14F.14F.14F	\$1,899
	TS673618141414.O1	Non-Powered Tile Frame 6736.18PP.14F.14F.14F	\$2,339
	TS674218141414.O1	Non-Powered Tile Frame 6742.18PP.14F.14F.14F	\$2,545
	TS674818141414.O1	Non-Powered Tile Frame 6748.18PP.14F.14F.14F	\$2,739

	SKU	DESCRIPTION	LIST
OPTION TWO	TS672418141414.O2	Non-Powered Tile Frame 6724.18PP.14L.14L.14L	\$1,725
	TS673018141414.O2	Non-Powered Tile Frame 6730.18PP.14L.14L.14L	\$1,899
	TS673618141414.O2	Non-Powered Tile Frame 6736.18PP.14L.14L.14L	\$2,339
	TS674218141414.O2	Non-Powered Tile Frame 6742.18PP.14L.14L.14L	\$2,545
	TS674818141414.O2	Non-Powered Tile Frame 6748.18PP.14L.14L.14L	\$2,739

	SKU	DESCRIPTION	LIST
OPTION THREE	TS672418141414.O3	Non-Powered Tile Frame 6724.18PP.14P.14P.14P	\$1,725
	TS673018141414.O3	Non-Powered Tile Frame 6730.18PP.14P.14P.14P	\$1,899
	TS673618141414.O3	Non-Powered Tile Frame 6736.18PP.14P.14P.14P	\$2,339
	TS674218141414.O3	Non-Powered Tile Frame 6742.18PP.14P.14P.14P	\$2,545
	TS674818141414.O3	Non-Powered Tile Frame 6748.18PP.14P.14P.14P	\$2,739

	SKU	DESCRIPTION	LIST
OPTION FOUR	TS672418141414.O4	Non-Powered Tile Frame 6724.18PP.14F.14F.14G/OT	\$1,725
	TS673018141414.O4	Non-Powered Tile Frame 6730.18PP.14F.14F.14G/OT	\$1,899
	TS673618141414.O4	Non-Powered Tile Frame 6736.18PP.14F.14F.14G/OT	\$2,339
	TS674218141414.O4	Non-Powered Tile Frame 6742.18PP.14F.14F.14G/OT	\$2,545
	TS674818141414.O4	Non-Powered Tile Frame 6748.18PP.14F.14F.14G/OT	\$2,739

**67”H
18141414 CONFIGURATION
CONTINUED.**



TILE SYSTEM LEGEND					
TS	Tile System	PP	Perforated Painted Tile	P	Painted Tile
P	Powered	F	Fabric Tile	G/OM	Glass/Open Middle Tile
		L	Laminate	G/OT	Glass/Open Top Tile

	SKU	DESCRIPTION	LIST
OPTION FIVE	TS672418141414.O5	Non-Powered Tile Frame 6724.18PP.14F.14G/OM.14F	\$1,725
	TS673018141414.O5	Non-Powered Tile Frame 6730.18PP.14F.14G/OM.14F	\$1,899
	TS673618141414.O5	Non-Powered Tile Frame 6736.18PP.14F.14G/OM.14F	\$2,339
	TS674218141414.O5	Non-Powered Tile Frame 6742.18PP.14F.14G/OM.14F	\$2,545
	TS674818141414.O5	Non-Powered Tile Frame 6748.18PP.14F.14G/OM.14F	\$2,739

	SKU	DESCRIPTION	LIST
OPTION SIX	TS672418141414.O6	Non-Powered Tile Frame 6724.18PP.14G/OM.14G/OM.14G/OT	\$1,725
	TS673018141414.O6	Non-Powered Tile Frame 6730.18PP.14G/OM.14G/OM.14G/OT	\$1,899
	TS673618141414.O6	Non-Powered Tile Frame 6736.18PP.14G/OM.14G/OM.14G/OT	\$2,339
	TS674218141414.O6	Non-Powered Tile Frame 6742.18PP.14G/OM.14G/OM.14G/OT	\$2,545
	TS674818141414.O6	Non-Powered Tile Frame 6748.18PP.14G/OM.14G/OM.14T/OT	\$2,739

	SKU	DESCRIPTION	LIST
OPTION SEVEN	TS672418141414.O7	Non-Powered Tile Frame 6724.18PP.14F.14G/OM.14G/OT	\$1,725
	TS673018141414.O7	Non-Powered Tile Frame 6730.18PP.14F.14G/OM.14G/OT	\$1,899
	TS673618141414.O7	Non-Powered Tile Frame 6736.18PP.14F.14G/OM.14G/OT	\$2,339
	TS674218141414.O7	Non-Powered Tile Frame 6742.18PP.14F.14G/OM.14G/OT	\$2,545
	TS674818141414.O7	Non-Powered Tile Frame 6748.18PP.14F.14G/OM.14G/OT	\$2,739

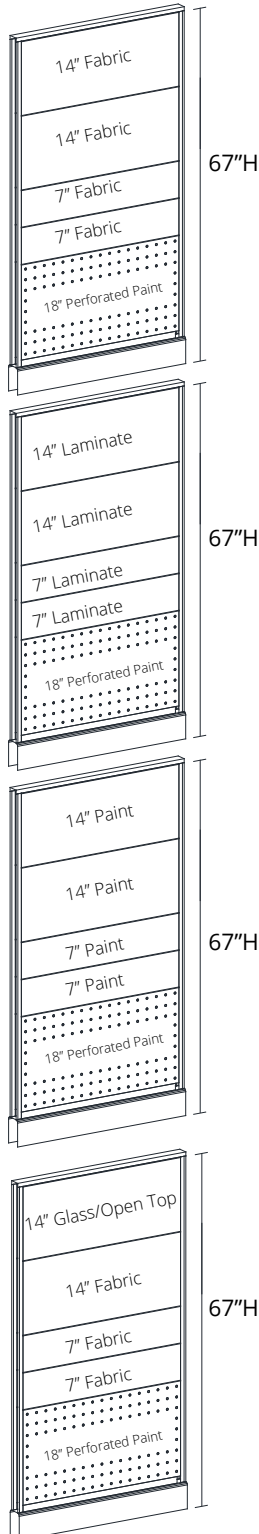
67"H 18771414 CONFIGURATION

DESCRIPTION

Our 67H non-powered tile frame w/ an 18771414 configuration holds an 18"H bottom tile followed by two 7" tiles and two 14" tiles. Tiles are specified on both sides of the tile frame.

Our OPS2 Tile System is fully compatible w/ our OPS2 Panel System and utilizes the same connectors. Non-powered tiles have Version 2 rails and aluminum top caps.

Tile frames come in standard heights of 39, 53 and 67. Total height includes a 5" base and 2" for the tile frame. Additional heights of 47, 85 and 103 can be achieved through tile stackers. Tiles are available in widths of 24, 30, 36, 42 and 48.



TILE SYSTEM LEGEND					
TS	Tile System	PP	Perforated Painted Tile	P	Painted Tile
P	Powered	F	Fabric Tile	G/OM	Glass/Open Middle Tile
		L	Laminate	G/OT	Glass/Open Top Tile

NOTE: When specifying glass tiles, it is recommended to use glass on the outside and an open frame on the inside.

	SKU	DESCRIPTION	LIST
OPTION ONE	TS672418771414.O1	Non-Powered Tile Frame 6724.18PP.7F.7F.14F.14F	\$1,819
	TS673018771414.O1	Non-Powered Tile Frame 6730.18PP.7F.7F.14F.14F	\$2,005
	TS673618771414.O1	Non-Powered Tile Frame 6736.18PP.7F.7F.14F.14F	\$2,399
	TS674218771414.O1	Non-Powered Tile Frame 6742.18PP.7F.7F.14F.14F	\$2,609
	TS674818771414.O1	Non-Powered Tile Frame 6748.18PP.7F.7F.14F.14F	\$2,809

	SKU	DESCRIPTION	LIST
OPTION TWO	TS672418771414.O2	Non-Powered Tile Frame 6724.18PP.7L.7L.14L.14L	\$1,819
	TS673018771414.O2	Non-Powered Tile Frame 6730.18PP.7L.7L.14L.14L	\$2,005
	TS673618771414.O2	Non-Powered Tile Frame 6736.18PP.7L.7L.14L.14L	\$2,399
	TS674218771414.O2	Non-Powered Tile Frame 6742.18PP.7L.7L.14L.14L	\$2,609
	TS674818771414.O2	Non-Powered Tile Frame 6748.18PP.7L.7L.14L.14L	\$2,809

	SKU	DESCRIPTION	LIST
OPTION THREE	TS672418771414.O3	Non-Powered Tile Frame 6724.18PP.7P.7P.14P.14P	\$1,819
	TS673018771414.O3	Non-Powered Tile Frame 6730.18PP.7P.7P.14P.14P	\$2,005
	TS673618771414.O3	Non-Powered Tile Frame 6736.18PP.7P.7P.14P.14P	\$2,399
	TS674218771414.O3	Non-Powered Tile Frame 6742.18PP.7P.7P.14P.14P	\$2,609
	TS674818771414.O3	Non-Powered Tile Frame 6748.18PP.7P.7P.14P.14P	\$2,809

	SKU	DESCRIPTION	LIST
OPTION FOUR	TS672418771414.O4	Non-Powered Tile Frame 6724.18PP.7F.7F.14F.14G/OT	\$1,819
	TS673018771414.O4	Non-Powered Tile Frame 6730.18PP.7F.7F.14F.14G/OT	\$2,005
	TS673618771414.O4	Non-Powered Tile Frame 6736.18PP.7F.7F.14F.14G/OT	\$2,399
	TS674218771414.O4	Non-Powered Tile Frame 6742.18PP.7F.7F.14F.14G/OT	\$2,609
	TS674818771414.O4	Non-Powered Tile Frame 6748.18PP.7F.7F.14F.14G/OT	\$2,809

TILE STACKERS

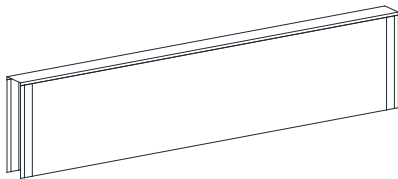
DESCRIPTION

Tile stackers can be added on to 39, 53 and 67H tile frames to achieve additional heights of 47, 85 and 103. Our standard connectors are utilized when applying tile stackers, totaling the height of the frame plus the stacker. Tile stacker connectors are only used when adding-on to existing tiles to achieve a new overall height.

Tile Stacker Width Options: 24, 30, 36, 42, 48
Tile Stacker Height Options: 8, 14, 18

8"H Tile Stackers:
Available in fabric, fabric tackable and painted finishes

14 and 18"H Tile Stackers:
Available in fabric, painted and glass finishes.
Glass is specified w/ a glass tile on the outside and an open frame on the inside.



TILE SYSTEM LEGEND

SPF	Stack Panel Frame	F	Fabric Stacker Tile	P	Painted Stacker
		G/OT			Glass/Open Top Tile Stacker

FABRIC TILE STACKER

8"H	SKU	DESCRIPTION	LIST
	SPF824.F	Stack Panel Frame- 8H x 24W Fabric Tile	\$339
	SPF830.F	Stack Panel Frame- 8H x 30W Fabric Tile	\$365
	SPF836.F	Stack Panel Frame- 8H x 36W Fabric Tile	\$449
	SPF842.F	Stack Panel Frame- 8H x 42W Fabric Tile	\$469
	SPF848.F	Stack Panel Frame- 8H x 48W Fabric Tile	\$505

PAINTED TILE STACKER

	SKU	DESCRIPTION	LIST
	SPF824.P	Stack Panel Frame- 8H x 24W Painted Tile	\$275
	SPF830.P	Stack Panel Frame- 8H x 30W Painted Tile	\$305
	SPF836.P	Stack Panel Frame- 8H x 36W Painted Tile	\$339
	SPF842.P	Stack Panel Frame- 8H x 42W Painted Tile	\$375
	SPF848.P	Stack Panel Frame- 8H x 48W Painted Tile	\$399

FABRIC

14"H	SKU	DESCRIPTION	LIST
	SPF1424.F	Stack Panel Frame- 14H x 24W Fabric Tile	\$449
	SPF1430.F	Stack Panel Frame- 14H x 30W Fabric Tile	\$479
	SPF1436.F	Stack Panel Frame- 14H x 36W Fabric Tile	\$619
	SPF1442.F	Stack Panel Frame- 14H x 42W Fabric Tile	\$675
	SPF1448.F	Stack Panel Frame- 14H x 48W Fabric Tile	\$715

PAINT

	SKU	DESCRIPTION	LIST
	SPF1424.P	Stack Panel Frame- 14H x 24W Painted Tile	\$349
	SPF1430.P	Stack Panel Frame- 14H x 30W Painted Tile	\$399
	SPF1436.P	Stack Panel Frame- 14H x 36W Painted Tile	\$449
	SPF1442.P	Stack Panel Frame- 14H x 42W Painted Tile	\$489
	SPF1448.P	Stack Panel Frame- 14H x 48W Painted Tile	\$555

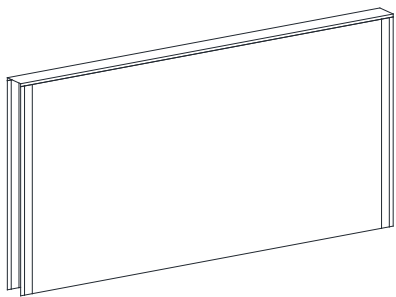
GLASS/OPEN TOP

	SKU	DESCRIPTION	LIST
	SPF1424.G/OT	Stack Panel Frame- 14H x 24W Glass/Open Top Tile	\$489
	SPF1430.G/OT	Stack Panel Frame- 14H x 30W Glass/Open Top Tile	\$545
	SPF1436.G/OT	Stack Panel Frame- 14H x 36W Glass/Open Top Tile	\$595
	SPF1442.G/OT	Stack Panel Frame- 14H x 42W Glass/Open Top Tile	\$645
	SPF1448.G/OT	Stack Panel Frame- 14H x 48W Glass/Open Top Tile	\$699

NOTE:

*When adding tile stackers on to existing product, new full height end caps will need to be ordered.

*Contact CSR for part verification when adding tile stackers in the field.



FABRIC

18"H	SKU	DESCRIPTION	LIST
	SPF1824.F	Stack Panel Frame- 18H x 24W Fabric Tile	\$595
	SPF1830.F	Stack Panel Frame- 18H x 30W Fabric Tile	\$655
	SPF1836.F	Stack Panel Frame- 18H x 36W Fabric Tile	\$875
	SPF1842.F	Stack Panel Frame- 18H x 42W Fabric Tile	\$915
	SPF1848.F	Stack Panel Frame- 18H x 48W Fabric Tile	\$989

PAINTED

	SKU	DESCRIPTION	LIST
	SPF1824.P	Stack Panel Frame- 18H x 24W Painted Tile	\$435
	SPF1830.P	Stack Panel Frame- 18H x 30W Painted Tile	\$479
	SPF1836.P	Stack Panel Frame- 18H x 36W Painted Tile	\$545
	SPF1842.P	Stack Panel Frame- 18H x 42W Painted Tile	\$595
	SPF1848.P	Stack Panel Frame- 18H x 48W Painted Tile	\$655

GLASS/OPEN TOP

	SKU	DESCRIPTION	LIST
	SPF1824.G/OT	Stack Panel Frame- 18H x 24W Glass/Open Top Tile	\$565
	SPF1830.G/OT	Stack Panel Frame- 18H x 30W Glass/Open Top Tile	\$619
	SPF1836.G/OT	Stack Panel Frame- 18H x 36W Glass/Open Top Tile	\$655
	SPF1842.G/OT	Stack Panel Frame- 18H x 42W Glass/Open Top Tile	\$705
	SPF1848.G/OT	Stack Panel Frame- 14H x 48W Glass/Open Top Tile	\$749



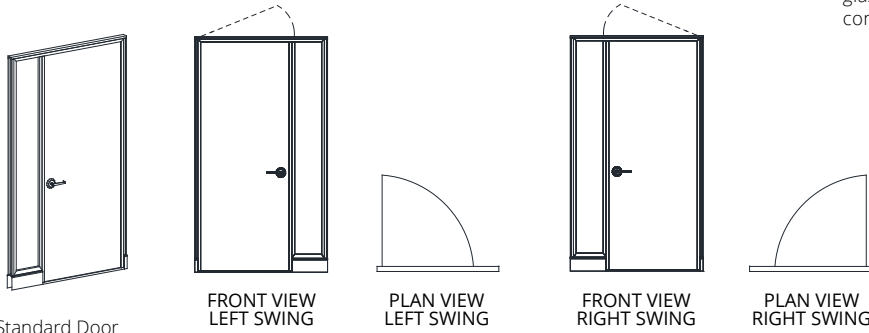
Glass Door Unit w/ Cutout and Side Light (Left Swing)

85H DOOR UNITS

DESCRIPTION
Available in left or right side swings and come with side light

85H	SKU	DESCRIPTION	LIST
	DOORPNL85L	Standard Door Unit w/ side light- 85H x 48W- Left Swing	\$4,169
	DOORPNL85R	Standard Door Unit w/ side light- 85H x 48W- Right Swing	\$4,169
	DOORPNL85R.G	Glass Door Unit w/cutout and side light- 85H x 48W Right Swing	\$4,589
	DOORPNL85L.G	Glass Door Unit w/cutout and side light- 85H x 48W Left Swing	\$4,589

NOTE: Add frosting bands to your door sidelights or glass panels. Frosting available for additional cost - contact CSR.



Standard Door

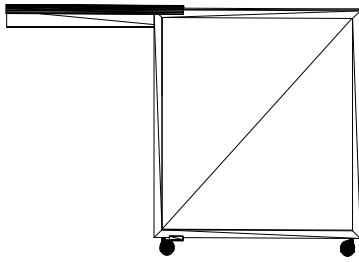
FRONT VIEW
LEFT SWING

PLAN VIEW
LEFT SWING

FRONT VIEW
RIGHT SWING

PLAN VIEW
RIGHT SWING

NOTE: The swing is determined by standing outside of the office.



53H Sliding Door Panel

SLIDING DOORS FOR 53H & 67H STATIONS

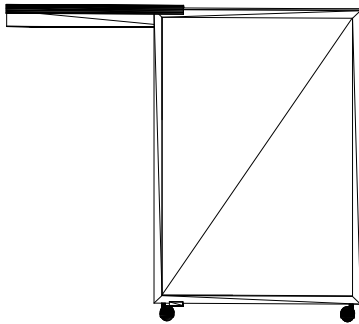
DESCRIPTION
Add additional privacy to 53H and 67H panel systems. Fits over 36W panels.

Frame available in BU, HF, LT, MS, MT and WF finishes.

Standard glass option is 5mm frosted tempered glass.

SKU	DESCRIPTION	LIST
SLIDING-DOOR53.XX	51H X 36W Opening - Overall 42"	\$2,585
SLIDING-DOOR67.XX	65H X 36W Opening - Overall 42"	\$3,035
TRB42	42" Optional Rail	\$169
TRB48	48" Optional Rail	\$179
TRB60	60" Optional Rail	\$235

NOTE: Sliding Doors will come standard to fit on a 36" W panel and cover a 36" W opening. Optional rails can be ordered to fit on a 42, 48 or 60" W panel.



67H Sliding Door Panel

SLIDING DOOR FOR 85H STATIONS

DESCRIPTION
Add a modern look to your 85H stations with the all-glass sliding door.

Frame available in brush metal finish.

Clear and frosted glass options available.

SKU	DESCRIPTION	LIST
SLIDING-DOOR85	85H Sliding Door w/ 36" metal frame, glass door and hardware	\$6,259
SLIDING-DOOR85.F	85H Sliding Door w/ 36" metal frame, frosted glass door and hardware	\$6,805

NOTE: Sliding Doors will come standard to fit on a 36W panel and cover a 36W opening. Product includes glass door, sliding rails, door pull, and open metal frame. Not compatible with Sixty-Five or OPS2 Tile Systems.

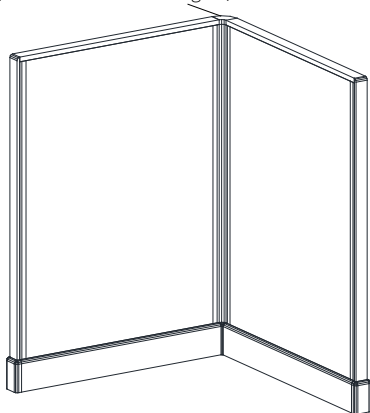


CONNECTORS W/ BASE

Most connectors add extra inches on to a panel run. This must be taken into consideration when space is limited or when opposite panels are to be of equal lengths.

CONNECTOR	DIMENSIONAL GAIN (PER CONNECTION OR FINISHED END)
2-Way 90 Connector	3.5"
3-Way 90 Connector	3.5"
4-Way 90 Connector	3.5"
Spacer	3.5"
Panel to Panel	None
Wall Start	13/16"
End Cap	.5"

2 WAY 90
(Adds 3.5" dimensional gain)

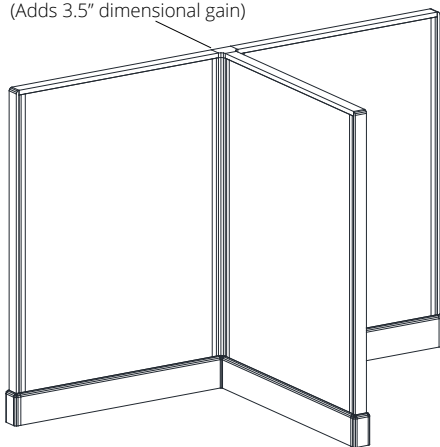


2 WAY 90 CONNECTOR DESCRIPTION

These connectors join two panels of equal or unequal heights at a 90 degree angle. If connecting panels of unequal heights, connector height should equal height of higher panel.

SKU	DESCRIPTION	LIST
2WY32A2	2 Way Connector w/ Base- 32H	\$185
2WY39A2	2 Way Connector w/ Base- 39H	\$189
2WY47A2	2 Way Connector w/ Base- 47H	\$215
2WY53A2	2 Way Connector w/ Base- 53H	\$215
2WY62A2	2 Way Connector w/ Base- 62H	\$245
2WY67A2	2 Way Connector w/ Base- 67H	\$245
2WY85A2	2 Way Connector w/ Base- 85H	\$275
2WY95A2	2 Way Connector w/ Base- 95H	\$305
2WY99A2	2 Way Connector w/ Base- 99H	\$305
2WY103A2	2 Way Connector w/ Base- 103H	\$305
2WY107A2	2 Way Connector w/ Base- 107H	\$305

3 WAY 90
(Adds 3.5" dimensional gain)

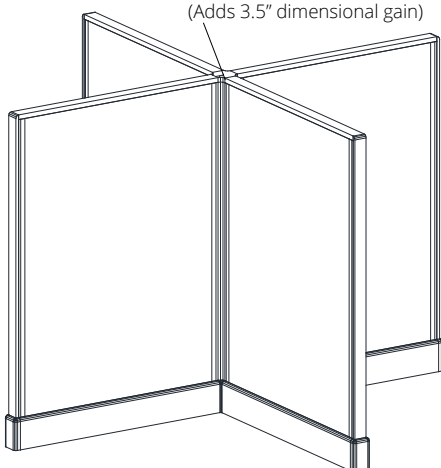


3 WAY 90 CONNECTOR DESCRIPTION

These connectors join three panels of equal or unequal heights at a 90 degree angle. If connecting panels of unequal heights, connector height should equal height of higher panel.

SKU	DESCRIPTION	LIST
3WY32A2	3 Way Connector w/ Base- 32H	\$325
3WY39A2	3 Way Connector w/ Base- 39H	\$339
3WY47A2	3 Way Connector w/ Base- 47H	\$349
3WY53A2	3 Way Connector w/ Base- 53H	\$375
3WY62A2	3 Way Connector w/ Base- 62H	\$399
3WY67A2	3 Way Connector w/ Base- 67H	\$419
3WY85A2	3 Way Connector w/ Base- 85H	\$469
3WY95A2	3 Way Connector w/ Base- 95H	\$555
3WY99A2	3 Way Connector w/ Base- 99H	\$555
3WY103A2	3 Way Connector w/ Base- 103H	\$555
3WY107A2	3 Way Connector w/ Base- 107H	\$555

4 WAY 90
(Adds 3.5" dimensional gain)



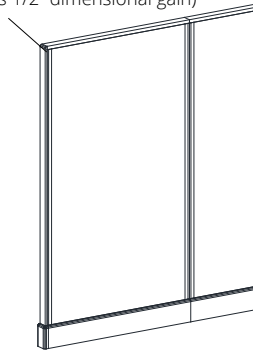
4 WAY CONNECTOR DESCRIPTION

These connectors join four panels of equal or unequal heights at a 90 degree angle. If connecting panels of unequal heights, connector height should equal height of higher panel.

SKU	DESCRIPTION	LIST
4WY32A2	4 Way Connector w/ Base- 32H	\$399
4WY39A2	4 Way Connector w/ Base- 39H	\$419
4WY47A2	4 Way Connector w/ Base- 47H	\$449
4WY53A2	4 Way Connector w/ Base- 53H	\$469
4WY62A2	4 Way Connector w/ Base- 62H	\$525
4WY67A2	4 Way Connector w/ Base- 67H	\$529
4WY85A2	4 Way Connector w/ Base- 85H	\$595
4WY95A2	4 Way Connector w/ Base- 95H	\$675
4WY99A2	4 Way Connector w/ Base- 99H	\$675
4WY103A2	4 Way Connector w/ Base- 103H	\$675
4WY107A2	4 Way Connector w/ Base- 107H	\$675

END CAP

END CAP
(Adds 1/2" dimensional gain)



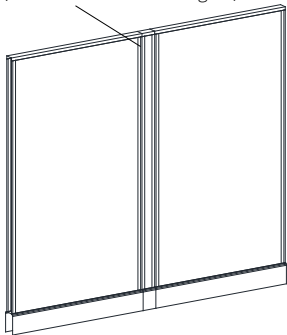
STRUCTURAL END CAPS W/ BASE

DESCRIPTION

These structural end caps finish the exposed end of a panel. The end cap height is the same as the exposed end panel height.

SKU	DESCRIPTION	LIST
EC32A2	End Cap w/ Base- 32H	\$87
EC39A2	End Cap w/ Base- 39H	\$93
EC47A2	End Cap w/ Base- 47H	\$97
EC53A2	End Cap w/ Base- 53H	\$97
EC62A2	End Cap w/ Base- 62H	\$105
EC67A2	End Cap w/ Base- 67H	\$105
EC85A2	End Cap w/ Base- 85H	\$109
EC95A2	End Cap w/ Base- 95H	\$185
EC99A2	End Cap w/ Base- 99H	\$185
EC103A2	End Cap w/ Base- 103H	\$185
EC107A2	End Cap w/ Base- 107H	\$185

SPACER
(Adds 3.5" dimensional gain)



SPACERS W/ BASE

DESCRIPTION

Spacers join two panels of equal or unequal heights in a straight line. They can compensate for dimensional gain in a panel run. If connecting panels of unequal heights, spacer height should equal height of higher panel.

SKU	DESCRIPTION	LIST
SPACE32A2	Spacer (180) w/ Base- 32H	\$235
SPACE39A2	Spacer (180) w/ Base- 39H	\$245
SPACE47A2	Spacer (180) w/ Base- 47H	\$245
SPACE53A2	Spacer (180) w/ Base- 53H	\$265
SPACE62A2	Spacer (180) w/ Base- 62H	\$295
SPACE67A2	Spacer (180) w/ Base- 67H	\$295
SPACE85A2	Spacer (180) w/ Base- 85H	\$325
SPACE95A2	Spacer (180) w/ Base- 95H	\$365
SPACE99A2	Spacer (180) w/ Base- 99H	\$365
SPACE103A2	Spacer (180) w/ Base- 103H	\$365
SPACE107A2	Spacer (180) w/ Base- 107H	\$365

CEILING CHANNEL

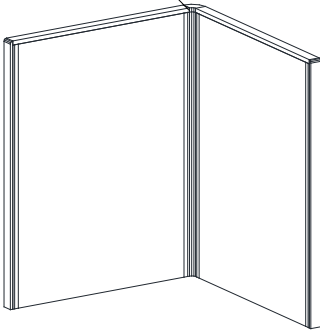
DESCRIPTION

Ceiling Channel Trim adds the finishing touch to floor-to-ceiling modular wall systems.

SKU	DESCRIPTION	LIST
CT.CEILING CHANNEL	Ceiling Channel 6' Section, Includes Trim & Hanger	\$325
CT.2WAY	Ceiling Channel 2 Way Trim Cover	\$21
CT.3WAY	Ceiling Channel 3 Way Trim Cover	\$21
CT.4WAY	Ceiling Channel 4 Way Trim Cover	\$21
CT.ENDCAP	Ceiling Channel End Cap Trim	\$21
CT.CHANNEL CLIP	Ceiling Channel Clip- 4 Required per 6'	\$7

**CONNECTORS-
NO BASE**

2 WAY 90
(Adds 3.5" dimensional gain)

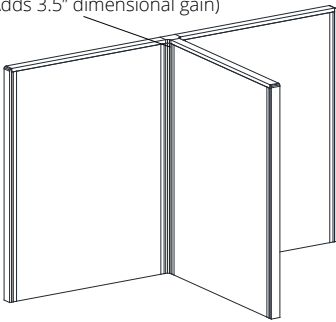


**2 WAY 90 CONNECTOR
DESCRIPTION**

These connectors join two panels of equal or unequal heights at a 90 degree angle. If connecting panels of unequal heights, connector height should equal height of higher panel.

SKU	DESCRIPTION	LIST
2WY27A1	2 Way Connector- No Base- 27H	\$185
2WY34A1	2 Way Connector- No Base- 34H	\$189
2WY42A1	2 Way Connector- No Base- 42H	\$215
2WY48A1	2 Way Connector- No Base- 48H	\$215
2WY57A1	2 Way Connector- No Base- 57H	\$245
2WY62A1	2 Way Connector- No Base- 62H	\$245
2WY80A1	2 Way Connector- No Base- 80H	\$275

3 WAY 90
(Adds 3.5" dimensional gain)

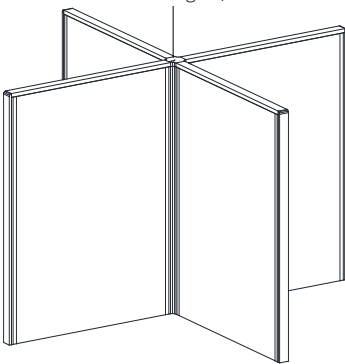


**3 WAY 90 CONNECTOR
DESCRIPTION**

These connectors join three panels of equal or unequal heights at a 90 degree angle. If connecting panels of unequal heights, connector height should equal height of higher panel.

SKU	DESCRIPTION	LIST
3WY27A1	3 Way Connector- No Base- 27H	\$325
3WY34A1	3 Way Connector- No Base- 34H	\$339
3WY42A1	3 Way Connector- No Base- 42H	\$349
3WY48A1	3 Way Connector- No Base- 48H	\$375
3WY57A1	3 Way Connector- No Base- 57H	\$399
3WY62A1	3 Way Connector- No Base- 62H	\$419
3WY80A1	3 Way Connector- No Base- 80H	\$469

4 WAY 90
(Adds 3.5" dimensional gain)

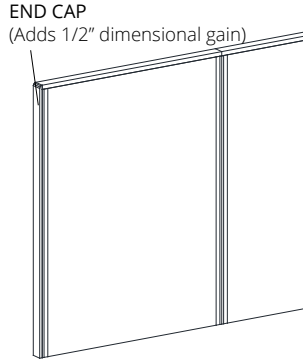


**4 WAY
DESCRIPTION**

These connectors join four panels of equal or unequal heights at a 90 degree angle. If connecting panels of unequal heights, connector height should equal height of higher panel.

SKU	DESCRIPTION	LIST
4WY27A1	4 Way Connector- No Base- 27H	\$399
4WY34A1	4 Way Connector- No Base- 34H	\$419
4WY42A1	4 Way Connector- No Base- 42H	\$449
4WY48A1	4 Way Connector- No Base- 48H	\$469
4WY57A1	4 Way Connector- No Base- 57H	\$525
4WY62A1	4 Way Connector- No Base- 62H	\$529
4WY80A1	4 Way Connector- No Base- 80H	\$595

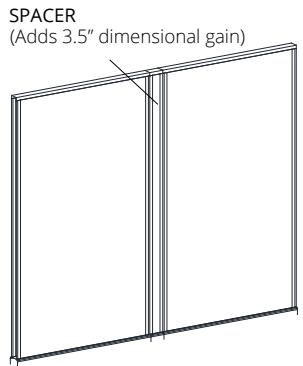
**CONNECTORS-
NO BASE**



**STRUCTURAL END CAPS
NO BASE**

DESCRIPTION
These structural end caps finish the exposed end of a panel w/out base. The end cap height is the same as the exposed end panel height.

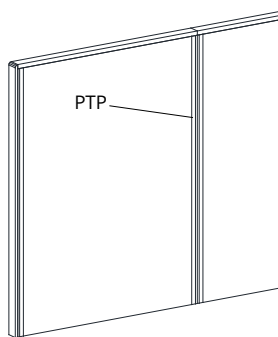
SKU	DESCRIPTION	LIST
EC27A1	End Cap- No Base- 27H	\$87
EC34A1	End Cap- No Base- 34H	\$93
EC42A1	End Cap- No Base- 42H	\$97
EC48A1	End Cap- No Base- 48H	\$97
EC57A1	End Cap- No Base- 57H	\$105
EC62A1	End Cap- No Base- 62H	\$105
EC80A1	End Cap- No Base- 80H	\$109



SPACERS- NO BASE

DESCRIPTION
Spacers join two panels w/out base of equal or unequal heights in a straight line. They can compensate for dimensional gain in a panel run. If connecting panels of unequal heights, spacer height should equal height of higher panel.

SKU	DESCRIPTION	LIST
SPACE27A1	Spacer (180) No Base- 27H	\$235
SPACE34A1	Spacer (180) No Base- 34H	\$245
SPACE42A1	Spacer (180) No Base- 42H	\$245
SPACE48A1	Spacer (180) No Base- 48H	\$265
SPACE57A1	Spacer (180) No Base- 57H	\$295
SPACE62A1	Spacer (180) No Base- 62H	\$295
SPACE80A1	Spacer (180) No Base- 80H	\$325

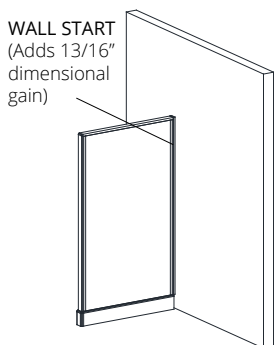


PANEL TO PANEL-PTP (DRAW ROD)
DESCRIPTION

This draw rod connects AO1 or AO2 panels of equal or unequal heights in a straight line. Unequal heights in a straight line also require a Change of Height connector. (COH)

NOTE: PTP connectors are used for a straight panel to panel connection. When unequal height panels are next to each other, use the lower height draw rod and COH for proper connection.

SKU	DESCRIPTION	LIST
PTP27	Panel to Panel Connector- 27H	\$38
PTP34	Panel to Panel Connector- 34H	\$38
PTP42	Panel to Panel Connector- 42H	\$38
PTP48	Panel to Panel Connector- 48H	\$42
PTP57	Panel to Panel Connector- 57H	\$42
PTP62	Panel to Panel Connector- 62H	\$42
PTP80	Panel to Panel Connector- 80H	\$42
PTP90	Panel to Panel Connector- 90H	\$71
PTP94	Panel to Panel Connector- 94H	\$71
PTP98	Panel to Panel Connector- 98H	\$71
PTP102	Panel to Panel Connector- 102H	\$71

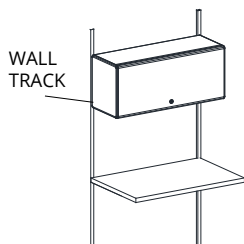


WALL START (Adds 13/16" dimensional gain)

WALL START (TC)
DESCRIPTION

Wall starts are used to connect a panel to an architectural wall or column. They do not include the 5" base height.

SKU	DESCRIPTION	LIST
TC27	Wall Starter for 27H (AO1) or 32H (AO2) Panels- w/ PTP27	\$93
TC34	Wall Starter for 34H (AO1) or 39H (AO2) Panels- w/ PTP34	\$97
TC42	Wall Starter for 42H (AO1) or 47H (AO2) Panels- w/ PTP42	\$97
TC48	Wall Starter for 48H (AO1) or 53H (AO2) Panels- w/ PTP48	\$97
TC57	Wall Starter- for 57H (AO1) or 62H (AO2) Panels- w/ PTP57	\$105
TC62	Wall Starter for 62H (AO1) or 67H (AO2) Panels w/ PTP62	\$105
TC80	Wall Starter for 80H (AO1) or 85H (AO2) Panels w/ PTP80	\$115
TC90	Wall Starter for 90H (AO1) or 95H (AO2) Panels w/ PTP90	\$129
TC94	Wall Starter for 94H (AO1) or 99H (AO2) Panels w/ PTP94	\$129
TC98	Wall Starter for 98H (AO1) or 103H (AO2) Panels w/ PTP98	\$129
TC102	Wall Starter for 102H (AO1) or 107H (AO2) Panels w/PTP102	\$129

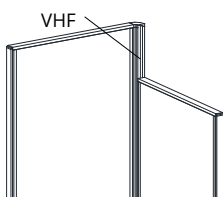


WALL TRACK

WALL TRACK
DESCRIPTION

These wall strips attach to a structural wall for the purpose of hanging components.

SKU	DESCRIPTION	LIST
WALLTRACK72	Wall Track (No Hardware Included)- 72H	\$105
WALLTRACK84	Wall Track (No Hardware Included)- 84H	\$109

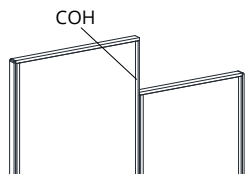


VHF

VARIABLE HEIGHT FILLER (VHF)
DESCRIPTION

When two panels of unequal heights are joining at a connector, a VHF is used to cover the exposed end of the panel.

SKU	DESCRIPTION	LIST
VHF	Variable Height Viller- Panel to Connector	\$42



COH

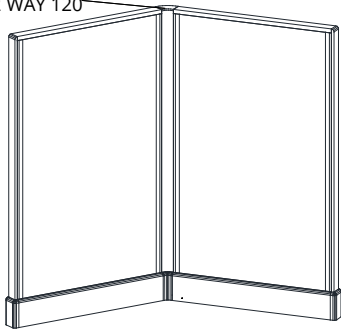
CHANGE OF HEIGHT (COH)
DESCRIPTION

When two panels of unequal heights are joining in a straight line, a COH is used to cover the exposed end of the panel.

SKU	DESCRIPTION	LIST
COH34V1	Change of Height Filler up to 30" V1	\$49
COH48V1	Change of Height Filler up to 32"-42" V1	\$49
COH34V2	Change of Height Filler up to 30" V2	\$49
COH48V2	Change of Height Filler up to 32"-42" V2	\$49

CONNECTORS- 120°

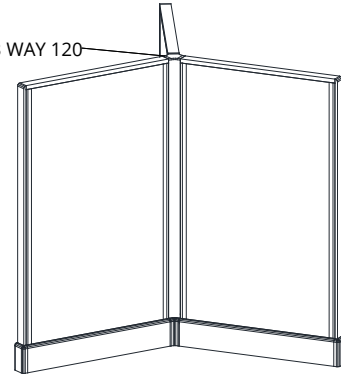
2 WAY 120

**2 WAY 120
CONNECTOR W/
BASE****DESCRIPTION**

These connectors join two panels w/ base of equal or unequal heights at a 120 degree angle. If connecting panels of unequal heights, connector height should equal height of higher panel.

SKU	DESCRIPTION	LIST
2WY32A2120	2 Way 120 Connector w/ Base- 32H	\$325
2WY39A2120	2 Way 120 Connector w/ Base- 39H	\$339
2WY47A2120	2 Way 120 Connector w/ Base- 47H	\$349
2WY53A2120	2 Way 120 Connector w/ Base- 53H	\$375
2WY62A2120	2 Way 120 Connector w/ Base- 62H	\$385
2WY67A2120	2 Way 120 Connector w/ Base- 67H	\$399
2WY85A2120	2 Way 120 Connector w/ Base- 85H	\$459

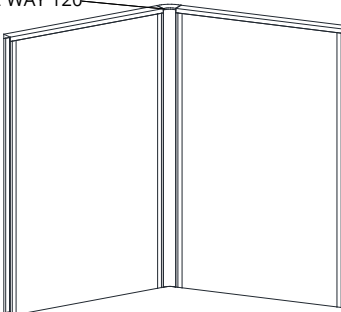
3 WAY 120

**3 WAY 120
CONNECTOR W/
BASE****DESCRIPTION**

These connectors join three panels w/ base of equal or unequal heights at a 120 degree angle. If connecting panels of unequal heights, connector height should equal height of higher panel.

SKU	DESCRIPTION	LIST
3WY32A2120	3 Way 120 Connector w/ Base- 32H	\$459
3WY39A2120	3 Way 120 Connector w/ Base- 39H	\$479
3WY47A2120	3 Way 120 Connector w/ Base- 47H	\$525
3WY53A2120	3 Way 120 Connector w/ Base- 53H	\$555
3WY62A2120	3 Way 120 Connector w/ Base- 62H	\$595
3WY67A2120	3 Way 120 Connector w/ Base- 67H	\$619
3WY85A2120	3 Way 120 Connector w/ Base- 85H	\$699

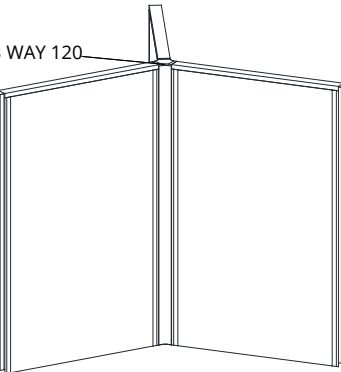
2 WAY 120

**2 WAY 120
CONNECTOR-
NO BASE****DESCRIPTION**

These connectors join two panels w/ base of equal or unequal heights at a 120 degree angle. If connecting panels of unequal heights, connector height should equal height of higher panel.

SKU	DESCRIPTION	LIST
2WY34A1120	2 Way 120 Connector w/ Base- 34H	\$339
2WY42A1120	2 Way 120 Connector w/ Base- 42H	\$349
2WY48A1120	2 Way 120 Connector w/ Base- 48H	\$375
2WY57A1120	2 Way 120 Connector w/ Base- 57H	\$385
2WY62A1120	2 Way 120 Connector w/ Base- 62H	\$399
2WY80A1120	2 Way 120 Connector w/ Base- 80H	\$459

3 WAY 120

**3 WAY 120
CONNECTOR-
NO BASE****DESCRIPTION**

These connectors join three panels w/ base of equal or unequal heights at a 120 degree angle. If connecting panels of unequal heights, connector height should equal height of higher panel.

SKU	DESCRIPTION	LIST
3WY34A1120	3 Way 120 Connector w/ Base- 34H	\$479
3WY42A1120	3 Way 120 Connector w/ Base- 42H	\$525
3WY48A1120	3 Way 120 Connector w/ Base- 48H	\$555
3WY57A1120	3 Way 120 Connector w/ Base- 57H	\$595
3WY62A1120	3 Way 120 Connector w/ Base- 62H	\$619
3WY80A1120	3 Way 120 Connector w/ Base- 80H	\$699

NOTE: Please refer to our Installation Manual for Electrical details.



CF24WY shown in above picture.

CEILING POWER DESCRIPTION

Ceiling power entry connects a ceiling's electrical supply to the end of a frame run. It distributes up to 4 20-amp circuits. The power entry has a 12'-high pole that can be field cut to the appropriate length, ceiling trim, connecting hardware, conduit, and a factory-installed electrical harness. The V2 power entry plugs into the end of the harness; V1 plugs into a receptacle location. The power entry is UL listed.



BASE POWER DESCRIPTION

Base power entry connects a building's electrical supply from a wall, floor, or column to the base of a powered frame/panel. It plugs directly into a receptacle location on the frame's base to distribute up to 4 20-amp circuits. The power entry is manufactured in a right or left hand. It is UL listed.

NOTE: Licensed electrician must wire power entry.

NOTE: Festoons are only specified or needed w/ V1 power. Festoons are included when ordering powered panels.

CEILING POWER / POWER POLE

SKU	DESCRIPTION	LIST
CF23WY	4 Circuit Ceiling Power 2" x 2" Pole, 3WY	\$1,015
CF24WY	4 Circuit Ceiling Power 2" x 2" Pole, 4WY	\$1,015
CF4	4 Circuit Ceiling Power 3" x 4" Pole	\$1,015
PEK414V1	4 Circuit Ceiling Power Infeed 12' Long V1	\$709
PEK414V2	4 Circuit Ceiling Power Infeed 12' Long V2	\$709
PEK414V1-16	4 Circuit Ceiling Power Infeed 16' Long V1	\$829
PEK414V2-16	4 Circuit Ceiling Power Infeed 16' Long V2	\$875

NOTE: PEK414V2-16 is not universal and is compatible with V2 power only.

BASE POWER

SKU	DESCRIPTION	LIST
PEK4V2	4 Circuit Base Power Entry Kit V2	\$709
PEK4V2-12	4 Circuit Base Power Entry Kit - Universal Version 2 - 12'	\$975
PEK4L.NY	4 Circuit Base Power Entry Kit (Left)- NY Code	\$785
PEK4R.NY	4 Circuit Base Power Entry Kit (Right)- NY Code	\$785

FESTOONS

SKU	DESCRIPTION	LIST
FESTOON19	19" Power Festoon for Panel to Panel Connection	\$105
FESTOON22	22" Power Festoon for Panel through Connector	\$109
FESTOON23	23" Power Festoon for Panel through Connector	\$119

RECEPTACLES

SKU	DESCRIPTION	LIST
REC/A	A Circuit Duplex Receptacle	\$60
REC/B	B Circuit Duplex Receptacle	\$60
REC/C	C Circuit Duplex Receptacle	\$60
REC/D	D Circuit Duplex Receptacle	\$60

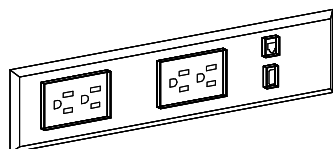
MID POWER FOR TILE PANELS DESCRIPTION

Mid power option available for 7" tiles in 24", 36" and 48" width options. Access to power comes standard on both sides of panel. A single side can be covered upon request.

Available in BU finish.

NOTE:

- Available w/ metal or fabric covered metal tiles only
- V1 Power only
- Thin Base Outlets A & C are included (Uses thin base receptacles only)



MID POWER FOR OPS2 TILE SYSTEM

SKU	DESCRIPTION	LIST
TFP-MPOWER-24.BU	Mid Power for 24" width tile panels	\$949
TFP-MPOWER-36.BU	Mid Power for 36" width tile panels	\$949
TFP-MPOWER-48.BU	Mid Power for 48" width tile panels	\$949

NOTE: Please refer to our Installation Manual for Electrical details.

NOTE: When specifying Receptacle Data Covers, please specify if you need the panels punched or if we are not punching any panels and you need filler plates only. If you need panels punched, please specify the quantity/panel size and if they are to be punched on one or both sides.

RECEPTACLE DATA COVER

SKU	DESCRIPTION	LIST
RECOPCOVDATA	Receptacle Data Cover	\$12

POLE ONLY (EMPTY)

SKU	DESCRIPTION	LIST
CF2N3WY	2" x 2" Empty Data Pole, 3WY	\$325
CF2N4WY	2" x 2" Empty Data Pole, 4WY	\$325
CF4N	4" x 4" Empty Data Pole	\$325

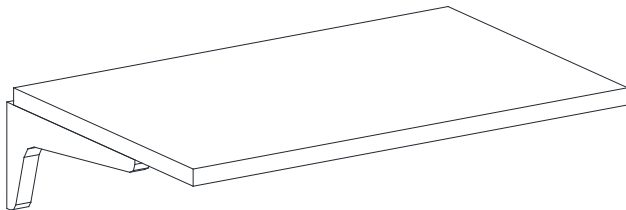
SKU	DESCRIPTION	LIST
XP-C-PE-POLE-KIT	Empty Data Pole	\$245

WORK SURFACES

RECTANGULAR

DESCRIPTION

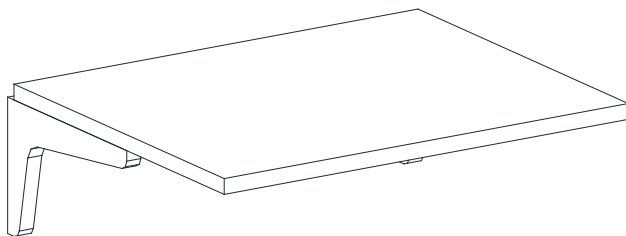
Our rectangular laminate Work Surfaces are available in 24, 30 and 36" depths. They come standard w/ cantilevers and one flat bracket for panel hung applications. They can also be supported w/ wall tracks if panels are not utilized. For free-standing applications, support legs can be used in place of cantilevers. 24" Depth:



NOTE:

Rectangular Work Surfaces less than 60"W come w/ two cantilevers and one flat bracket. Work Surfaces 60"W or greater come w/ three cantilevers, one flat bracket and one Work Surface support channel. Cantilevers for 24"D Work Surfaces are 16."

30" Depth:

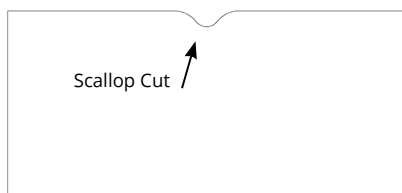


NOTE:

Rectangular Work Surfaces less than 60"W come w/ two cantilevers and one flat bracket. Work Surfaces 60"W or greater come w/ three cantilevers, one flat bracket and one Work Surface support channel. Cantilevers for 30"D Work Surfaces are 24."

SCALLOP CUT FOR WORK SURFACES

SKU	DESCRIPTION	LIST
SRCUT	Scallop Cut in Surface	\$65
GRCUT	Grommet Cut in Surface	\$65

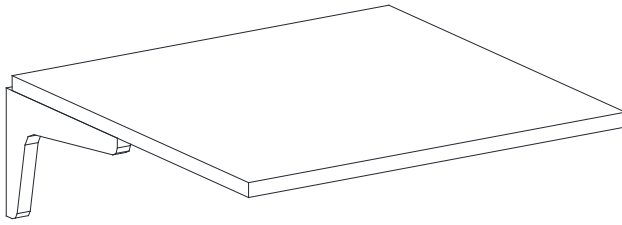


SKU	DESCRIPTION	LIST
WS2418	Rectangular Work Surface- 24D x 18W	\$365
WS2424	Rectangular Work Surface- 24D x 24W	\$385
WS2428	Rectangular Work Surface- 24D x 28W	\$399
WS2430	Rectangular Work Surface- 24D x 30W	\$419
WS2434	Rectangular Work Surface- 24D x 34W	\$459
WS2436	Rectangular Work Surface- 24D x 36W	\$489
WS2440	Rectangular Work Surface- 24D x 40W	\$505
WS2442	Rectangular Work Surface- 24D x 42W	\$525
WS2446	Rectangular Work Surface- 24D x 46W	\$545
WS2448	Rectangular Work Surface- 24D x 48W	\$555
WS2452	Rectangular Work Surface- 24D x 52W	\$619
WS2454	Rectangular Work Surface- 24D x 54W	\$645
WS2458	Rectangular Work Surface- 24D x 58W	\$675
WS2460	Rectangular Work Surface- 24D x 60W	\$705
WS2464	Rectangular Work Surface- 24D x 64W	\$729
WS2466	Rectangular Work Surface- 24D x 66W	\$739
WS2470	Rectangular Work Surface- 24D x 70W	\$785
WS2472	Rectangular Work Surface- 24D x 72W	\$819
WS2476	Rectangular Work Surface- 24D x 76W	\$849
WS2478	Rectangular Work Surface- 24D x 78W	\$885
WS2484	Rectangular Work Surface- 24D x 84W	\$915
WS2490	Rectangular Work Surface- 24D x 90W	\$1,015
WS2496	Rectangular Work Surface- 24D x 96W	\$1,099

SKU	DESCRIPTION	LIST
WS3018	Rectangular Work Surface- 30D x 18W	\$399
WS3024	Rectangular Work Surface- 30D x 24W	\$419
WS3028	Rectangular Work Surface- 30D x 28W	\$469
WS3030	Rectangular Work Surface- 30D x 30W	\$505
WS3034	Rectangular Work Surface- 30D x 34W	\$555
WS3036	Rectangular Work Surface- 30D x 36W	\$609
WS3040	Rectangular Work Surface- 30D x 40W	\$629
WS3042	Rectangular Work Surface- 30D x 42W	\$655
WS3046	Rectangular Work Surface- 30D x 46W	\$675
WS3048	Rectangular Work Surface- 30D x 48W	\$689
WS3052	Rectangular Work Surface- 30D x 52W	\$749
WS3054	Rectangular Work Surface- 30D x 54W	\$799
WS3058	Rectangular Work Surface- 30D x 58W	\$825
WS3060	Rectangular Work Surface- 30D x 60W	\$875
WS3064	Rectangular Work Surface- 30D x 64W	\$905
WS3066	Rectangular Work Surface- 30D x 66W	\$915
WS3070	Rectangular Work Surface- 30D x 70W	\$975
WS3072	Rectangular Work Surface- 30D x 72W	\$1,015
WS3076	Rectangular Work Surface- 30D x 76W	\$1,065
WS3078	Rectangular Work Surface- 30D x 78W	\$1,099
WS3084	Rectangular Work Surface- 30D x 84W	\$1,145
WS3090	Rectangular Work Surface- 30D x 90W	\$1,209
WS3096	Rectangular Work Surface- 30D x 96W	\$1,309

RECTANGULAR WORK SURFACES

36" Depth:



NOTE:

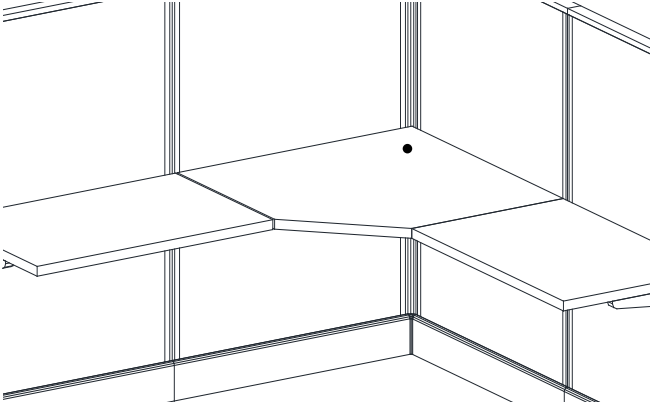
Rectangular Work Surfaces less than 60"W come w/ two cantilevers and one flat bracket. Work Surfaces 60"W or greater come w/ three cantilevers, one flat bracket and one Work Surface support channel. Cantilevers for 36"D Work Surfaces are 24."

SKU	DESCRIPTION	LIST
WS3636	Rectangular Work Surface- 36D x 36W	\$739
WS3640	Rectangular Work Surface- 36D x 40W	\$785
WS3642	Rectangular Work Surface- 36D x 42W	\$809
WS3646	Rectangular Work Surface- 36D x 46W	\$835
WS3648	Rectangular Work Surface- 36D x 48W	\$849
WS3652	Rectangular Work Surface- 36D x 52W	\$935
WS3654	Rectangular Work Surface- 36D x 54W	\$989
WS3658	Rectangular Work Surface- 36D x 58W	\$1,025
WS3660	Rectangular Work Surface- 36D x 60W	\$1,089
WS3664	Rectangular Work Surface- 36D x 64W	\$1,135
WS3666	Rectangular Work Surface- 36D x 66W	\$1,155
WS3670	Rectangular Work Surface- 36D x 70W	\$1,209
WS3672	Rectangular Work Surface- 36D x 72W	\$1,285
WS3676	Rectangular Work Surface- 36D x 76W	\$1,339
WS3678	Rectangular Work Surface- 36D x 78W	\$1,375
WS3684	Rectangular Work Surface- 36D x 84W	\$1,429
WS3690	Rectangular Work Surface- 36D x 90W	\$1,495
WS3696	Rectangular Work Surface- 36D x 96W	\$1,579

CORNER AND CURVILINEAR CORNER WORK SURFACES

CORNER WORK SURFACES DESCRIPTION

These 90 degree corner laminate Work Surfaces join two perpendicular Work Surfaces. They come standard w/ cantilevers, one corner bracket, and one grommet for panel hung applications.

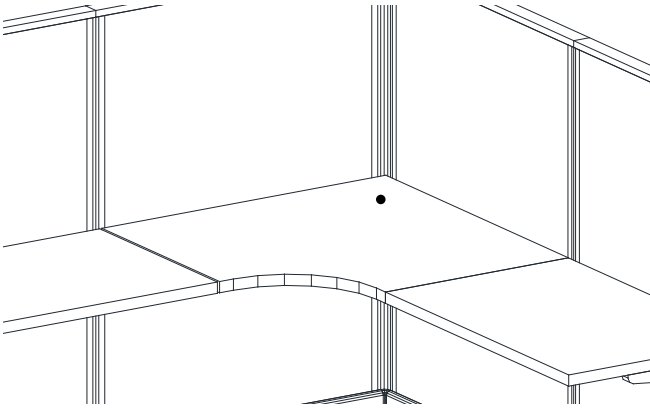


SKU	DESCRIPTION	LIST
CWS363624	Corner Work Surface- 36 x 36 x 24	\$749
CWS363630	Corner Work Surface- 36 x 36 x 30	\$905
CWS424224	Corner Work Surface- 42 x 42 x 24	\$825
CWS424230	Corner Work Surface- 42 x 42 x 30	\$895
CWS484824	Corner Work Surface- 48 x 48 x 24	\$895
CWS484830	Corner Work Surface- 48 x 48 x 30	\$1,035

NOTE: Corner Work Surfaces come w/ two cantilevers, one grommet and one corner bracket.

CURVILINEAR CORNER WORK SURFACES DESCRIPTION

These 90 degree curvilinear corner laminate Work Surfaces join two perpendicular Work Surfaces. They come standard w/ cantilevers, one corner bracket, and one grommet for panel hung applications.

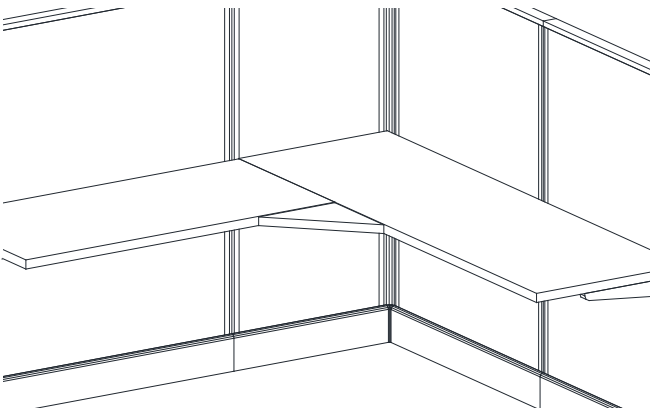


SKU	DESCRIPTION	LIST
CCWS363624	Curvilinear Corner Work Surface- 36 x 36 x 24	\$749
CCWS363630	Curvilinear Corner Work Surface- 36 x 36 x 30	\$905
CCWS424224	Curvilinear Corner Work Surface- 42 x 42 x 24	\$825
CCWS424230	Curvilinear Corner Work Surface- 42 x 42 x 30	\$895
CCWS484824	Curvilinear Corner Work Surface- 48 x 48 x 24	\$905
CCWS484830	Curvilinear Corner Work Surface- 48 x 48 x 30	\$1,035

NOTE: Curvilinear Corner Work Surfaces come w/ two cantilevers, one grommet and one corner bracket.

CORNER WEDGE DESCRIPTION

This wedge attaches to two perpendicular Work Surfaces to create a corner Work Surface shape.



CORNER WEDGE

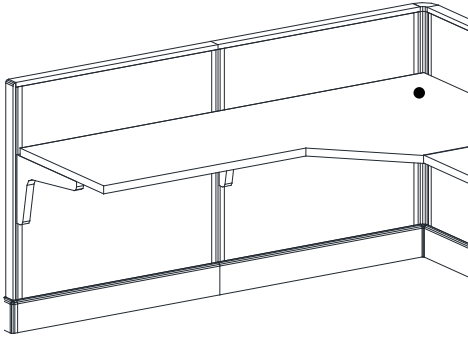
SKU	DESCRIPTION	LIST
CW111611	Corner Wedge- 11 x 16 x 11	\$169

NOTE: Two Flat Brackets included.

EXTENDED CORNER WORK SURFACES- LEFT EXTENSION

DESCRIPTION

These extended corner Work Surfaces combine a corner surface and rectangular return into one surface. They are handed (L or R) and extend from 42 to 72".



42"W	SKU	DESCRIPTION	LIST
	ECWS362442L	Left Extended Corner Work Surface- 36 x 24 x 42	\$809

48"W	SKU	DESCRIPTION	LIST
	ECWS362448L	Left Extended Corner Work Surface- 36 x 24 x 48	\$905
	ECWS422448L	Left Extended Corner Work Surface- 42 x 24 x 48	\$975

54"W	SKU	DESCRIPTION	LIST
	ECWS362454L	Left Extended Corner Work Surface- 36 x 24 x 54	\$1,135
	ECWS363054L	Left Extended Corner Work Surface- 36 x 30 x 54	\$1,295
	ECWS422454L	Left Extended Corner Work Surface- 42 x 24 x 54	\$1,189
	ECWS423054L	Left Extended Corner Work Surface- 42 x 30 x 54	\$1,309
	ECWS482454L	Left Extended Corner Work Surface- 48 x 24 x 54	\$1,219
	ECWS483054L	Left Extended Corner Work Surface- 48 x 30 x 54	\$1,419

NOTE:

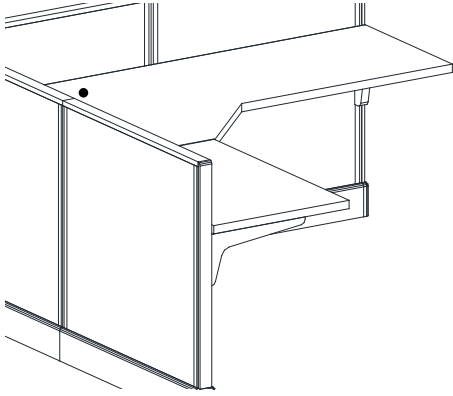
Extended Corner Work Surfaces less than 60"W come w/ two cantilevers, one corner bracket, one grommet and one flat bracket. Extended Corner Work Surfaces 60"W or greater come w/ three cantilevers, one corner bracket, one grommet and one Work Surface support channel. Cantilevers for 24"D Work Surfaces are 16." Cantilevers for 30"D Work Surfaces are 24".

60"W	SKU	DESCRIPTION	LIST
	ECWS362460L	Left Extended Corner Work Surface- 36 x 24 x 60	\$1,189
	ECWS363060L	Left Extended Corner Work Surface- 36 x 30 x 60	\$1,359
	ECWS422460L	Left Extended Corner Work Surface- 42 x 24 x 60	\$1,275
	ECWS423060L	Left Extended Corner Work Surface- 42 x 30 x 60	\$1,375
	ECWS482460L	Left Extended Corner Work Surface- 48 x 24 x 60	\$1,309
	ECWS483060L	Left Extended Corner Work Surface- 48 x 30 x 60	\$1,495

66"W	SKU	DESCRIPTION	LIST
	ECWS362466L	Left Extended Corner Work Surface- 36 x 24 x 66	\$1,219
	ECWS363066L	Left Extended Corner Work Surface- 36 x 30 x 66	\$1,449
	ECWS422466L	Left Extended Corner Work Surface- 42 x 24 x 66	\$1,309
	ECWS423066L	Left Extended Corner Work Surface- 42 x 30 x 66	\$1,459
	ECWS482466L	Left Extended Corner Work Surface- 48 x 24 x 66	\$1,319
	ECWS483066L	Left Extended Corner Work Surface- 48 x 30 x 66	\$1,505

72"W	SKU	DESCRIPTION	LIST
	ECWS362472L	Left Extended Corner Work Surface- 36 x 24 x 72	\$1,309
	ECWS363072L	Left Extended Corner Work Surface- 36 x 30 x 72	\$1,555
	ECWS422472L	Left Extended Corner Work Surface- 42 x 24 x 72	\$1,375
	ECWS423072L	Left Extended Corner Work Surface- 42 x 30 x 72	\$1,555
	ECWS482472L	Left Extended Corner Work Surface- 48 x 24 x 72	\$1,479
	ECWS483072L	Left Extended Corner Work Surface- 48 x 30 x 72	\$1,535

EXTENDED CORNER WORK SURFACES- RIGHT EXTENSION



42"W	SKU	DESCRIPTION	LIST
	ECWS362442R	Right Extended Corner Work Surface- 36 x 24 x 42	\$809

48"W	SKU	DESCRIPTION	LIST
	ECWS362448R	Right Extended Corner Work Surface- 36 x 24 x 48	\$905
	ECWS422448R	Right Extended Corner Work Surface- 42 x 24 x 48	\$975

54"W	SKU	DESCRIPTION	LIST
	ECWS362454R	Right Extended Corner Work Surface- 36 x 24 x 54	\$1,135
	ECWS363054R	Right Extended Corner Work Surface- 36 x 30 x 54	\$1,295
	ECWS422454R	Right Extended Corner Work Surface- 42 x 24 x 54	\$1,189
	ECWS423054R	Right Extended Corner Work Surface- 42 x 30 x 54	\$1,309
	ECWS482454R	Right Extended Corner Work Surface- 48 x 24 x 54	\$1,219
	ECWS483054R	Right Extended Corner Work Surface- 48 x 30 x 54	\$1,419

60"W	SKU	DESCRIPTION	LIST
	ECWS362460R	Right Extended Corner Work Surface- 36 x 24 x 60	\$1,189
	ECWS363060R	Right Extended Corner Work Surface- 36 x 30 x 60	\$1,359
	ECWS422460R	Right Extended Corner Work Surface- 42 x 24 x 60	\$1,275
	ECWS423060R	Right Extended Corner Work Surface- 42 x 30 x 60	\$1,375
	ECWS482460R	Right Extended Corner Work Surface- 48 x 24 x 60	\$1,309
	ECWS483060R	Right Extended Corner Work Surface- 48 x 30 x 60	\$1,495

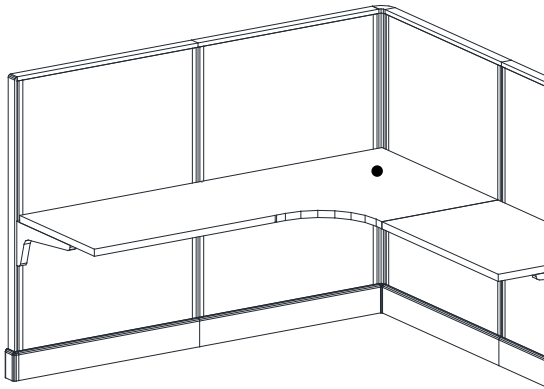
66"W	SKU	DESCRIPTION	LIST
	ECWS362466R	Right Extended Corner Work Surface- 36 x 24 x 66	\$1,219
	ECWS363066R	Right Extended Corner Work Surface- 36 x 30 x 66	\$1,449
	ECWS422466R	Right Extended Corner Work Surface- 42 x 24 x 66	\$1,309
	ECWS423066R	Right Extended Corner Work Surface- 42 x 30 x 66	\$1,459
	ECWS482466R	Right Extended Corner Work Surface- 48 x 24 x 66	\$1,319
	ECWS483066R	Right Extended Corner Work Surface- 48 x 30 x 66	\$1,505

72"W	SKU	DESCRIPTION	LIST
	ECWS362472R	Right Extended Corner Work Surface- 36 x 24 x 72	\$1,309
	ECWS363072R	Right Extended Corner Work Surface- 36 x 30 x 72	\$1,555
	ECWS422472R	Right Extended Corner Work Surface- 42 x 24 x 72	\$1,375
	ECWS423072R	Right Extended Corner Work Surface- 42 x 30 x 72	\$1,555
	ECWS482472R	Right Extended Corner Work Surface- 48 x 24 x 72	\$1,479
	ECWS483072R	Right Extended Corner Work Surface- 48 x 30 x 72	\$1,535

EXTENDED CURVILINEAR CORNER WORK SURFACES- LEFT EXTENSION

DESCRIPTION

These extended curvilinear corner laminate Work Surfaces combine a curvilinear corner surface and rectangular return into one surface. They are handed (L or R) and extend from 42 to 72".

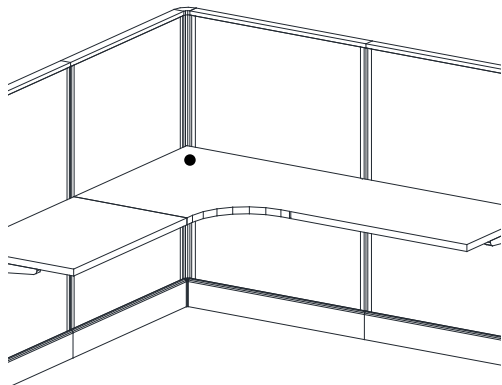


NOTE:

Extended Corner Work Surfaces less than 60"W come w/ two cantilevers, one corner bracket, one grommet and one flat bracket. Extended Corner Work Surfaces 60"W or greater come w/ three cantilevers, one corner bracket, one grommet and one Work Surface support channel. Cantilevers for 24"D Work Surfaces are 16." Cantilevers for 30"D Work Surfaces are 24".

42"W	SKU	DESCRIPTION	LIST
	ECCWS362442L	Left Extended Curvilinear Corner Work Surface-36 x 24 x 42	\$809
48"W	SKU	DESCRIPTION	LIST
	ECCWS362448L	Left Extended Curvilinear Corner Work Surface-36 x 24 x 48	\$905
	ECCWS363048L	Left Extended Curvilinear Corner Work Surface-36 x 30 x 48	\$1,219
	ECCWS422448L	Left Extended Curvilinear Corner Work Surface-42 x 24 x 48	\$975
54"W	SKU	DESCRIPTION	LIST
	ECCWS362454L	Left Extended Curvilinear Corner Work Surface-36 x 24 x 54	\$1,135
	ECCWS363054L	Left Extended Curvilinear Corner Work Surface-36 x 30 x 54	\$1,295
	ECCWS422454L	Left Extended Curvilinear Corner Work Surface-42 x 24 x 54	\$1,189
	ECCWS423054L	Left Extended Curvilinear Corner Work Surface-42 x 30 x 54	\$1,309
	ECCWS482454L	Left Extended Curvilinear Corner Work Surface-48 x 24 x 54	\$1,219
	ECCWS483054L	Left Extended Curvilinear Corner Work Surface-48 x 30 x 54	\$1,419
60"W	SKU	DESCRIPTION	LIST
	ECCWS362460L	Left Extended Curvilinear Corner Work Surface-36 x 24 x 60	\$1,189
	ECCWS363060L	Left Extended Curvilinear Corner Work Surface-36 x 30 x 60	\$1,359
	ECCWS422460L	Left Extended Curvilinear Corner Work Surface-42 x 24 x 60	\$1,275
	ECCWS423060L	Left Extended Curvilinear Corner Work Surface-42 x 30 x 60	\$1,375
	ECCWS482460L	Left Extended Curvilinear Corner Work Surface-48 x 24 x 60	\$1,309
	ECCWS483060L	Left Extended Curvilinear Corner Work Surface-48 x 30 x 60	\$1,495
66"W	SKU	DESCRIPTION	LIST
	ECCWS362466L	Left Extended Curvilinear Corner Work Surface-36 x 24 x 66	\$1,219
	ECCWS363066L	Left Extended Curvilinear Corner Work Surface-36 x 30 x 66	\$1,449
	ECCWS422466L	Left Extended Curvilinear Corner Work Surface-42 x 24 x 66	\$1,309
	ECCWS423066L	Left Extended Curvilinear Corner Work Surface-42 x 30 x 66	\$1,459
	ECCWS482466L	Left Extended Curvilinear Corner Work Surface-48 x 24 x 66	\$1,319
	ECCWS483066L	Left Extended Curvilinear Corner Work Surface-48 x 30 x 66	\$1,505
72"W	SKU	DESCRIPTION	LIST
	ECCWS362472L	Left Extended Curvilinear Corner Work Surface-36 x 24 x 72	\$1,309
	ECCWS363072L	Left Extended Curvilinear Corner Work Surface-36 x 30 x 72	\$1,555
	ECCWS422472L	Left Extended Curvilinear Corner Work Surface-42 x 24 x 72	\$1,375
	ECCWS423072L	Left Extended Curvilinear Corner Work Surface-42 x 30 x 72	\$1,555
	ECCWS482472L	Left Extended Curvilinear Corner Work Surface-48 x 24 x 72	\$1,479
	ECCWS483072L	Left Extended Curvilinear Corner Work Surface-48 x 30 x 72	\$1,535

EXTENDED CURVILINEAR CORNER WORK SURFACES- RIGHT EXTENSION



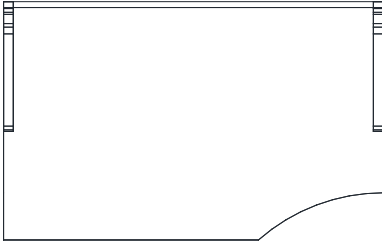
42"W	SKU	DESCRIPTION	LIST
	ECCWS362442R	Right Extended Curvilinear Corner Work Surface- 36 x 24 x 42	\$809
48"W	SKU	DESCRIPTION	LIST
	ECCWS362448R	Right Extended Curvilinear Corner Work Surface- 36 x 24 x 48	\$905
	ECCWS363048R	Right Extended Curvilinear Corner Work Surface- 36 x 30 x 48	\$1,219
	ECCWS422448R	Right Extended Curvilinear Corner Work Surface- 42 x 24 x 48	\$975
54"W	SKU	DESCRIPTION	LIST
	ECCWS362454R	Right Extended Curvilinear Corner Work Surface- 36 x 24 x 54	\$1,135
	ECCWS363054R	Right Extended Curvilinear Corner Work Surface- 36 x 30 x 54	\$1,295
	ECCWS422454R	Right Extended Curvilinear Corner Work Surface- 42 x 24 x 54	\$1,189
	ECCWS423054R	Right Extended Curvilinear Corner Work Surface- 42 x 30 x 54	\$1,309
	ECCWS482454R	Right Extended Curvilinear Corner Work Surface- 48 x 24 x 54	\$1,219
	ECCWS483054R	Right Extended Curvilinear Corner Work Surface- 48 x 30 x 54	\$1,419
60"W	SKU	DESCRIPTION	LIST
	ECCWS362460R	Right Extended Curvilinear Corner Work Surface- 36 x 24 x 60	\$1,189
	ECCWS363060R	Right Extended Curvilinear Corner Work Surface- 36 x 30 x 60	\$1,359
	ECCWS422460R	Right Extended Curvilinear Corner Work Surface- 42 x 24 x 60	\$1,275
	ECCWS423060R	Right Extended Curvilinear Corner Work Surface- 42 x 30 x 60	\$1,375
	ECCWS482460R	Right Extended Curvilinear Corner Work Surface- 48 x 24 x 60	\$1,309
	ECCWS483060R	Right Extended Curvilinear Corner Work Surface- 48 x 30 x 60	\$1,495
66"W	SKU	DESCRIPTION	LIST
	ECCWS362466R	Right Extended Curvilinear Corner Work Surface- 36 x 24 x 66	\$1,219
	ECCWS363066R	Right Extended Curvilinear Corner Work Surface- 36 x 30 x 66	\$1,449
	ECCWS422466R	Right Extended Curvilinear Corner Work Surface- 42 x 24 x 66	\$1,309
	ECCWS423066R	Right Extended Curvilinear Corner Work Surface- 42 x 30 x 66	\$1,459
	ECCWS482466R	Right Extended Curvilinear Corner Work Surface- 48 x 24 x 66	\$1,319
	ECCWS483066R	Right Extended Curvilinear Corner Work Surface- 48 x 30 x 66	\$1,505
72"W	SKU	DESCRIPTION	LIST
	ECCWS362472R	Right Extended Curvilinear Corner Work Surface- 36 x 24 x 72	\$1,309
	ECCWS363072R	Right Extended Curvilinear Corner Work Surface- 36 x 30 x 72	\$1,555
	ECCWS422472R	Right Extended Curvilinear Corner Work Surface- 42 x 24 x 72	\$1,375
	ECCWS423072R	Right Extended Curvilinear Corner Work Surface- 42 x 30 x 72	\$1,555
	ECCWS482472R	Right Extended Curvilinear Corner Work Surface- 48 x 24 x 72	\$1,479
	ECCWS483072R	Right Extended Curvilinear Corner Work Surface- 48 x 30 x 72	\$1,535

COCKPIT RETURN WORK SURFACES

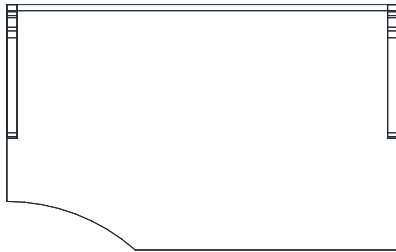
DESCRIPTION

These cockpit return laminate Work Surfaces come standard w/ cantilevers for panel applications w/ widths ranging from 36" to 96". They are offered in both 24" and 30" depths.

LEFT



RIGHT



NOTE:

Cockpit Return Work Surfaces less than 60" come w/ two cantilevers and one flat bracket. Cockpit Return Work Surfaces 60"W or greater come w/ three cantilevers, one flat bracket and one Work Surface support channel.

36"W	SKU	DESCRIPTION	LIST
	CPWS243630L	24 x 36 x 30 Left Cockpit Work Surface	\$545
	CPWS243630R	24 x 36 x 30 Right Cockpit Work Surface	\$545

42"W	SKU	DESCRIPTION	LIST
	CPWS244230L	24 x 42 x 30 Left Cockpit Work Surface	\$629
	CPWS244230R	24 x 42 x 30 Right Cockpit Work Surface	\$629

48"W	SKU	DESCRIPTION	LIST
	CPWS244830L	24 x 48 x 30 Left Cockpit Work Surface	\$715
	CPWS244830R	24 x 48 x 30 Right Cockpit Work Surface	\$715

60"W	SKU	DESCRIPTION	LIST
	CPWS246030L	24 x 60 x 30 Left Cockpit Work Surface	\$895
	CPWS246030R	24 x 60 x 30 Right Cockpit Work Surface	\$895

66"W	SKU	DESCRIPTION	LIST
	CPWS246630L	24 x 66 x 30 Left Cockpit Work Surface	\$935
	CPWS246630R	24 x 66 x 30 Right Cockpit Work Surface	\$935

72"W	SKU	DESCRIPTION	LIST
	CPWS247230L	24 x 72 x 30 Left Cockpit Work Surface	\$1,015
	CPWS247230R	24 x 72 x 30 Right Cockpit Work Surface	\$1,015

84"W	SKU	DESCRIPTION	LIST
	CPWS248430L	24 x 84 x 30 Left Cockpit Work Surface	\$1,135
	CPWS248430R	24 x 84 x 30 Right Cockpit Work Surface	\$1,135

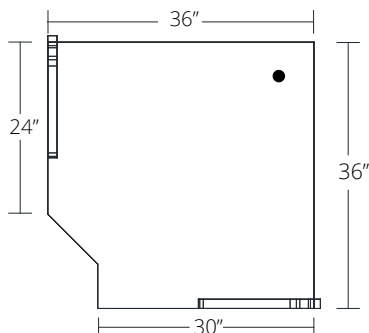
96"W	SKU	DESCRIPTION	LIST
	CPWS249630L	24 x 96 x 30 Left Cockpit Work Surface	\$1,309
	CPWS249630R	24 x 96 x 30 Right Cockpit Work Surface	\$1,309

DEPTH TRANSITION CORNER WORK SURFACES

DESCRIPTION

These laminate corner Work Surfaces have 24"D on one side and 30"D on the other side. They are used w/ 24 and 30"D return surfaces. If you are sitting at the desk, the depth that is on your left is denoted w/ an "L" and the depth on your right is denoted w/ an "R."

EXAMPLE: DTCWS3630R24L

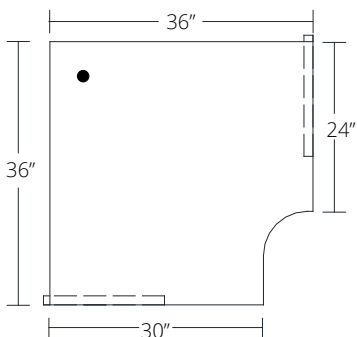


DEPTH TRANSITION CURVILINEAR CORNER WORK SURFACES

DESCRIPTION

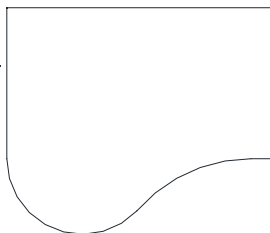
These curvilinear corner Work Surfaces have 24"D on one side and 30"D on the other side. They are used w/ 24 and 30"D return surfaces. If you are sitting at the desk, the depth that is on your left is denoted w/ an "L" and the depth on your right is denoted w/ an "R."

EXAMPLE: DTCCWS3624R30L

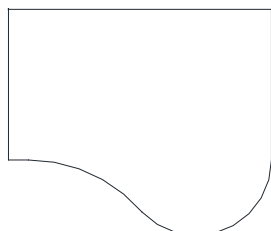


C-SHAPED WORK SURFACES

LEFT



RIGHT



SKU	DESCRIPTION	LIST
DTCWS3624R30L	36 x 24 x 30 Depth Transition Corner Work Surface	\$885
DTCWS3630R24L	36 x 30 x 24 Depth Transition Corner Work Surface	\$885
DTCWS4224R30L	42 x 24 x 30 Depth Transition Corner Work Surface	\$895
DTCWS4230R24L	42 x 30 x 24 Depth Transition Corner Work Surface	\$895
DTCWS4824R30L	48 x 24 x 30 Depth Transition Corner Work Surface	\$1,035
DTCWS4830R24L	48 x 30 x 24 Depth Transition Corner Work Surface	\$1,035

NOTE: Depth Transition Corner Work Surfaces come w/ two cantilevers, one grommet and one corner bracket.

SKU	DESCRIPTION	LIST
DTCCWS3624R30L	36 x 24 x 30 Depth Transition Curvilinear Corner Work Surface	\$885
DTCCWS3630R24L	36 x 30 x 24 Depth Transition Curvilinear Corner Work Surface	\$885
DTCCWS4224R30L	42 x 24 x 30 Depth Transition Curvilinear Corner Work Surface	\$895
DTCCWS4230R24L	42 x 30 x 24 Depth Transition Curvilinear Corner Work Surface	\$895
DTCCWS4824R30L	48 x 24 x 30 Depth Transition Curvilinear Corner Work Surface	\$1,035
DTCCWS4830R24L	48 x 30 x 24 Depth Transition Curvilinear Corner Work Surface	\$1,035

NOTE: Depth Transition Curvilinear Corner Work Surfaces come w/ two cantilevers, one grommet and one corner bracket.

SKU	DESCRIPTION	LIST
CWSL423624	42 x 36 x 24 Left C-Shaped Corner Work Surface	\$749
CWSL483624	48 x 36 x 24 Left C-Shaped Corner Work Surface	\$825
CWSR423624	42 x 36 x 24 Right C-Shaped Corner Work Surface	\$749
CWSR483624	48 x 36 x 24 Right C-Shaped Corner Work Surface	\$825

NOTE: C-Shaped Work Surfaces come w/ two cantilevers and one flat bracket.

PENINSULA WORK SURFACES

DESCRIPTION

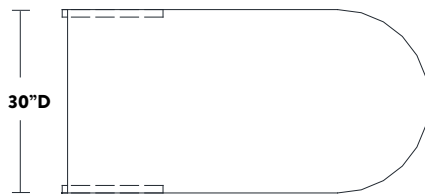
These laminate surfaces can be hung from a panel w/ cantilevers or wall tracks on the rectangular side and must be supported w/ legs on the curved side. Legs are not included and must be specified separately. Peninsulas are available in widths ranging from 36" to 96" and depths of 24" and 30."

NOTE:

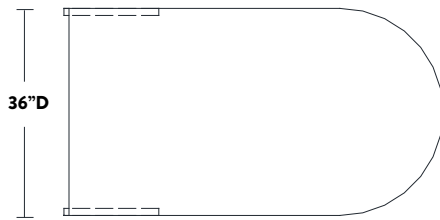
Peninsula Work Surfaces come w/ two cantilevers.



24"D	SKU	DESCRIPTION	LIST
	PEN4824	48W x 24D Peninsula (No Leg)	\$1,025
	PEN5424	54W x 24D Peninsula (No Leg)	\$1,065
	PEN6024	60W x 24D Peninsula (No Leg)	\$1,125
	PEN6624	66W x 24D Peninsula (No Leg)	\$1,145
	PEN7224	72W x 24D Peninsula (No Leg)	\$1,169
	PEN8424	84W x 24D Peninsula (No Leg)	\$1,555



30"D	SKU	DESCRIPTION	LIST
	PEN4830	48W x 30D Peninsula (No Leg)	\$1,089
	PEN5430	54W x 30D Peninsula (No Leg)	\$1,089
	PEN6030	60W x 30D Peninsula (No Leg)	\$1,155
	PEN6630	66W x 30D Peninsula (No Leg)	\$1,179
	PEN7230	72W x 30D Peninsula (No Leg)	\$1,209
	PEN8430	84W x 30D Peninsula (No Leg)	\$1,779



36"D	SKU	DESCRIPTION	LIST
	PEN4836	48W x 36D Peninsula (No Leg)	\$1,295
	PEN5436	54W x 36D Peninsula (No Leg)	\$1,309
	PEN6036	60W x 36D Peninsula (No Leg)	\$1,375
	PEN6636	66W x 36D Peninsula (No Leg)	\$1,419
	PEN7236	72W x 36D Peninsula (No Leg)	\$1,469
	PEN8436	84W x 36D Peninsula (No Leg)	\$2,139

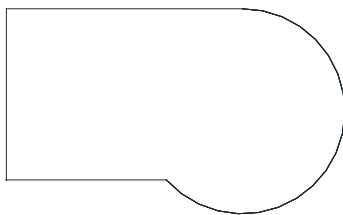
CONFERENCE PENINSULA WORK SURFACES

DESCRIPTION

Conference peninsulas are similar to peninsula surfaces, but have a larger curvilinear end surface, allowing extra room for collaboration. Legs must be specified separately.

NOTE:

Conference Peninsula Work Surfaces come w/ two cantilevers.



SKU	DESCRIPTION	LIST
PENCE6030L	60 x 30 Peninsula Conference- Left End (No Leg)	\$1,169
PENCE6030R	60 x 30 Peninsula Conference- Right End (No Leg)	\$1,169
PENCE6630L	66 x 30 Peninsula Conference- Left End (No Leg)	\$1,285
PENCE6630R	66 x 30 Peninsula Conference- Right End (No Leg)	\$1,285
PENCE7230L	72 x 30 Peninsula Conference- Left End (No Leg)	\$1,395
PENCE7230R	72 x 30 Peninsula Conference- Right End (No Leg)	\$1,395
PENCE8430L	84 x 30 Peninsula Conference- Left End (No Leg)	\$1,479
PENCE8430R	84 x 30 Peninsula Conference- Right End (No Leg)	\$1,479

EXTENDED CORNER PENINSULA WORK SURFACES- LEFT EXTENSION

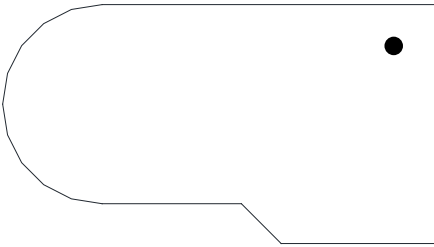
DESCRIPTION

These laminate surfaces combine an extended corner Work Surface w/ a peninsula. They hang from a panel or wall tracks and must be supported w/ legs on the curved side. Legs are not included and must be specified separately.

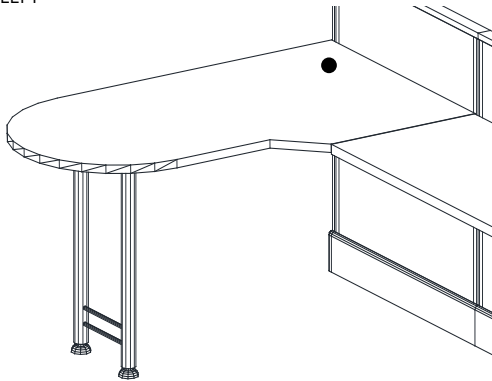
NOTE:

Extended Corner Peninsula Work Surfaces come w/ two cantilevers, and one grommet. If they are 60"W or greater, they come w/ one Work Surface support channel.

LEFT



LEFT



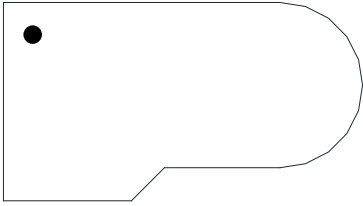
NOTE:

Leg sold separately

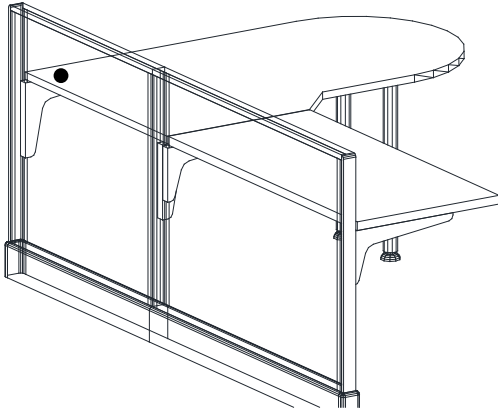
SKU	DESCRIPTION	LIST
ECPEN243648L	24 x 36 x 48 Extended Corner Peninsula- Left Ext. (No Leg)	\$1,035
ECPEN243654L	24 x 36 x 54 Extended Corner Peninsula- Left Ext. (No Leg)	\$1,099
ECPEN243660L	24 x 36 x 60 Extended Corner Peninsula- Left Ext. (No Leg)	\$1,135
ECPEN243666L	24 x 36 x 66 Extended Corner Peninsula- Left Ext. (No Leg)	\$1,175
ECPEN243672L	24 x 36 x 72 Extended Corner Peninsula- Left Ext. (No Leg)	\$1,219
ECPEN243684L	24 x 36 x 84 Extended Corner Peninsula- Left Ext. (No Leg)	\$1,339
ECPEN244248L	24 x 42 x 48 Extended Corner Peninsula- Left Ext. (No Leg)	\$1,169
ECPEN244254L	24 x 42 x 54 Extended Corner Peninsula- Left Ext. (No Leg)	\$1,209
ECPEN244260L	24 x 42 x 60 Extended Corner Peninsula- Left Ext. (No Leg)	\$1,275
ECPEN244266L	24 x 42 x 66 Extended Corner Peninsula- Left Ext. (No Leg)	\$1,309
ECPEN244272L	24 x 42 x 72 Extended Corner Peninsula- Left Ext. (No Leg)	\$1,375
ECPEN244284L	24 x 42 x 84 Extended Corner Peninsula- Left Ext. (No Leg)	\$1,505
ECPEN244848L	24 x 48 x 48 Extended Corner Peninsula- Left Ext. (No Leg)	\$1,189
ECPEN244854L	24 x 48 x 54 Extended Corner Peninsula- Left Ext. (No Leg)	\$1,265
ECPEN244860L	24 x 48 x 60 Extended Corner Peninsula- Left Ext. (No Leg)	\$1,309
ECPEN244866L	24 x 48 x 66 Extended Corner Peninsula- Left Ext. (No Leg)	\$1,319
ECPEN244872L	24 x 48 x 72 Extended Corner Peninsula- Left Ext. (No Leg)	\$1,329
ECPEN244884L	24 x 48 x 84 Extended Corner Peninsula- Left Ext. (No Leg)	\$1,519
ECPEN303648L	30 x 36 x 48 Extended Corner Peninsula- Left Ext. (No Leg)	\$1,135
ECPEN303654L	30 x 36 x 54 Extended Corner Peninsula- Left Ext. (No Leg)	\$1,179
ECPEN303660L	30 x 36 x 60 Extended Corner Peninsula- Left Ext. (No Leg)	\$1,249
ECPEN303666L	30 x 36 x 66 Extended Corner Peninsula- Left Ext. (No Leg)	\$1,319
ECPEN303672L	30 x 36 x 72 Extended Corner Peninsula- Left Ext. (No Leg)	\$1,495
ECPEN303684L	30 x 36 x 84 Extended Corner Peninsula- Left Ext. (No Leg)	\$1,579
ECPEN304248L	30 x 42 x 48 Extended Corner Peninsula- Left Ext. (No Leg)	\$1,275
ECPEN304254L	30 x 42 x 54 Extended Corner Peninsula- Left Ext. (No Leg)	\$1,319
ECPEN304260L	30 x 42 x 60 Extended Corner Peninsula- Left Ext. (No Leg)	\$1,375
ECPEN304266L	30 x 42 x 66 Extended Corner Peninsula- Left Ext. (No Leg)	\$1,459
ECPEN304272L	30 x 42 x 72 Extended Corner Peninsula- Left Ext. (No Leg)	\$1,555
ECPEN304284L	30 x 42 x 84 Extended Corner Peninsula- Left Ext. (No Leg)	\$1,779
ECPEN304848L	30 x 48 x 48 Extended Corner Peninsula- Left Ext. (No Leg)	\$1,375
ECPEN304854L	30 x 48 x 54 Extended Corner Peninsula- Left Ext. (No Leg)	\$1,429
ECPEN304860L	30 x 48 x 60 Extended Corner Peninsula- Left Ext. (No Leg)	\$1,495
ECPEN304866L	30 x 48 x 66 Extended Corner Peninsula- Left Ext. (No Leg)	\$1,505
ECPEN304872L	30 x 48 x 72 Extended Corner Peninsula- Left Ext. (No Leg)	\$1,535
ECPEN304884L	30 x 48 x 84 Extended Corner Peninsula- Left Ext. (No Leg)	\$1,789

EXTENDED CORNER PENINSULA WORK SURFACES- RIGHT EXTENSION

RIGHT



RIGHT



NOTE:
Leg sold separately

SKU	DESCRIPTION	LIST
ECPEN243648R	24 x 36 x 48 Extended Corner Peninsula- Right Ext. (No Leg)	\$1,035
ECPEN243654R	24 x 36 x 54 Extended Corner Peninsula- Right Ext. (No Leg)	\$1,099
ECPEN243660R	24 x 36 x 60 Extended Corner Peninsula- Right Ext. (No Leg)	\$1,135
ECPEN243666R	24 x 36 x 66 Extended Corner Peninsula- Right Ext. (No Leg)	\$1,175
ECPEN243672R	24 x 36 x 72 Extended Corner Peninsula- Right Ext. (No Leg)	\$1,219
ECPEN243684R	24 x 36 x 84 Extended Corner Peninsula- Right Ext. (No Leg)	\$1,339
ECPEN244248R	24 x 42 x 48 Extended Corner Peninsula- Right Ext. (No Leg)	\$1,169
ECPEN244254R	24 x 42 x 54 Extended Corner Peninsula- Right Ext. (No Leg)	\$1,209
ECPEN244260R	24 x 42 x 60 Extended Corner Peninsula- Right Ext. (No Leg)	\$1,275
ECPEN244266R	24 x 42 x 66 Extended Corner Peninsula- Right Ext. (No Leg)	\$1,309
ECPEN244272R	24 x 42 x 72 Extended Corner Peninsula- Right Ext. (No Leg)	\$1,375
ECPEN244284R	24 x 42 x 84 Extended Corner Peninsula- Right Ext. (No Leg)	\$1,505
ECPEN244848R	24 x 48 x 48 Extended Corner Peninsula- Right Ext. (No Leg)	\$1,189
ECPEN244854R	24 x 48 x 54 Extended Corner Peninsula- Right Ext. (No Leg)	\$1,265
ECPEN244860R	24 x 48 x 60 Extended Corner Peninsula- Right Ext. (No Leg)	\$1,309
ECPEN244866R	24 x 48 x 66 Extended Corner Peninsula- Right Ext. (No Leg)	\$1,319
ECPEN244872R	24 x 48 x 72 Extended Corner Peninsula- Right Ext. (No Leg)	\$1,329
ECPEN244884R	24 x 48 x 84 Extended Corner Peninsula- Right Ext. (No Leg)	\$1,519
ECPEN303648R	30 x 36 x 48 Extended Corner Peninsula- Right Ext. (No Leg)	\$1,135
ECPEN303654R	30 x 36 x 54 Extended Corner Peninsula- Right Ext. (No Leg)	\$1,179
ECPEN303660R	30 x 36 x 60 Extended Corner Peninsula- Right Ext. (No Leg)	\$1,249
ECPEN303666R	30 x 36 x 66 Extended Corner Peninsula- Right Ext. (No Leg)	\$1,319
ECPEN303672R	30 x 36 x 72 Extended Corner Peninsula- Right Ext. (No Leg)	\$1,495
ECPEN303684R	30 x 36 x 84 Extended Corner Peninsula- Right Ext. (No Leg)	\$1,579
ECPEN304248R	30 x 42 x 48 Extended Corner Peninsula- Right Ext. (No Leg)	\$1,275
ECPEN304254R	30 x 42 x 54 Extended Corner Peninsula- Right Ext. (No Leg)	\$1,319
ECPEN304260R	30 x 42 x 60 Extended Corner Peninsula- Right Ext. (No Leg)	\$1,375
ECPEN304266R	30 x 42 x 66 Extended Corner Peninsula- Right Ext. (No Leg)	\$1,459
ECPEN304272R	30 x 42 x 72 Extended Corner Peninsula- Right Ext. (No Leg)	\$1,555
ECPEN304284R	30 x 42 x 84 Extended Corner Peninsula- Right Ext. (No Leg)	\$1,779
ECPEN304848R	30 x 48 x 48 Extended Corner Peninsula- Right Ext. (No Leg)	\$1,375
ECPEN304854R	30 x 48 x 54 Extended Corner Peninsula- Right Ext. (No Leg)	\$1,429
ECPEN304860R	30 x 48 x 60 Extended Corner Peninsula- Right Ext. (No Leg)	\$1,495
ECPEN304866R	30 x 48 x 66 Extended Corner Peninsula- Right Ext. (No Leg)	\$1,505
ECPEN304872R	30 x 48 x 72 Extended Corner Peninsula- Right Ext. (No Leg)	\$1,535
ECPEN304884R	30 x 48 x 84 Extended Corner Peninsula- Right Ext. (No Leg)	\$1,789

EXTENDED CURVED CORNER PENINSULA WORK SURFACES- LEFT EXTENSION

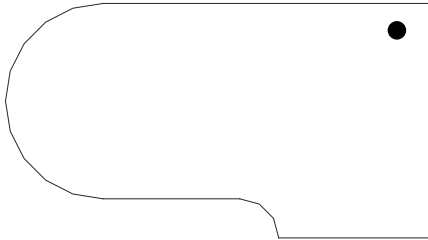
DESCRIPTION

These laminate surfaces combine an extended curved corner Work Surface w/ a peninsula. They hang from a panel or wall tracks and must be supported w/ legs on the curved side. Legs are not included and must be specified separately.

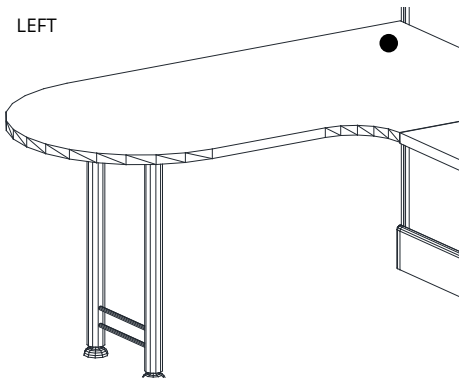
NOTE:

Extended Curved Corner Peninsula Work Surfaces come w/ two cantilevers and one grommet. If they are 60"W or greater, they come w/ one Work Surface support channel

LEFT



LEFT



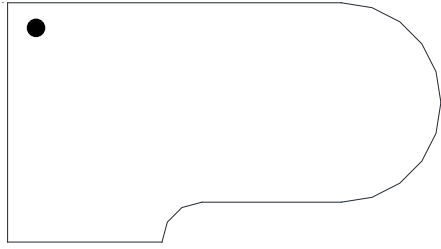
NOTE:

Leg sold separately

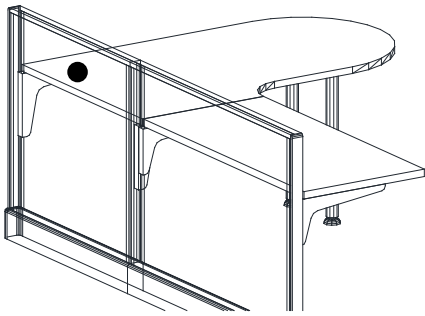
SKU	DESCRIPTION	LIST
ECCPEN243648L	24 x 36 x 48 Extended Curved Corner Peninsula- Left Ext. (No Leg)	\$1,035
ECCPEN243654L	24 x 36 x 54 Extended Curved Corner Peninsula- Left Ext. (No Leg)	\$1,099
ECCPEN243660L	24 x 36 x 60 Extended Curved Corner Peninsula- Left Ext. (No Leg)	\$1,135
ECCPEN243666L	24 x 36 x 66 Extended Curved Corner Peninsula- Left Ext. (No Leg)	\$1,175
ECCPEN243672L	24 x 36 x 72 Extended Curved Corner Peninsula- Left Ext. (No Leg)	\$1,219
ECCPEN243684L	24 x 36 x 84 Extended Curved Corner Peninsula- Left Ext. (No Leg)	\$1,339
ECCPEN244248L	24 x 42 x 48 Extended Curved Corner Peninsula- Left Ext. (No Leg)	\$1,169
ECCPEN244254L	24 x 42 x 54 Extended Curved Corner Peninsula- Left Ext. (No Leg)	\$1,209
ECCPEN244260L	24 x 42 x 60 Extended Curved Corner Peninsula- Left Ext. (No Leg)	\$1,275
ECCPEN244266L	24 x 42 x 66 Extended Curved Corner Peninsula- Left Ext. (No Leg)	\$1,309
ECCPEN244272L	24 x 42 x 72 Extended Curved Corner Peninsula- Left Ext. (No Leg)	\$1,375
ECCPEN244284L	24 x 42 x 84 Extended Curved Corner Peninsula- Left Ext. (No Leg)	\$1,505
ECCPEN244848L	24 x 48 x 48 Extended Curved Corner Peninsula- Left Ext. (No Leg)	\$1,189
ECCPEN244854L	24 x 48 x 54 Extended Curved Corner Peninsula- Left Ext. (No Leg)	\$1,265
ECCPEN244860L	24 x 48 x 60 Extended Curved Corner Peninsula- Left Ext. (No Leg)	\$1,309
ECCPEN244866L	24 x 48 x 66 Extended Curved Corner Peninsula- Left Ext. (No Leg)	\$1,319
ECCPEN244872L	24 x 48 x 72 Extended Curved Corner Peninsula- Left Ext. (No Leg)	\$1,329
ECCPEN244884L	24 x 48 x 84 Extended Curved Corner Peninsula- Left Ext. (No Leg)	\$1,519
ECCPEN303648L	30 x 36 x 48 Extended Curved Corner Peninsula- Left Ext. (No Leg)	\$1,135
ECCPEN303654L	30 x 36 x 54 Extended Curved Corner Peninsula- Left Ext. (No Leg)	\$1,179
ECCPEN303660L	30 x 36 x 60 Extended Curved Corner Peninsula- Left Ext. (No Leg)	\$1,249
ECCPEN303666L	30 x 36 x 66 Extended Curved Corner Peninsula- Left Ext. (No Leg)	\$1,319
ECCPEN303672L	30 x 36 x 72 Extended Curved Corner Peninsula- Left Ext. (No Leg)	\$1,495
ECCPEN303684L	30 x 36 x 84 Extended Curved Corner Peninsula- Left Ext. (No Leg)	\$1,579
ECCPEN304248L	30 x 42 x 48 Extended Curved Corner Peninsula- Left Ext. (No Leg)	\$1,275
ECCPEN304254L	30 x 42 x 54 Extended Curved Corner Peninsula- Left Ext. (No Leg)	\$1,319
ECCPEN304260L	30 x 42 x 60 Extended Curved Corner Peninsula- Left Ext. (No Leg)	\$1,375
ECCPEN304266L	30 x 42 x 66 Extended Curved Corner Peninsula- Left Ext. (No Leg)	\$1,459
ECCPEN304272L	30 x 42 x 72 Extended Curved Corner Peninsula- Left Ext. (No Leg)	\$1,555
ECCPEN304284L	30 x 42 x 84 Extended Curved Corner Peninsula- Left Ext. (No Leg)	\$1,779
ECCPEN304848L	30 x 48 x 48 Extended Curved Corner Peninsula- Left Ext. (No Leg)	\$1,375
ECCPEN304854L	30 x 48 x 54 Extended Curved Corner Peninsula- Left Ext. (No Leg)	\$1,429
ECCPEN304860L	30 x 48 x 60 Extended Curved Corner Peninsula- Left Ext. (No Leg)	\$1,495
ECCPEN304866L	30 x 48 x 66 Extended Curved Corner Peninsula- Left Ext. (No Leg)	\$1,505
ECCPEN304872L	30 x 48 x 72 Extended Curved Corner Peninsula- Left Ext. (No Leg)	\$1,535
ECCPEN304884L	30 x 48 x 84 Extended Curved Corner Peninsula- Left Ext. (No Leg)	\$1,789

EXTENDED CURVED CORNER PENINSULA WORK SURFACES- RIGHT EXTENSION

RIGHT



RIGHT



NOTE:
Leg sold separately

SKU	DESCRIPTION	LIST
ECCPEN243648R	24 x 36 x 48 Extended Curved Corner Peninsula- Right Ext. (No Leg)	\$1,035
ECCPEN243654R	24 x 36 x 54 Extended Curved Corner Peninsula- Right Ext. (No Leg)	\$1,099
ECCPEN243660R	24 x 36 x 60 Extended Curved Corner Peninsula- Right Ext. (No Leg)	\$1,135
ECCPEN243666R	24 x 36 x 66 Extended Curved Corner Peninsula- Right Ext. (No Leg)	\$1,175
ECCPEN243672R	24 x 36 x 72 Extended Curved Corner Peninsula- Right Ext. (No Leg)	\$1,219
ECCPEN243684R	24 x 36 x 84 Extended Curved Corner Peninsula- Right Ext. (No Leg)	\$1,339
ECCPEN244248R	24 x 42 x 48 Extended Curved Corner Peninsula- Right Ext. (No Leg)	\$1,169
ECCPEN244254R	24 x 42 x 54 Extended Curved Corner Peninsula- Right Ext. (No Leg)	\$1,209
ECCPEN244260R	24 x 42 x 60 Extended Curved Corner Peninsula- Right Ext. (No Leg)	\$1,275
ECCPEN244266R	24 x 42 x 66 Extended Curved Corner Peninsula- Right Ext. (No Leg)	\$1,309
ECCPEN244272R	24 x 42 x 72 Extended Curved Corner Peninsula- Right Ext. (No Leg)	\$1,375
ECCPEN244284R	24 x 42 x 84 Extended Curved Corner Peninsula- Right Ext. (No Leg)	\$1,505
ECCPEN244848R	24 x 48 x 48 Extended Curved Corner Peninsula- Right Ext. (No Leg)	\$1,189
ECCPEN244854R	24 x 48 x 54 Extended Curved Corner Peninsula- Right Ext. (No Leg)	\$1,265
ECCPEN244860R	24 x 48 x 60 Extended Curved Corner Peninsula- Right Ext. (No Leg)	\$1,309
ECCPEN244866R	24 x 48 x 66 Extended Curved Corner Peninsula- Right Ext. (No Leg)	\$1,319
ECCPEN244872R	24 x 48 x 72 Extended Curved Corner Peninsula- Right Ext. (No Leg)	\$1,329
ECCPEN244884R	24 x 48 x 84 Extended Curved Corner Peninsula- Right Ext. (No Leg)	\$1,519
ECCPEN303648R	30 x 36 x 48 Extended Curved Corner Peninsula- Right Ext. (No Leg)	\$1,135
ECCPEN303654R	30 x 36 x 54 Extended Curved Corner Peninsula- Right Ext. (No Leg)	\$1,179
ECCPEN303660R	30 x 36 x 60 Extended Curved Corner Peninsula- Right Ext. (No Leg)	\$1,249
ECCPEN303666R	30 x 36 x 66 Extended Curved Corner Peninsula- Right Ext. (No Leg)	\$1,319
ECCPEN303672R	30 x 36 x 72 Extended Curved Corner Peninsula- Right Ext. (No Leg)	\$1,495
ECCPEN303684R	30 x 36 x 84 Extended Curved Corner Peninsula- Right Ext. (No Leg)	\$1,579
ECCPEN304248R	30 x 42 x 48 Extended Curved Corner Peninsula- Right Ext. (No Leg)	\$1,275
ECCPEN304254R	30 x 42 x 54 Extended Curved Corner Peninsula- Right Ext. (No Leg)	\$1,319
ECCPEN304260R	30 x 42 x 60 Extended Curved Corner Peninsula- Right Ext. (No Leg)	\$1,375
ECCPEN304266R	30 x 42 x 66 Extended Curved Corner Peninsula- Right Ext. (No Leg)	\$1,459
ECCPEN304272R	30 x 42 x 72 Extended Curved Corner Peninsula- Right Ext. (No Leg)	\$1,555
ECCPEN304284R	30 x 42 x 84 Extended Curved Corner Peninsula- Right Ext. (No Leg)	\$1,779
ECCPEN304848R	30 x 48 x 48 Extended Curved Corner Peninsula- Right Ext. (No Leg)	\$1,375
ECCPEN304854R	30 x 48 x 54 Extended Curved Corner Peninsula- Right Ext. (No Leg)	\$1,429
ECCPEN304860R	30 x 48 x 60 Extended Curved Corner Peninsula- Right Ext. (No Leg)	\$1,495
ECCPEN304866R	30 x 48 x 66 Extended Curved Corner Peninsula- Right Ext. (No Leg)	\$1,505
ECCPEN304872R	30 x 48 x 72 Extended Curved Corner Peninsula- Right Ext. (No Leg)	\$1,535
ECCPEN304884R	30 x 48 x 84 Extended Curved Corner Peninsula- Right Ext. (No Leg)	\$1,789

120° WORK SURFACE

DESCRIPTION

These laminate surfaces have a 90 degree end on one side and a 120 degree end on the other side. The SKUs are denoted w/ an L or R to designate which side is 120 and which side is 90.

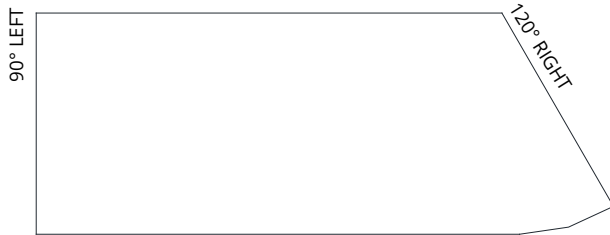
NOTE:

120 Degree Work Surfaces less than 60"W come w/ two cantilevers and one flat bracket. 120 Degree Work Surfaces 60"W or greater come w/ three cantilevers, one flat bracket and one Work Surface support channel. Cantilevers for 24"D Work Surfaces are 16."



120° LEFT, 90° RIGHT

SKU	DESCRIPTION	LIST
WS2424.120L.90R	24 x 24 120 Degree End Left Work Surface	\$505
WS2430.120L.90R	24 x 30 120 Degree End Left Work Surface	\$555
WS2436.120L.90R	24 x 36 120 Degree End Left Work Surface	\$619
WS2442.120L.90R	24 x 42 120 Degree End Left Work Surface	\$655
WS2448.120L.90R	24 x 48 120 Degree End Left Work Surface	\$689
WS2460.120L.90R	24 x 60 120 Degree End Left Work Surface	\$849



120° RIGHT, 90° LEFT

SKU	DESCRIPTION	LIST
WS2424.120R.90L	24 x 24 120 Degree End Right Work Surface	\$505
WS2430.120R.90L	24 x 30 120 Degree End Right Work Surface	\$555
WS2436.120R.90L	24 x 36 120 Degree End Right Work Surface	\$619
WS2442.120R.90L	24 x 42 120 Degree End Right Work Surface	\$655
WS2448.120R.90L	24 x 48 120 Degree End Right Work Surface	\$689
WS2460.120R.90L	24 x 60 120 Degree End Right Work Surface	\$849

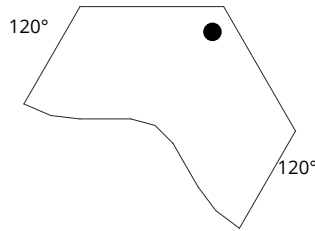
120° CORNER WORK SURFACES

DESCRIPTION

These corner 120 degree laminate Work Surfaces can have two 120 degree ends, two 90 degree ends, or one 90 degree and one 120 degree end. They include one grommet. The SKUs are denoted w/ an L or R if there is a combination of 120 and 90 degree ends. Each side 60"W or greater gets one Work Surface support channel.

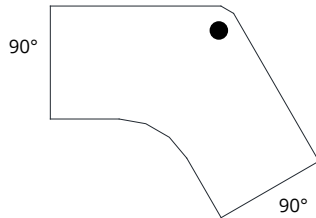
NOTE

Any top 60" or greater must be done in HPL, not in melamine.



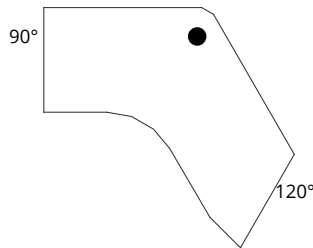
W/ 120° ENDS

SKU	DESCRIPTION	LIST
CWS2424.120.120	24 x 24 x 24D 120 Deg Corner Work Surface w/120 Deg Ends	\$1,025
CWS3030.120.120	30 x 30 x 24D 120 Deg Corner Work Surface w/120 Deg Ends	\$1,109
CWS3636.120.120	36 x 36 x 24D 120 Deg Corner Work Surface w/120 Deg Ends	\$1,219
CWS4242.120.120	42 x 42 x 24D 120 Deg Corner Work Surface w/120 Deg Ends	\$1,359
CWS4848.120.120	48 x 48 x 24D 120 Deg Corner Work Surface w/120 Deg Ends	\$1,505
CWS6060.120.120	60 x 60 x 24D 120 Deg Corner Work Surface w/120 Deg Ends	\$1,869



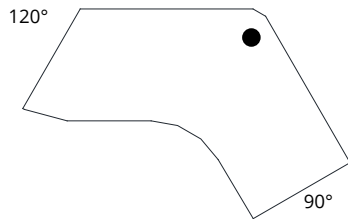
W/ 90° ENDS

SKU	DESCRIPTION	LIST
CWS2424.120.90	24 x 24 x 24D 120 Deg Corner Work Surface w/90 Deg Ends	\$995
CWS3030.120.90	30 x 30 x 24D 120 Deg Corner Work Surface w/90 Deg Ends	\$1,065
CWS3636.120.90	36 x 36 x 24D 120 Deg Corner Work Surface w/90 Deg Ends	\$1,135
CWS4242.120.90	42 x 42 x 24D 120 Deg Corner Work Surface w/90 Deg Ends	\$1,265
CWS4848.120.90	48 x 48 x 24D 120 Deg Corner Work Surface w/90 Deg Ends	\$1,329
CWS6060.120.90	60 x 60 x 24D 120 Deg Corner Work Surface w/90 Deg Ends	\$1,735



W/ 90° LEFT END, 120° RIGHT END

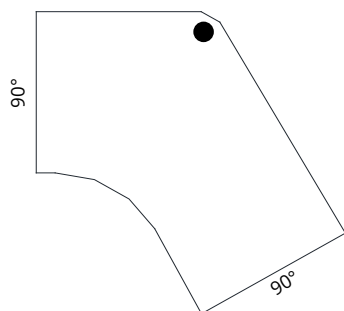
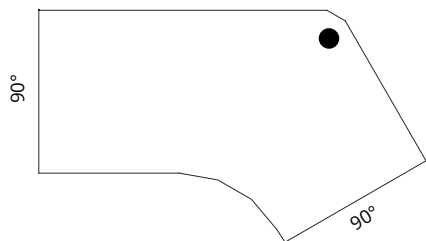
SKU	DESCRIPTION	LIST
CWS3636.120.90L.120R	36 x 36 x 24D, 120 Deg Corner Work Surface w/90 Deg Left End, 120 Deg Right End	\$1,199
CWS4242.120.90L.120R	42 x 42 x 24D, 120 Deg Corner Work Surface w/90 Deg Left End, 120 Deg Right End	\$1,339
CWS4848.120.90L.120R	48 x 48 x 24D, 120 Deg Corner Work Surface w/90 Deg Left End, 120 Deg Right End	\$1,495
CWS6060.120.90L.120R	60 x 60 x 24D, 120 Deg Corner Work Surface w/90 Deg Left End, 120 Deg Right End	\$1,839



W/ 90° RIGHT END, 120° LEFT END

SKU	DESCRIPTION	LIST
CWS3636.120.90R.120L	36 x 36 x 24D, 120 Deg Corner Work Surface w/90 Deg Right End, 120 Deg Left End	\$1,199
CWS4242.120.90R.120L	42 x 42 x 24D, 120 Deg Corner Work Surface w/90 Deg Right End, 120 Deg Left End	\$1,339
CWS4848.120.90R.120L	48 x 48 x 24D, 120 Deg Corner Work Surface w/90 Deg Right End, 120 Deg Left End	\$1,495
CWS6060.120.90R.120L	60 x 60 x 24D, 120 Deg Corner Work Surface w/90 Deg Right End, 120 Deg Left End	\$1,839

120° EXTENDED CORNER WORK SURFACES



LEFT EXTENSION W/ 90 DEGREE ENDS

SKU	DESCRIPTION	LIST
ELCWS3624.120.90	36 x 24 x 24, 120 Deg Left Extended Corner w/90 Deg Ends	\$989
ELCWS3630.120.90	36 x 30 x 24, 120 Deg Left Extended Corner w/90 Deg Ends	\$1,035
ELCWS4224.120.90	42 x 24 x 24, 120 Deg Left Extended Corner w/90 Deg Ends	\$1,065
ELCWS4230.120.90	42 x 30 x 24, 120 Deg Left Extended Corner w/90 Deg Ends	\$1,109
ELCWS4236.120.90	42 x 36 x 24, 120 Deg Left Extended Corner w/90 Deg Ends	\$1,189
ELCWS4824.120.90	48 x 24 x 24, 120 Deg Left Extended Corner w/90 Deg Ends	\$1,109
ELCWS4830.120.90	48 x 30 x 24, 120 Deg Left Extended Corner w/90 Deg Ends	\$1,169
ELCWS4836.120.90	48 x 36 x 24, 120 Deg Left Extended Corner w/90 Deg Ends	\$1,275
ELCWS6024.120.90	60 x 24 x 24, 120 Deg Left Extended Corner w/90 Deg Ends	\$1,495
ELCWS6030.120.90	60 x 30 x 24, 120 Deg Left Extended Corner w/90 Deg Ends	\$1,565
ELCWS6036.120.90	60 x 36 x 24, 120 Deg Left Extended Corner w/90 Deg Ends	\$1,615

RIGHT EXTENSION W/ 90 DEGREE ENDS

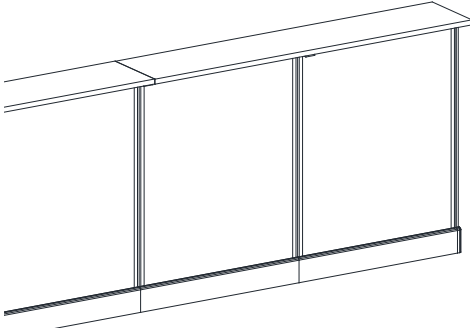
SKU	DESCRIPTION	LIST
ERCWS2436.120.90	24 x 36 x 24, 120 Deg Right Extended Corner w/90 Deg Ends	\$989
ERCWS3036.120.90	30 x 36 x 24, 120 Deg Right Extended Corner w/90 Deg Ends	\$1,035
ERCWS2442.120.90	24 x 42 x 24, 120 Deg Right Extended Corner w/90 Deg Ends	\$1,065
ERCWS3042.120.90	30 x 42 x 24, 120 Deg Right Extended Corner w/90 Deg Ends	\$1,109
ERCWS3642.120.90	36 x 42 x 24, 120 Deg Right Extended Corner w/90 Deg Ends	\$1,189
ERCWS2448.120.90	24 x 48 x 24, 120 Deg Right Extended Corner w/90 Deg Ends	\$1,109
ERCWS3048.120.90	30 x 48 x 24, 120 Deg Right Extended Corner w/90 Deg Ends	\$1,169
ERCWS3648.120.90	36 x 48 x 24, 120 Deg Right Extended Corner w/90 Deg Ends	\$1,275
ERCWS2460.120.90	24 x 60 x 24, 120 Deg Right Extended Corner w/90 Deg Ends	\$1,495
ERCWS3060.120.90	30 x 60 x 24, 120 Deg Right Extended Corner w/90 Deg Ends	\$1,565
ERCWS3660.120.90	36 x 60 x 24, 120 Deg Right Extended Corner w/90 Deg Ends	\$1,615

NOTE: 120 Degree Extended Corner Work Surfaces less than 60" come w/ two cantilevers, one center bracket, one grommet and one flat bracket. 120 Degree Extended Corner Work Surfaces 60" or greater come w/ three cantilevers, one center bracket, one grommet, one flat bracket and one Work Surface support channel. Cantilevers for 24"D Work Surfaces are 16." Cantilevers for 30"D Work Surfaces are 24". Each side 60"W or greater gets one Work Surface support channel.

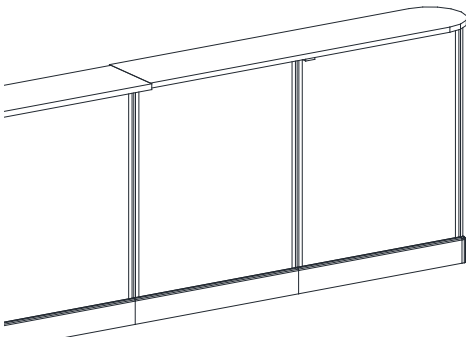
COUNTER CAPS AND SUPPORT BRACKETS

DESCRIPTION

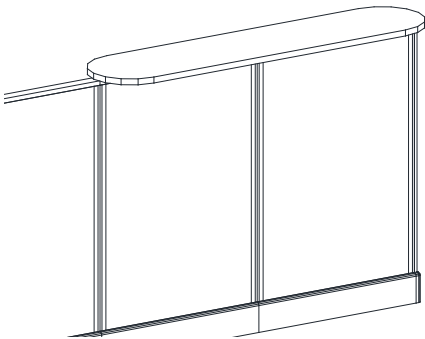
Our laminate Counter Caps are typically specified on 39 or 47H panels and allow for a reception-like counter. Brackets are critical for support and must be specified separately.



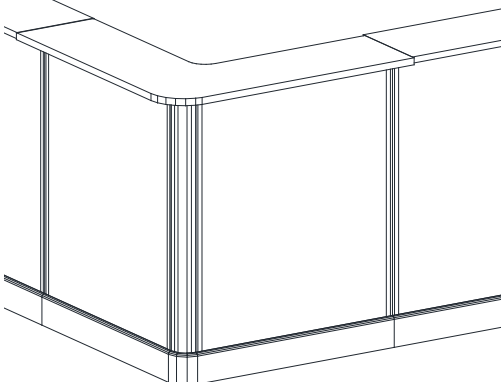
Rectangular Counter Cap shown on 47H panels



Single Round Counter Cap shown on 47H panels



Double Round Counter Cap shown on 47H panels



Round Corner Counter Cap shown on 47H panels

RECTANGULAR COUNTER CAPS

SKU	DESCRIPTION	LIST
CC24	24" Rectangular Counter Cap	\$265
CC30	30" Rectangular Counter Cap	\$265
CC36	36" Rectangular Counter Cap	\$295
CC42	42" Rectangular Counter Cap	\$305
CC48	48" Rectangular Counter Cap	\$325
CC54	54" Rectangular Counter Cap	\$349
CC60	60" Rectangular Counter Cap	\$399
CC66	66" Rectangular Counter Cap	\$435
CC72	72" Rectangular Counter Cap	\$479

SINGLE ROUND COUNTER CAPS

SKU	DESCRIPTION	LIST
CC31SGLRD	31" Single Round Counter Cap- for 24W Panels	\$305
CC37SGLRD	37" Single Round Counter Cap- for 30W Panels	\$339
CC43SGLRD	43" Single Round Counter Cap- for 36W Panels	\$375
CC49SGLRD	49" Single Round Counter Cap- for 42W Panels	\$385
CC55SGLRD	55" Single Round Counter Cap- for 48W Panels	\$399
CC61SGLRD	61" Single Round Counter Cap- for 30W + 24W Panels	\$479
CC67SGLRD	67" Single Round Counter Cap- for 60W Panels	\$505
CC73SGLRD	73" Single Round Counter Cap- for 36W + 30W panels	\$505
CC79SGLRD	79" Single Round Counter Cap- for two 36W Panels	\$619

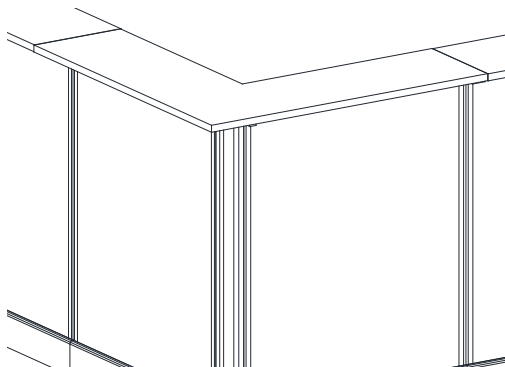
DOUBLE ROUND COUNTER CAPS

SKU	DESCRIPTION	LIST
CC64DBLRD	64" Double Round Counter Cap	\$469
CC76DBLRD	76" Double Round Counter Cap	\$505
CC88DBLRD	88" Double Round Counter Cap	\$555

ROUND CORNER COUNTER CAP

SKU	DESCRIPTION	LIST
CCC3232RD	32-7/8 x 32 7/8 Rounded Corner Cap- 24W Panels	\$399
CCC3838RD	38-7/8 x 38 7/8 Rounded Corner Cap- 30W Panels	\$555
CCC4444RD	44-7/8 x 44 7/8 Rounded Corner Cap- 36W Panels	\$729

COUNTER CAPS AND SUPPORT BRACKETS

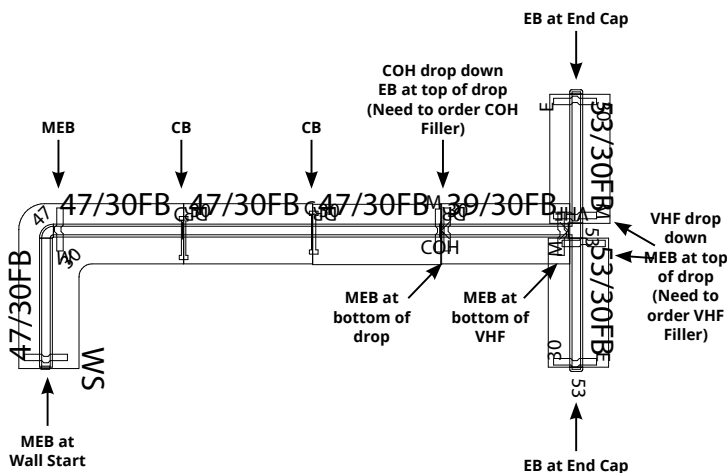
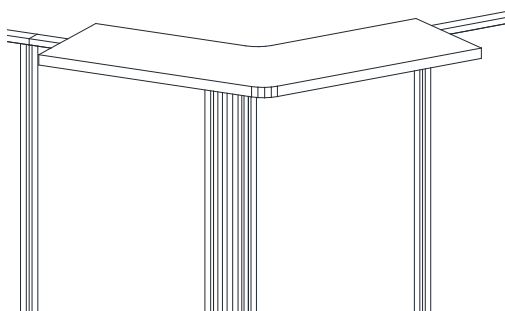


SQUARE CORNER COUNTER CAPS

SKU	DESCRIPTION	LIST
CCC3232SQ	32-7/8 x 32 7/8 Square Corner Cap- 24W Panels	\$419
CCC3838SQ	38-7/8 x 38 7/8 Square Corner Cap- 30W Panels	\$555
CCC4444SQ	44 x 44 Square Corner Cap- 36W Panels	\$739

120° COUNTER CAP

SKU	DESCRIPTION	LIST
CCC2929.120	29 x 29 120 Degree Corner Counter Cap- 24W Panels	\$575



COUNTER CAP BRACKETS

- **Center Bracket** - A Center Bracket (CB) is needed when two counter caps meet at a panel to panel connection.
- **Mid-End Bracket** - A Mid-End Bracket (MEB) is needed when a counter cap is located at a Wall start, at a post connector or when the counter cap run ends but the panel run does not.
- **Mid-End Change of Height** - A Mid-End Bracket Change of Height (MEBCOH) is needed when you have panel to panel drop down and the counter cap is at the bottom of the drop. (Change of Height (COH) filler not included)
- **End Bracket** - End Brackets (EB) are only used with the end cap on the counter and at the top location of a panel to panel drop down.

SKU	DESCRIPTION	LIST
CB	Center Bracket	\$60
EB	End Bracket	\$60
MEB	Mid-End Bracket	\$60
MEBCOH	Mid-End Bracket Change of Height	\$60
MEBCOHV2	MID END BRACKET V2	\$60



Mid-End Change of Height Bracket (MEBCOH)

End Bracket (EB)

Mid-End Bracket (MEB)

Center Bracket (CB)

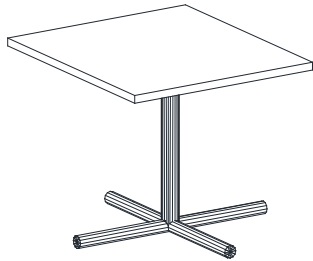
SINGLE & CONFERENCE TOPS

DESCRIPTION

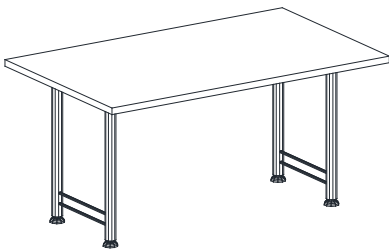
Our standard laminate round table tops range from 30"-60" diameter. A table base is not included and must be specified separately.



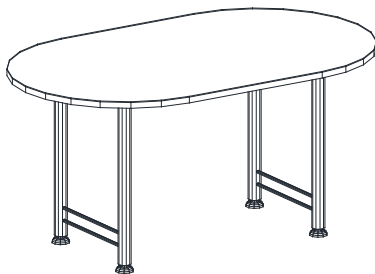
NOTE: X-Base- must be specified separately



NOTE: X-Base- must be specified separately



NOTE: Legs must be specified separately. Rectangular Conference Table Tops 60"W or greater get one Work Surface support channel.



NOTE: Legs must be specified separately. Racetrack Conference Table Tops 60"W or greater get one Work Surface support channel.

ROUND

SKU	DESCRIPTION	LIST
RT30	30" Round Table Top (No hardware or base included)	\$545
RT36	36" Round Table Top (No hardware or base included)	\$729
RT42	42" Round Table Top (No hardware or base included)	\$905
RT48	48" Round Table Top (No hardware or base included)	\$935
RT60	60" Round Table Top (No hardware or base included)	\$1,375

SQUARE

SKU	DESCRIPTION	LIST
SQ3030	30 x 30 Square Table Top (No hardware or base included)	\$505
SQ3636	36 x 36 Square Table Top (No hardware or base included)	\$749
SQ4242	42 x 42 Square Table Top (No hardware or base included)	\$935
SQ4848	48 x 48 Square Table Top (No hardware or base included)	\$965
SQ6060	60 x 60 Square Table Top (No hardware or base included)	\$1,419

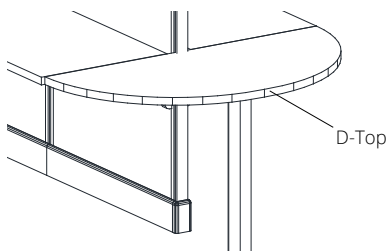
RECTANGULAR CONFERENCE

SKU	DESCRIPTION	LIST
RTC3660	36 x 60 Rectangular Conference Table Top (No hardware or base included)	\$975
RTC3666	36 x 66 Rectangular Conference Table Top (No hardware or base included)	\$1,065
RTC3672	36 x 72 Rectangular Conference Table Top (No hardware or base included)	\$1,169
RTC3684	36 x 84 Rectangular Conference Table Top (No hardware or base included)	\$1,359
RTC3696	36 x 96 Rectangular Conference Table Top (No hardware or base included)	\$1,555
RTC4260	42 x 60 Rectangular Conference Table Top (No hardware or base included)	\$1,065
RTC4266	42 x 66 Rectangular Conference Table Top (No hardware or base included)	\$1,145
RTC4272	42 x 72 Rectangular Conference Table Top (No hardware or base included)	\$1,265
RTC4284	42 x 84 Rectangular Conference Table Top (No hardware or base included)	\$1,535
RTC4296	42 x 96 Rectangular Conference Table Top (No hardware or base included)	\$1,565
RTC4860	48 x 60 Rectangular Conference Table Top (No hardware or base included)	\$1,169
RTC4866	48 x 66 Rectangular Conference Table Top (No hardware or base included)	\$1,265
RTC4872	48 x 72 Rectangular Conference Table Top (No hardware or base included)	\$1,349
RTC4884	48 x 84 Rectangular Conference Table Top (No hardware or base included)	\$1,469
RTC4896	48 x 96 Rectangular Conference Table Top (No hardware or base included)	\$1,565

RACETRACK CONFERENCE

SKU	DESCRIPTION	LIST
RTSC3660	36 x 60 Racetrack Conference Table Top (No hardware or base included)	\$1,089
RTSC3672	36 x 72 Racetrack Conference Table Top (No hardware or base included)	\$1,295
RTSC3684	36 x 84 Racetrack Conference Table Top (No hardware or base included)	\$1,479
RTSC3696	36 x 96 Racetrack Conference Table Top (No hardware or base included)	\$1,659
RTSC4260	42 x 60 Racetrack Conference Table Top (No hardware or base included)	\$1,209
RTSC4272	42 x 72 Racetrack Conference Table Top (No hardware or base included)	\$1,505
RTSC4284	42 x 84 Racetrack Conference Table Top (No hardware or base included)	\$1,659
RTSC4296	42 x 96 Racetrack Conference Table Top (No hardware or base included)	\$1,699
RTSC4860	48 x 60 Racetrack Conference Table Top (No hardware or base included)	\$1,319
RTSC4872	48 x 72 Racetrack Conference Table Top (No hardware or base included)	\$1,495
RTSC4884	48 x 84 Racetrack Conference Table Top (No hardware or base included)	\$1,595
RTSC4896	48 x 96 Racetrack Conference Table Top (No hardware or base included)	\$1,725

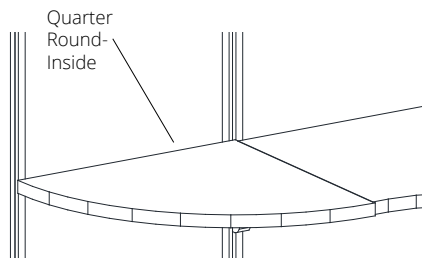
SPECIALTY TOPS



D-TOPS

SKU	DESCRIPTION	LIST
DWS2652	D-Top 26 x 52 Work Surface (No Base)	\$965
DWS3163	D-Top 31-3/4 x 63-3/8 Work Surface (No Base)	\$1,015

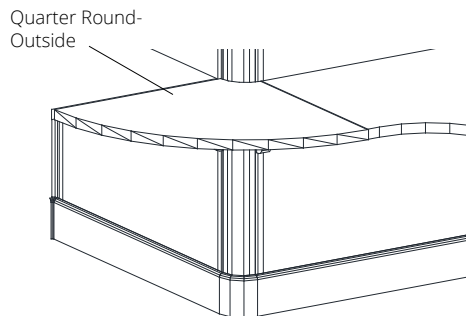
NOTE: Leg must be specified separately. Includes shared cantilever.



QUARTER ROUND - INSIDE

SKU	DESCRIPTION	LIST
QRWS24I	24" Quarter Round Work Surface- Inside	\$399
QRWS24I.120	24" Quarter Round Work Surface- Inside 120 Degree	\$419
QRWS30I	30" Quarter Round Work Surface- Inside	\$525
QRWS30I.120	30" Quarter Round Work Surface- Inside 120 Degree	\$529

NOTE: Corner Bracket and cantilever included



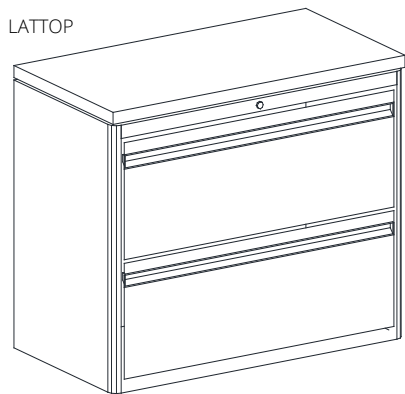
QUARTER ROUND - OUTSIDE

SKU	DESCRIPTION	LIST
QRWS24O	24" Quarter Round Work Surface- Outside	\$399
QRWS24O.120	24" Quarter Round Work Surface- Outside 120 Degree	\$419
QRWS30O	30" Quarter Round Work Surface- Outside	\$525
QRWS30O.120	30" Quarter Round Work Surface- Outside 120 Degree	\$529

NOTE: When Quarter Round- Outside surfaces are specified, two cantilevers are replaced w/ two shared cantilevers.

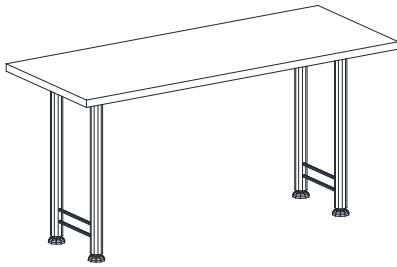
LATERAL FILE TOPS

These surfaces are placed on top of lateral files, providing a Work Surface finished top.



SKU	DESCRIPTION	LIST
LATTOP30	19-7/8D x 30W for 30" Lateral File	\$365
LATTOP36	19-7/8D x 36W for 36" Lateral File	\$419
LATTOP42	19-7/8D x 42W for 42" Lateral File	\$459
LATTOP60	19-7/8D x 60W for two 30" Lateral Files	\$595
LATTOP72	19-7/8D x 72W for two 36" Lateral File	\$715

TRAINING TABLE TOPS

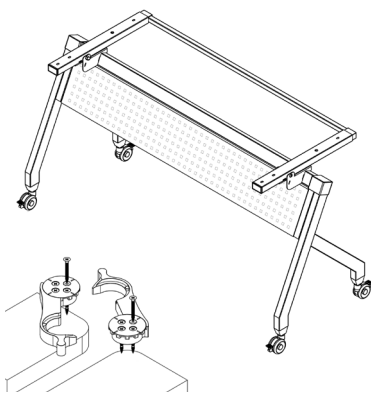


NOTE: Standard Training Table Tops must be specified w/ table legs, sold separately.

TRAINING TABLE

SKU	DESCRIPTION	LIST
TT1860	18 x 60 Training Table Top (No hardware or base included)	\$505
TT1866	18 x 66 Training Table Top (No hardware or base included)	\$555
TT1872	18 x 72 Training Table Top (No hardware or base included)	\$619
TT2030	20 x 30 Training Table Top (No Hardware or base included)	\$375
TT2036	20 X 36 Training Table Top (No hardware or base included)	\$399
TT2042	20 X 42 Training Table Top (No hardware or base included)	\$439
TT2048	20 x 48 Training Table Top (No hardware or base included)	\$469
TT2060	20 x 60 Training Table Top (No hardware or base included)	\$575
TT2066	20 x 66 Training Table Top (No hardware or base included)	\$619
TT2072	20 x 72 Training Table Top (No hardware or base included)	\$699
TT2430	24 x 30 Training Table Top (No Hardware or base included)	\$385
TT2436	24 X 36 Training Table Top (No hardware or base included)	\$419
TT2442	24 X 42 Training Table Top (No hardware or base included)	\$459
TT2448	24 x 48 Training Table Top (No hardware or base included)	\$479
TT2454	24 x 54 Training Table Top (No hardware or base included)	\$565
TT2460	24 x 60 Training Table Top (No hardware or base included)	\$595
TT2466	24 x 66 Training Table Top (No hardware or base included)	\$645
TT2472	24 x 72 Training Table Top (No hardware or base included)	\$715
TT2484	24 x 84 Training Table Top (No hardware or base included)	\$825
TT2496	24 x 96 Training Table Top (No hardware or base included)	\$1,005
TT3030	30 x 30 Training Table Top (No hardware or base included)	\$469
TT3036	30 x 36 Training Table Top (No hardware or base included)	\$489
TT3042	30 x 42 Training Table Top (No hardware or base included)	\$545
TT3048	30 x 48 Training Table Top (No hardware or base included)	\$565
TT3054	30 x 54 Training Table Top (No hardware or base included)	\$689
TT3060	30 x 60 Training Table Top (No hardware or base included)	\$719
TT3066	30 x 66 Training Table Top (No hardware or base included)	\$799
TT3072	30 x 72 Training Table Top (No hardware or base included)	\$889
TT3084	30 x 84 Training Table Top (No hardware or base included)	\$1,015
TT3096	30 x 96 Training Table Top (No hardware or base included)	\$1,175

TRAINING TABLE BASES



Top Connectors

NOTE: (2) required to connect two tables together

TRAINING TABLE BASE

SKU	DESCRIPTION	LIST
TT-ZF-3024.WH	Folding Training Table w/ Casters, Modesty Panel, 30W x 24D x 29H, White Frame	\$935
TT-ZF-6024.WH	Folding Training Table w/ Casters, Modesty Panel, 60W x 24D x 29H, White Frame	\$1,089
TT-ZF-7224.WH	Folding Training Table w/ Casters, Modesty Panel, 72W x 24D x 29H, White Frame	\$1,135
TT-ZF-CONNECT	Top Connector, Black	\$16

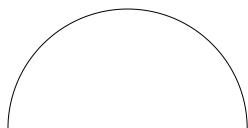
NOTE: Bases are only compatible w/ the tops below.

RECTANGULAR TRAINING TABLE TOPS

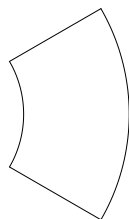
	SKU	DESCRIPTION	LIST
TOPS FOR 30x24 BASE	TT2430	24 x 30 Training Table Top (No hardware or base included)	\$385
	TT3030	30 x 30 Training Table Top (No hardware or base included)	\$469
TOPS FOR 60x24 BASE	TT2460	24 x 60 Training Table Top (No hardware or base included)	\$595
	TT3060	30 x 60 Training Table Top (No hardware or base included)	\$719
TOPS FOR 72x24 BASE	TT2472	24 x 72 Training Table Top (No hardware or base included)	\$715
	TT3072	30 x 72 Training Table Top (No hardware or base included)	\$889

SPECIALTY TRAINING TABLE TOPS

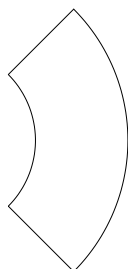
SKU	DESCRIPTION	LIST
TTHR2448	24" Half Round Training WS	\$505
TTC2448.60	24"- 60 DEG Crescent Training Table WS	\$595
TTC2468.90	24"- 90 DEG Crescent Training Table WS	\$935
TTT2448	24" x 48" Trapezoid Training Table WS	\$449
TTP2448	24" x 48" Presentation Table WS	\$645
TTQR24	24" Quarter Round Table WS	\$399



24" Half Round Training Top



24"- 60° Crescent Training Top



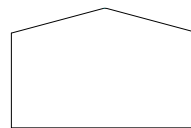
24"- 90° Crescent Training Top



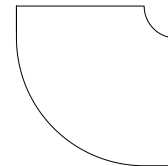
24" x 48" Trapezoid Training Top



24" Training Top



24" x 48" Presentation Table Top



24" Quarter Round Table Top

TABLE BASES



X-BASE (ANGLED FEET)

DESCRIPTION
An X-Base can be used to support 30"- 42" round or square table tops. Tops and bases sold separately.

SKU	DESCRIPTION	LIST
TB-X-R-2428	X Table 24"Base Height 29", Max 30R or 30x24	\$435
TB-X-R-2441	X Table 24"Base Height 42", Max 30R or 30x24	\$475
TB-X-R-3028	X Table 30"Base Height 29", Max 36R OR 36X36 Top	\$489
TB-X-R-3041	X Table 30"Base Height 42", Max 36R OR 36X36 Top	\$555
TB-X-R-3628	X Table 36" Base Height 29"H Max 42R OR 42X42 Top	\$719
TB-X-R-3641	X Table 36" Base Height 42'H Max 42R OR 42X42 Top	\$835



X-BASE (ROUNDED FEET)

DESCRIPTION
An X-Base can be used to support 24"- 60" round table tops. Tops and bases sold separately.

SKU	DESCRIPTION	LIST
XBASE24	X Base for 24" Round Table	\$739
XBASE30	X Base for 30" Round Table	\$895
XBASE36	X Base for 36" Round Table	\$1,189
XBASE48	X Base for 48" Round Table	\$1,285
XBASE60	X Base for 60" Round Table	\$1,309

SUPPORT LEGS



H-LEG

DESCRIPTION
H-Leg can support 24" and 30"D work surfaces. They are not handed.

SKU	DESCRIPTION	LIST
HLEG	H-Leg for 24" Work Surface	\$469
HLEG30	H-Leg for 30" Work Surface	\$565



H-LEG: SQUARE

DESCRIPTION
Square H-Leg can support 24 and 30"D work surfaces. They are not handed.

SKU	DESCRIPTION	LIST
HLEGS	New H-Leg for 24"D Surface	\$469
HLEG30S	New H-Leg for 30"D Surface	\$565



P-LEG

DESCRIPTION
P-Legs are handed left and right and can be used to support 24" and 30" depth work surfaces. However, all P-Legs must attach to a panel as they cannot be used for free standing support.

SKU	DESCRIPTION	LIST
PLEGL	P-Leg for 24"D Surface - Left	\$469
PLEGR	P-Leg for 24"D Surface - Right	\$469
PLEG30L	P-Leg for 30"D Surface- Left	\$565
PLEG30R	P-Leg for 30"D Surface- Right	\$565

NOTE: P-Leg must attach to a panel

SUPPORT LEGS



SQUARE-LEG

SKU	DESCRIPTION	LIST
SQLEG	2"W x 27.5"H Square Desk Leg	\$339



POST-LEG DESCRIPTION

R,CR Post Legs can be placed at the corners of work surfaces for freestanding support.

SKU	DESCRIPTION	LIST
R.CR	2" Post Leg	\$339



COLUMN LEG DESCRIPTION

4" Support Column legs can support table tops, corners, end of peninsulas and DTOPS.

SKU	DESCRIPTION	LIST
CS4	4" Column Support	\$349



ARC T-LEG DESCRIPTION

Used to support 24" and 30"D work surfaces. Use ATLEG for 24"D work surfaces and ATLEG30 for 30"D work surfaces.

SKU	DESCRIPTION	LIST
ATLEG	Arc T-Leg for 24" Work Surface	\$565
ATLEG30	Arc T-Leg for 30" Work Surface	\$629



WORK SURFACE SUPPORT PANEL DESCRIPTION

Attach to work surfaces with a bracket. Can be added to the exposed end of a work surface for extra support, privacy, aesthetics. 24"D surfaces use WSSP24 and 30"D surfaces use WSSP30.

SKU	DESCRIPTION	LIST
WSSP24	24" Work Surface Support Panel	\$459
WSSP30	30" Work Surface Support Panel	\$505

NOTE: Cannot be used on Wall Track.

MODESTY PANEL COMPATIBLE LEGS

NOTE: The table legs below are recommended to be used with metal modesty panels when used in a freestanding application. If used in addition to a panel system then a modesty panel is not required.



C-LEG

DESCRIPTION

C-Leg for 24"D table top of work surface. When facing the work surface the CLEGR will be on the right. C-Leg for 30"D table top or work surface. When facing the surface, the CLEG30R will be on the right.

SKU	DESCRIPTION	LIST
CLEGL	C-Leg (Left) for 24" WS - Accepts Modesty Panel	\$555
CLEG30L	C-Leg (Left) for 30" WS - Accepts Modesty Panel	\$565
CLEGR	C-Leg (Right) for 24" WS - Accepts Modesty Panel	\$555
CLEG30R	C-Leg (Right) for 30" WS - Accepts Modesty Panel	\$565



T-LEG

DESCRIPTION

T-Leg can support 24" and 30"D work surfaces.

SKU	DESCRIPTION	LIST
TLEG	T-Leg for 24" WS - Accepts Modesty Panel	\$529
TLEG30	T-Leg for 30" WS - Accepts Modesty Panel	\$595



CENTER LEG

DESCRIPTION

Center legs can be used for support when joining two table tops together or in the center of a long surface. They are not finished on either end and therefore not handed.

SKU	DESCRIPTION	LIST
CENLEG	Center Leg - Accepts Modesty Panel	\$555



H-LEG: SQUARE FOR MODESTY PANEL

SKU	DESCRIPTION	LIST
HLEGS-ML	Square H-LEG for 24"D Left - Accepts Modesty Panel	\$475
HLEGS-MR	Square H-LEG for 24"D Right - Accepts Modesty Panel	\$475



Shown w/ modesty panel

CORNER LEG

DESCRIPTION

Corner legs can be used in freestanding corner applications. Modesty Panels can be attached to corner legs.

SKU	DESCRIPTION	LIST
CRNRLEG	Corner Leg- Accepts Modesty Panel	\$459



Modesty panel shown with (2) HLEGS-ML/MR above.

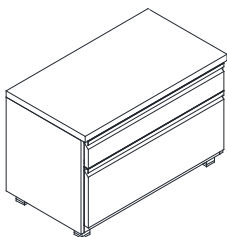
METAL MODESTY PANELS

DESCRIPTION

Metal modesty panels have a square embossed design.

SKU	DESCRIPTION	LIST
MODPNL36	26" Modesty Panel for 36" Work Surface	\$375
MODPNL42	32" Modesty Panel for 42" Work Surface	\$399
MODPNL48	38" Modesty Panel for 48" Work Surface	\$469
MODPNL48EXT	41.5" Ext Modesty Panel for 48" Surface	\$469
MODPNL60	50" Modesty Panel for 60" Work Surface	\$629
MODPNL60EXT	53" Ext Modesty Panel for 60" Surface	\$629
MODPNL66	56" Modesty Panel for 66" Work Surface	\$705
MODPNL72	62" Modesty Panel for 72" Work Surface	\$769
MODPNL72EXT	65" Ext Modesty Panel for 72" Surface	\$769
MODPNL84	74" Modesty Panel for 84" Work Surface	\$935
MODPNL96	86" Modesty Panel for 96" Work Surface	\$1,015

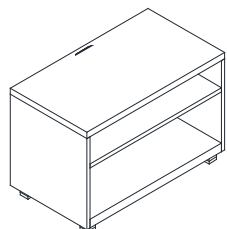
NOTE: Modesty Panels larger than 72" must be used with a minimum of 30"D surfaces and have a leg in the center for additional support.



LOW STORAGE TWO DRAWER

SKU	DESCRIPTION	LIST
DS-2D-30-FP-M	30"W x 20"D x 24"H Low Storage, Metal 2 Drawer, Full Pull	\$2,509
DS-2D-36-FP-M	36"W x 20"D x 24"H Low Storage, Metal 2 Drawer, Full Pull	\$2,819
DS-2D-42-FP-M	42"W x 20"D x 24"H Low Storage, Metal 2 Drawer, Full Pull	\$2,985

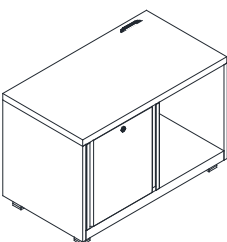
NOTE: Optional Seat Cushion and Laminate Top



LOW STORAGE OPEN SHELF

SKU	DESCRIPTION	LIST
DS-SH-30-M	30"W x 20"D x 24"H Low Storage, Metal Open Shelf	\$1,565
DS-SH-36-M	36"W x 20"D x 24"H Low Storage, Metal Open Shelf	\$1,725
DS-SH-42-M	42"W x 20"D x 24"H Low Storage, Metal Open Shelf	\$1,879

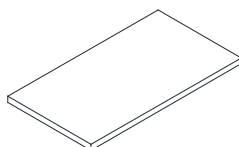
NOTE: Optional Seat Cushion and Laminate Top



LOW STORAGE SLIDING DOOR

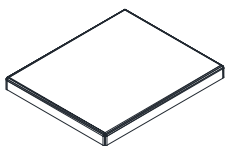
SKU	DESCRIPTION	LIST
DS-SD-30-M	30"W x 20"D x 24"H Low Storage, Metal Sliding Door	\$1,879
DS-SD-36-M	36"W x 20"D x 24"H Low Storage, Metal Sliding Door	\$2,039
DS-SD-42-M	42"W x 20"D x 24"H Low Storage, Metal Sliding Door	\$2,199

NOTE: Optional Seat Cushion and Laminate Top



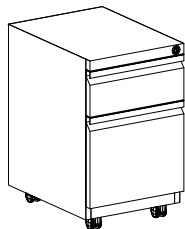
LAMINATE TOP FOR LOW STORAGE (OPTIONAL)

SKU	DESCRIPTION	LIST
TT2030	20"D x 30"W Laminate Top for Low Storage	\$375
TT2036	20"D x 36"W Laminate Top for Low Storage	\$399
TT2042	20"D x 42"W Laminate Top for Low Storage	\$439
TT2048	20"D x 48"W Laminate Top for Low Storage	\$469
TT2060	20"D x 60"W Laminate Top for Low Storage	\$575
TT2066	20"D x 66"W Laminate Top for Low Storage	\$619
TT2072	20"D x 72"W Laminate Top for Low Storage	\$699

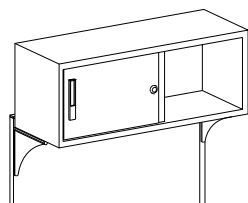
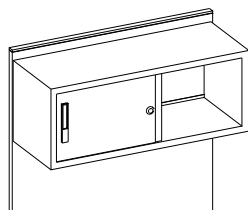
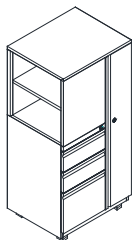


SEAT CUSHION FOR DESKING (OPTIONAL)

SKU	DESCRIPTION	LIST
DS-SC15	14.6"W Seat Cushion for Desking B/F Pedestal	\$189
DS-SC24	24"W Seat Cushion for Low Storage	\$189
DS-SC30	30"W Seat Cushion for Low Storage	\$275
DS-SC36	36"W Seat Cushion for Low Storage	\$325
DS-SC42	42"W Seat Cushion for Low Storage	\$375
DS-SC48	48"W Seat Cushion for Low Storage	\$435
DS-SC60	60"W Seat Cushion for Low Storage	\$545
DS-SC66	66"W Seat Cushion for Low Storage	\$575
DS-SC72	72"W Seat Cushion for Low Storage	\$629



Right
Shown



B/F PEDESTAL

SKU	DESCRIPTION	LIST
DS-BF-FP-M	14.6"W x 19.7"D Low Metal Box/File- Full Pull	\$1,249

STORAGE TOWER 51"H

SKU	DESCRIPTION	LIST
DS-ST242451L-M	24"W x 24"D x 51"H Metal Storage Tower- Left	\$4,005
DS-ST242451R-M	24"W x 24"D x 51"H Metal Storage Tower- Right	\$4,005

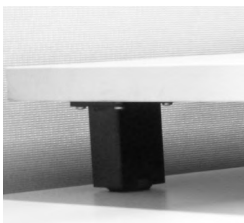
NOTE: 51"H Wardrobes are handed. Wardrobe side determines Left vs Right.

STORAGE CABINET (METAL W/ SLIDING DOOR)

SKU	DESCRIPTION	LIST
SDCAB24-MD	24"W x 14"D Metal Storage Cabinet w/Metal Sliding Door	\$675
SDCAB30-MD	30"W x 14"D Metal Storage Cabinet w/Metal Sliding Door	\$739
SDCAB36-MD	36"W x 14"D Metal Storage Cabinet w/Metal Sliding Door	\$809
SDCAB42-MD	42"W x 14"D Metal Storage Cabinet w/Metal Sliding Door	\$895
SDCAB48-MD	48"W x 14"D Metal Storage Cabinet w/Metal Sliding Door	\$989
SDCAB60-MD	60"W x 14"D Metal Storage Cabinet w/Metal Sliding Door	\$1,145
SDCAB24-FD	24"W x 14"D Metal Storage Cabinet w/Fabric Sliding Door	\$915
SDCAB30-FD	30"W x 14"D Metal Storage Cabinet w/Fabric Sliding Door	\$995
SDCAB36-FD	36"W x 14"D Metal Storage Cabinet w/Fabric Sliding Door	\$1,035
SDCAB42-FD	42"W x 14"D Metal Storage Cabinet w/Fabric Sliding Door	\$1,145
SDCAB48-FD	48"W x 14"D Metal Storage Cabinet w/Fabric Sliding Door	\$1,219
SDCAB60-FD	60"W x 14"D Metal Storage Cabinet w/Fabric Sliding Door	\$1,385

STORAGE CABINET (METAL W/ SLIDING DOOR- UPMOUNT)

SKU	DESCRIPTION	LIST
SDCAB24UM-MD	24"W x 14"D Upmount Metal Storage Cabinet w/Metal Sliding Door	\$905
SDCAB30UM-MD	30"W x 14"D Upmount Metal Storage Cabinet w/Metal Sliding Door	\$995
SDCAB36UM-MD	36"W x 14"D Upmount Metal Storage Cabinet w/Metal Sliding Door	\$1,065
SDCAB42UM-MD	42"W x 14"D Upmount Metal Storage Cabinet w/Metal Sliding Door	\$1,155
SDCAB48UM-MD	48"W x 14"D Upmount Metal Storage Cabinet w/Metal Sliding Door	\$1,275
SDCAB60UM-MD	60"W x 14"D Upmount Metal Storage Cabinet w/Metal Sliding Door	\$1,459
SDCAB24UM-FD	24"W x 14"D Upmount Metal Storage Cabinet w/Fabric Sliding Door	\$1,155
SDCAB30UM-FD	30"W x 14"D Upmount Metal Storage Cabinet w/Fabric Sliding Door	\$1,249
SDCAB36UM-FD	36"W x 14"D Upmount Metal Storage Cabinet w/Fabric Sliding Door	\$1,319
SDCAB42UM-FD	42"W x 14"D Upmount Metal Storage Cabinet w/Fabric Sliding Door	\$1,395
SDCAB48UM-FD	48"W x 14"D Upmount Metal Storage Cabinet w/Fabric Sliding Door	\$1,519
SDCAB60UM-FD	60"W x 14"D Upmount Metal Storage Cabinet w/Fabric Sliding Door	\$1,699



DOCKING LEG

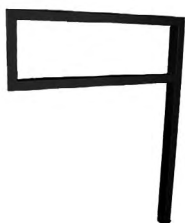
SKU	DESCRIPTION	LIST
DOCKLEG	3"H Docking Leg for Desking w/Adjustable Glide for Desking	\$75
DOCKLEG-E	4-1/4" Docking Leg- Extended for Desking w/Adjustable Glide	\$82

NOTE: If a laminate top is used on top of the low storage, a standard DOCKLEG is needed. If a laminate top is not used on top of the low storage, an extended docking leg is needed.



H-LEG (SQUARE)

SKU	DESCRIPTION	LIST
HLEGS	Square H-Leg for 24"D Surface	\$469
HLEG30S	Square H-Leg for 30"D Surface	\$565



P-LEG

SKU	DESCRIPTION	LIST
PLEGL	P-Leg for 24"D Surface - Left	\$469
PLEGR	P-Leg for 24"D Surface - Right	\$469
PLEG30L	P-Leg for 30"D Surface- Left	\$565
PLEG30R	P-Leg for 30"D Surface- Right	\$565

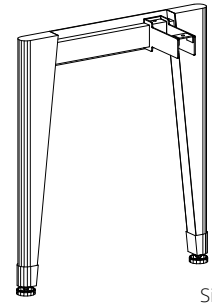


SQUARE LEG

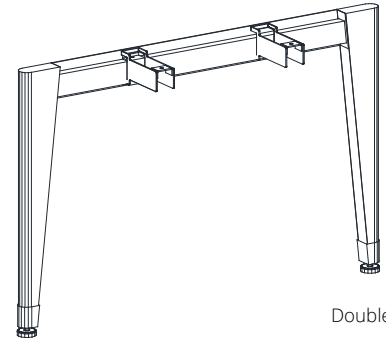
SKU	DESCRIPTION	LIST
SQLEG	2"W x 27.5"H Square Desk Leg	\$339

TAPERED LEGS - CAST ALUMINUM

	SKU	DESCRIPTION	LIST
SINGLE	XP-ELA24	Cast Alum End Leg Assembly Single 24"w	\$809
	XP-ELA30	Cast Alum End Leg Assembly Single 30"w	\$849
	XP-ELA36	Cast Alum End Leg Assembly Single 36"w	\$885
DOUBLE	XP-ELA48	Cast Alum End Leg Assembly Double 48"w	\$1,035
	XP-ELA60	Cast Alum End Leg Assembly Double 60"w	\$1,099



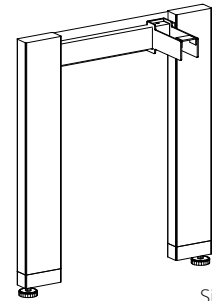
Single



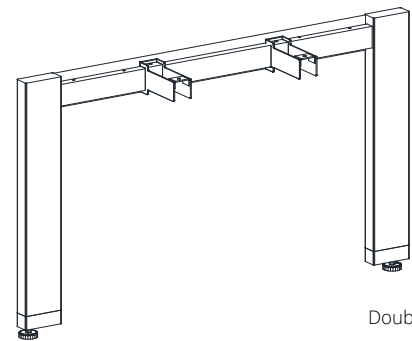
Double

RECTANGULAR LEGS - STEEL

	SKU	DESCRIPTION	LIST
SINGLE	XP-ELA24-R	Rectangular End Leg Assembly Single 24"w	\$809
	XP-ELA30-R	Rectangular End Leg Assembly Single 30"w	\$849
	XP-ELA36-R	Rectangular End Leg Assembly Single 36"w	\$885
DOUBLE	XP-ELA48-R	Rectangular End Leg Assembly Double 48"w	\$1,035
	XP-ELA60-R	Rectangular End Leg Assembly Double 60"w	\$1,099



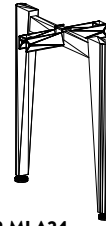
Single



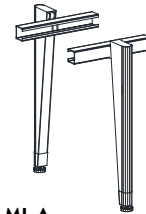
Double

CAST ALUMINUM LEG ASSEMBLIES

SKU	DESCRIPTION	LIST
XP-ML-A	Mid Leg Assembly- Double	\$719
XP-MLA24	Mid Leg Assembly- Single	\$719
XP-ML-A-RS	Mid Leg Assembly- Double - For use w/ Glass Return Screens	\$749
XP-MLA24-RS	Mid Leg Assembly- Single - For use w/ Glass Return Screens	\$749
XP-45-A	45° Leg Assembly	\$675
XP-120-I-O-A	120° - Inside-Outside Assembly	\$1,015
XP-120-I-A	120° - Inside Only Assembly	\$469
XP-BR-A	Beam Return Assembly	\$215
XP-MLB-A	Mid Leg L Assembly	\$235



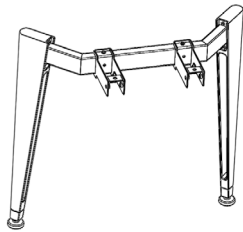
XP-MLA24
Mid Leg Assembly
(Single)



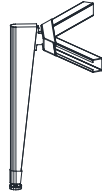
XP-ML-A
Mid Leg Assembly
(Double)

XP-ML-A-RS
Mid Leg Assembly
(For Use w/ Return Glass
Screens)

XP-MLA24-RS
Mid Leg Assembly
(For Use w/ Return Glass
Screens)



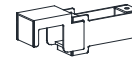
XP-45-A
45° Leg Assembly



XP-120-I-O-A
120° Inside-Outside Assembly



XP-120-I-A
120° Inside Only Assembly



XP-BR-A
Beam Return Assembly

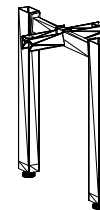


XP-MLB-A
Mid Leg L Assembly

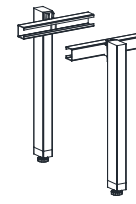
NOTE: The inside-only leg is designed for a double layout, while the inside-outside leg is intended for a single layout.

RECTANGULAR LEG ASSEMBLIES

SKU	DESCRIPTION	LIST
XP-ML-R-A	Rect Mid Leg Assembly- Double	\$719
XP-MLA24-R	Rect Mid Leg Assembly- Single	\$719
XP-ML-R-A-RS	Rect Mid Leg Assembly- Double - For use w/ Glass Return Screens	\$749
XP-MLA24-R-RS	Rect Mid Leg Assembly- Single - For use w/ Glass Return Screens	\$749
XP-45-R-A	Rect 45° Leg Assembly	\$675
XP-120-I-O-R-A	Rect 120°-Inside-Outside Assembly	\$1,015
XP-120-I-R-A	Rect 120°-Inside Only Assembly	\$469
XP-BR-A	Beam return assembly	\$215
XP-MLB-A	Mid leg L assembly	\$235



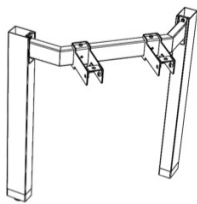
XP-ML-R-A
Rect Mid Leg Assembly
(Double)



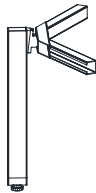
XP-MLA24-R
Rect Mid Leg Assembly
(Single)

XP-ML-R-A-RS
Rect Mid Leg Assembly
(For Use w/ Return Glass
Screens)

XP-MLA24-R-RS
Rect Mid Leg Assembly
(For Use w/ Return Glass
Screens)



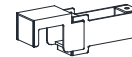
XP-45-R-A
Rect 45° Leg Assembly



XP-120-I-O-R-A
Rect 120° Inside-Outside Assembly



XP-120-I-R-A
Rect 120° Inside Only Assembly



XP-BR-A
Beam return assembly

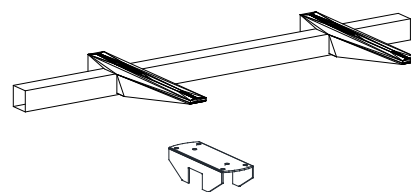


XP-MLB-A
Mid leg L assembly

NOTE: The inside-only leg is designed for a double layout, while the inside-outside leg is intended for a single layout.

SINGLE

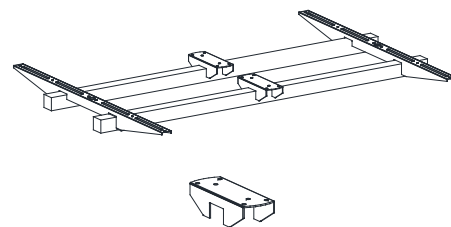
SKU	DESCRIPTION	LIST
XP-SB-SINGLE-36	36" w Single Stretcher bar	\$349
XP-SB-SINGLE-42	42" w Single Stretcher bar	\$375
XP-SB-SINGLE-48	48" w Single Stretcher bar	\$399
XP-SB-SINGLE-54	54" w Single Stretcher bar	\$419
XP-SB-SINGLE-60	60" w Single Stretcher bar	\$439
XP-SB-SINGLE-66	66" w Single Stretcher bar	\$449
XP-SB-SINGLE-72	72" w Single Stretcher bar	\$459
XP-SB-SINGLE-84	84" w Single Stretcher bar	\$489



NOTE: Single Stretcher bars come with two Work Surface support bars (XP-WSSB)

DOUBLE (FOR 24" D TOPS)

SKU	DESCRIPTION	LIST
XP-SB-SET-2436	Stretcher bar set 24" d x 36" w	\$809
XP-SB-SET-2442	Stretcher bar set 24" d x 42" w	\$875
XP-SB-SET-2448	Stretcher bar set 24" d x 48" w	\$935
XP-SB-SET-2454	Stretcher bar set 24" d x 54" w	\$1,065
XP-SB-SET-2460	Stretcher bar set 24" d x 60" w	\$1,189
XP-SB-SET-2466	Stretcher bar set 24" d x 66" w	\$1,199
XP-SB-SET-2472	Stretcher bar set 24" d x 72" w	\$1,209
XP-SB-SET-2484	Stretcher bar set 24" d x 84" w	\$1,319



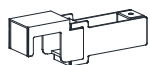
NOTE: 60"-84" come with two support brackets (XP-WSSB) (one on each stretcher bar)

DOUBLE (FOR 30" D TOPS)

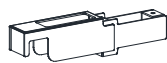
SKU	DESCRIPTION	LIST
XP-SB-SET-3036	Stretcher bar set 30" d x 36" w	\$949
XP-SB-SET-3042	Stretcher bar set 30" d x 42" w	\$1,005
XP-SB-SET-3048	Stretcher bar set 30" d x 48" w	\$1,089
XP-SB-SET-3054	Stretcher bar set 30" d x 54" w	\$1,199
XP-SB-SET-3060	Stretcher bar set 30" d x 60" w	\$1,329
XP-SB-SET-3066	Stretcher bar set 30" d x 66" w	\$1,339
XP-SB-SET-3072	Stretcher bar set 30" d x 72" w	\$1,349
XP-SB-SET-3084	Stretcher bar set 30" d x 84" w	\$1,459

RETURN BRACKETS

SKU	DESCRIPTION	LIST
XP-BR-A	Beam return assembly	\$215
XP-MLB-A	Mid leg L assembly	\$235
XP-WSSB	Work Surface Support Bracket	\$97



XP-BR-A
Use if the return connects along the stretcher bar



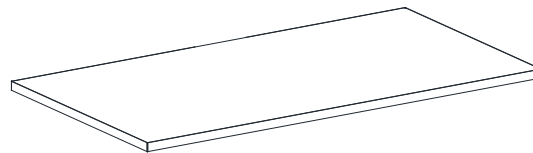
XP-MLB-A
Use if the return connects at the Mid-Leg



XP-WSSB
Use to join main and return surface together

RECTANGULAR TOP

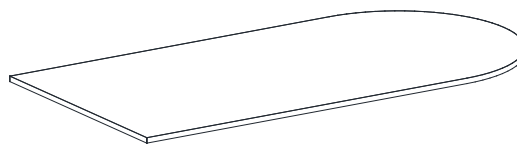
	SKU	DESCRIPTION	LIST
24"	XP-T2436	24 x 36 XPand Rectangular Top- No Grommet	\$435
	XP-T2442	24 x 42 XPand Rectangular Top- No Grommet	\$469
	XP-T2448	24 x 48 XPand Rectangular Top- No Grommet	\$489
	XP-T2454	24 x 54 XPand Rectangular Top- No Grommet	\$505
	XP-T2460	24 x 60 XPand Rectangular Top- No Grommet	\$505
	XP-T2466	24 x 66 XPand Rectangular Top- No Grommet	\$575
	XP-T2472	24 x 72 XPand Rectangular Top- No Grommet	\$645
	XP-T2484	24 x 84 XPand Rectangular Top- No Grommet	\$739
30"	XP-T3036	30 x 36 XPand Rectangular Top- No Grommet	\$505
	XP-T3042	30 x 42 XPand Rectangular Top- No Grommet	\$555
	XP-T3048	30 x 48 XPand Rectangular Top- No Grommet	\$595
	XP-T3054	30 x 54 XPand Rectangular Top- No Grommet	\$619
	XP-T3060	30 x 60 XPand Rectangular Top- No Grommet	\$655
	XP-T3066	30 x 66 XPand Rectangular Top- No Grommet	\$719
	XP-T3072	30 x 72 XPand Rectangular Top- No Grommet	\$809
	XP-T3084	30 x 84 XPand Rectangular Top- No Grommet	\$949
36"	XP-T3636	36 x 36 XPand Rectangular Top- No Grommet	\$655
	XP-T3642	36 x 42 XPand Rectangular Top- No Grommet	\$709
	XP-T3648	36 x 48 XPand Rectangular Top- No Grommet	\$739
	XP-T3660	36 x 60 XPand Rectangular Top- No Grommet	\$889
	XP-T3672	36 x 72 XPand Rectangular Top- No Grommet	\$1,099
	XP-T3684	36 x 84 XPand Rectangular Top- No Grommet	\$1,275



NOTE: Rectangular Table Tops can be used both as main surfaces and returns.

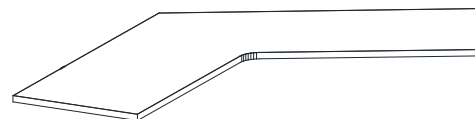
PENINSULA RETURN

	SKU	DESCRIPTION	LIST
24"	XP-PEN2436	24 x 36 XPand Peninsula (No Leg)	\$715
	XP-PEN2442	24 x 42 XPand Peninsula (No Leg)	\$835
	XP-PEN2448	24 x 48 XPand Peninsula (No Leg)	\$889
	XP-PEN2460	24 x 60 XPand Peninsula (No Leg)	\$965
30"	XP-PEN3036	30 x 36 XPand Peninsula (No Leg)	\$739
	XP-PEN3042	30 x 42 XPand Peninsula (No Leg)	\$875
	XP-PEN3048	30 x 48 XPand Peninsula (No Leg)	\$895
	XP-PEN3060	30 x 60 XPand Peninsula (No Leg)	\$975
36"	XP-PEN3636	36 x 36 XPand Peninsula (No Leg)	\$799
	XP-PEN3642	36 x 42 XPand Peninsula (No Leg)	\$895
	XP-PEN3648	36 x 48 XPand Peninsula (No Leg)	\$949
	XP-PEN3660	36 x 60 XPand Peninsula (No Leg)	\$1,179



120 °CORNER WITH 90° ENDS TOP - NO GROMMET

	SKU	DESCRIPTION	LIST
24"D	XP-CWS3636-120-90	36 x 36 x 24D XPand 120° Corner w/90° ends	\$1,089
	XP-CWS4242-120-90	42 x 42 x 24D XPand 120° Corner w/90° ends	\$1,209
	XP-CWS4848-120-90	48 x 48 x 24D XPand 120° Corner w/90° ends	\$1,285
	XP-CWS6060-120-90	60 x 60 x 24D XPand 120° Corner w/90° ends	\$1,615

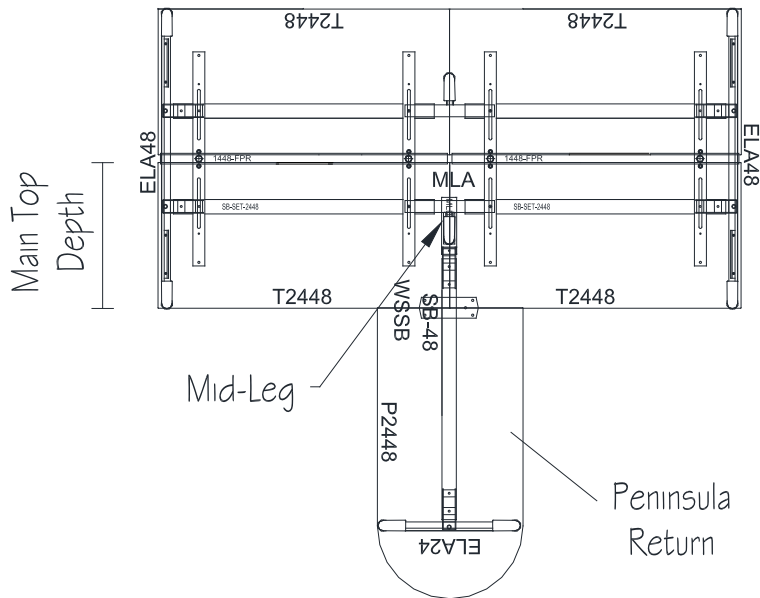


Match Peninsula/Rectangular Return SKU w/ main table top depth to see complete list of required components (**Parent SKU is in bold**).

CAST ALUMINUM LEG RETURN - MID LEG

	24x36 RETURN	24x42 RETURN	24x48 RETURN	24x60 RETURN
24" MAIN TOP DEPTH	XP-MLR-2436-24M	XP-MLR-2442-24M	XP-MLR-2448-24M	XP-MLR-2460-24M
	1 XP-MLR-A	1 XP-MLR-A	1 XP-MLR-A	1 XP-MLR-A
	2 XP-WSSB	2 XP-WSSB	2 XP-WSSB	2 XP-WSSB
	1 XP-ELA24	1 XP-ELA24	1 XP-ELA24	1 XP-ELA24
	1 XP-SB-36	1 XP-SB-42	1 XP-SB-48	1 XP-SB-60
	List Price \$1,395	List Price: \$1,419	List Price: \$1,459	List Price: \$1,495
30" MAIN TOP DEPTH	XP-MLR-2436-30M	XP-MLR-2442-30M	XP-MLR-2448-30M	XP-MLR-2460-30M
	1 XP-MLR-A	1 XP-MLR-A	1 XP-MLR-A	1 XP-MLR-A
	2 XP-WSSB	2 XP-WSSB	2 XP-WSSB	2 XP-WSSB
	1 XP-ELA24	1 XP-ELA24	1 XP-ELA24	1 XP-ELA24
	1 XP-SB-42	1 XP-SB-48	1 XP-SB-48	1 XP-SB-60
	List Price: \$1,419	List Price: \$1,459	List Price: \$1,459	List Price: \$1,495
36" MAIN TOP DEPTH	XP-MLR-2436-36M	XP-MLR-2442-36M	XP-MLR-2448-36M	XP-MLR-2460-36M
	1 XP-MLR-A	1 XP-MLR-A	1 XP-MLR-A	1 XP-MLR-A
	2 XP-WSSB	2 XP-WSSB	2 XP-WSSB	2 XP-WSSB
	1 XP-ELA24	1 XP-ELA24	1 XP-ELA24	1 XP-ELA24
	1 XP-SB-48	1 XP-SB-48	1 XP-SB-60	1 XP-SB-72
	List Price: \$1,459	List Price: \$1,459	List Price: \$1,495	List Price: \$1,495

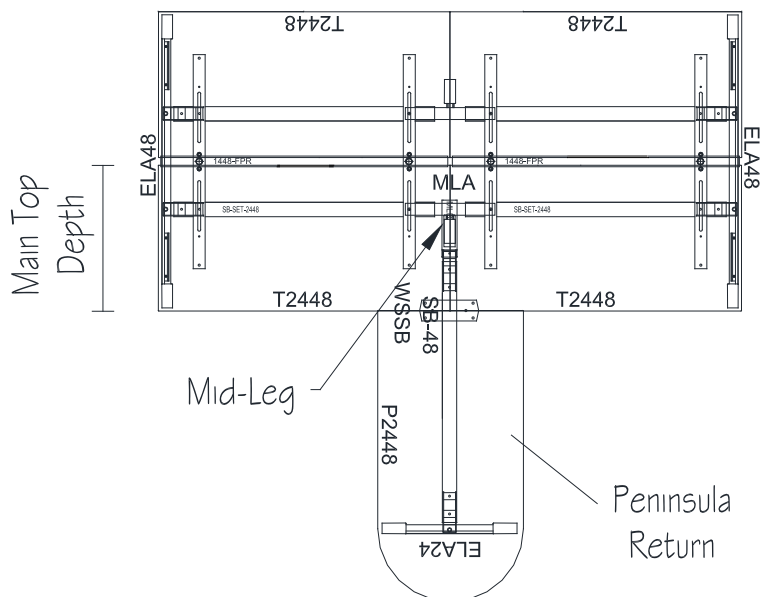
CAST ALUMINUM RETURN - MID LEG



RECTANGULAR LEG RETURN - MID LEG

	24x36 RETURN	24x42 RETURN	24x48 RETURN	24x60 RETURN
24" MAIN TOP DEPTH	XP-MLR-R-2436-24M	XP-MLR-R-2442-24M	XP-MLR-R-2448-24M	XP-MLR-R-2460-24M
	1 XP-MLR-A	1 XP-MLR-A	1 XP-MLR-A	1 XP-MLR-A
	2 XP-WSSB	2 XP-WSSB	2 XP-WSSB	2 XP-WSSB
	1 XP-ELA24-R	1 XP-ELA24-R	1 XP-ELA24-R	1 XP-ELA24-R
	1 XP-SB-36	1 XP-SB-42	1 XP-SB-48	1 XP-SB-60
	List Price \$1,395	List Price: \$1,419	List Price: \$1,459	List Price: \$1,495
30" MAIN TOP DEPTH	XP-MLR-R-2436-30M	XP-MLR-R-2442-30M	XP-MLR-R-2448-30M	XP-MLR-R-2460-30M
	1 XP-MLR-A	1 XP-MLR-A	1 XP-MLR-A	1 XP-MLR-A
	2 XP-WSSB	2 XP-WSSB	2 XP-WSSB	2 XP-WSSB
	1 XP-ELA24-R	1 XP-ELA24-R	1 XP-ELA24-R	1 XP-ELA24-R
	1 XP-SB-42	1 XP-SB-48	1 XP-SB-48	1 XP-SB-60
	List Price: \$1,419	List Price: \$1,459	List Price: \$1,459	List Price: \$1,495
36" MAIN TOP DEPTH	XP-MLR-R-2436-36M	XP-MLR-R-2442-36M	XP-MLR-R-2448-36M	XP-MLR-R-2460-36M
	1 XP-MLR-A	1 XP-MLR-A	1 XP-MLR-A	1 XP-MLR-A
	2 XP-WSSB	2 XP-WSSB	2 XP-WSSB	2 XP-WSSB
	1 XP-ELA24-R	1 XP-ELA24-R	1 XP-ELA24-R	1 XP-ELA24-R
	1 XP-SB-48	1 XP-SB-48	1 XP-SB-60	1 XP-SB-72
	List Price: \$1,459	List Price: \$1,459	List Price: \$1,495	List Price: \$1,495

RECTANGULAR LEG RETURN - MID LEG



Match Peninsula/Rectangular Return SKU w/ main table top depth to see complete list of required components (**Parent SKU is in bold**).

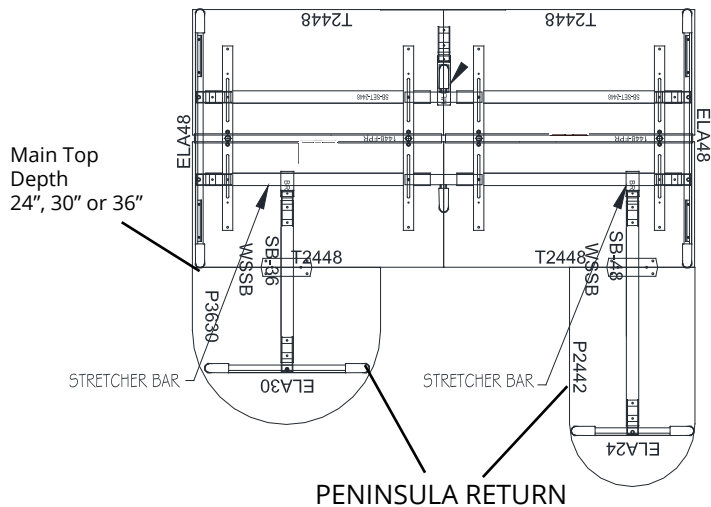
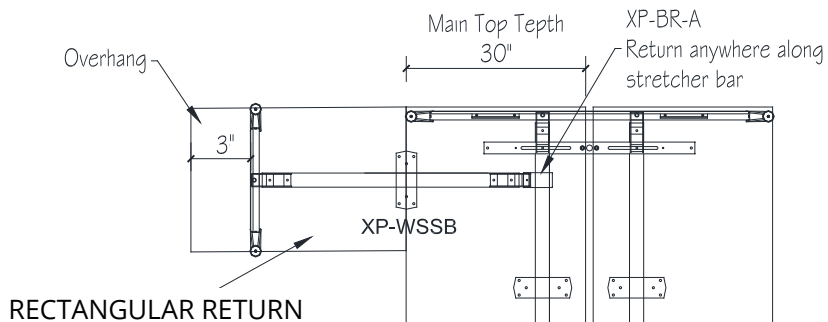
CAST ALUMINUM RETURN- STRETCHER BAR

	24x36 RETURN	24x42 RETURN	24x48 RETURN	24x60 RETURN
24" MAIN TOP DEPTH	XP-SBR-2436-24M	XP-SBR-2442-24M	XP-SBR-2448-24M	XP-SBR-2460-24M
	1 XP-BR-A	1 XP-BR-A	1 XP-BR-A	1 XP-BR-A
	2 XP-WSSB	2 XP-WSSB	2 XP-WSSB	2 XP-WSSB
	1 XP-ELA24	1 XP-ELA24	1 XP-ELA24	1 XP-ELA24
	1 XP-SB-36	1 XP-SB-42	1 XP-SB-48	1 XP-SB-60
List Price: \$1,359	List Price: \$1,395	List Price: \$1,429	List Price: \$1,469	
30" MAIN TOP DEPTH	XP-SBR-2436-30M	XP-SBR-2442-30M	XP-SBR-2448-30M	XP-SBR-2460-30M
	1 XP-BR-A	1 XP-BR-A	1 XP-BR-A	1 XP-BR-A
	2 XP-WSSB	2 XP-WSSB	2 XP-WSSB	2 XP-WSSB
	1 XP-ELA24	1 XP-ELA24	1 XP-ELA24	1 XP-ELA24
	1 XP-SB-42	1 XP-SB-48	1 XP-SB-60	1 XP-SB-60
List Price: \$1,395	List Price: \$1,429	List Price: \$1,469	List Price: \$1,469	
36" MAIN TOP DEPTH	XP-SBR-2436-36M	XP-SBR-2442-36M	XP-SBR-2448-36M	XP-SBR-2460-36M
	1 XP-BR-A	1 XP-BR-A	1 XP-BR-A	1 XP-BR-A
	2 XP-WSSB	2 XP-WSSB	2 XP-WSSB	2 XP-WSSB
	1 XP-ELA24	1 XP-ELA24	1 XP-ELA24	1 XP-ELA24
	1 XP-SB-48	1 XP-SB-60	1 XP-SB-60	1 XP-SB-72
List Price: \$1,429	List Price: \$1,469	List Price: \$1,469	List Price: \$1,479	

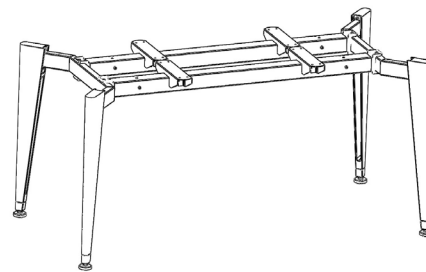
RECTANGULAR LEG RETURN- STRETCHER BAR

	24x36 RETURN	24x42 RETURN	24x48 RETURN	24x60 RETURN
24" MAIN TOP DEPTH	XP-SBR-R-2436-24M	XP-SBR-R-2442-24M	XP-SBR-R-2448-24M	XP-SBR-R-2460-24M
	1 XP-BR-A	1 XP-BR-A	1 XP-BR-A	1 XP-BR-A
	2 XP-WSSB	2 XP-WSSB	2 XP-WSSB	2 XP-WSSB
	1 XP-ELA24-R	1 XP-ELA24-R	1 XP-ELA24-R	1 XP-ELA24-R
	1 XP-SB-36	1 XP-SB-42	1 XP-SB-48	1 XP-SB-60
List Price: \$1,359	List Price: \$1,395	List Price: \$1,429	List Price: \$1,469	
30" MAIN TOP DEPTH	XP-SBR-R-2436-30M	XP-SBR-R-2442-30M	XP-SBR-R-2448-30M	XP-SBR-R-2460-30M
	1 XP-BR-A	1 XP-BR-A	1 XP-BR-A	1 XP-BR-A
	2 XP-WSSB	2 XP-WSSB	2 XP-WSSB	2 XP-WSSB
	1 XP-ELA24-R	1 XP-ELA24-R	1 XP-ELA24-R	1 XP-ELA24-R
	1 XP-SB-42	1 XP-SB-48	1 XP-SB-60	1 XP-SB-60
List Price: \$1,395	List Price: \$1,429	List Price: \$1,469	List Price: \$1,469	
36" MAIN TOP DEPTH	XP-SBR-R-2436-36M	XP-SBR-R-2442-36M	XP-SBR-R-2448-36M	XP-SBR-R-2460-36M
	1 XP-BR-A	1 XP-BR-A	1 XP-BR-A	1 XP-BR-A
	2 XP-WSSB	2 XP-WSSB	2 XP-WSSB	2 XP-WSSB
	1 XP-ELA24-R	1 XP-ELA24-R	1 XP-ELA24-R	1 XP-ELA24-R
	1 XP-SB-48	1 XP-SB-60	1 XP-SB-60	1 XP-SB-72
List Price: \$1,429	List Price: \$1,469	List Price: \$1,469	List Price: \$1,479	

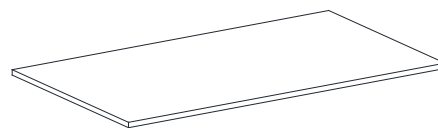
STRETCHER BAR RETURN



Main Top: 30"D



NOTE: XP-WSSB quantity changes with stretch bar size.



CONFERENCE TABLE BASES (CAST ALUMINUM)

SKU	DESCRIPTION	LIST
XP-BASE-60	45 Table Base for 60" top (top sold sep)	\$2,995
XP-BASE-72	45 Table Base for 72" top (top sold sep)	\$3,059
XP-BASE-84	45 Table Base for 84" top (top sold sep)	\$3,059
XP-BASE-96	45 Table Base for 96" top (top sold sep)	\$3,085

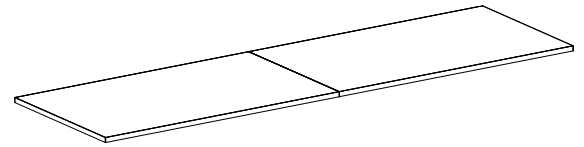
RECTANGULAR CONFERENCE

SKU	DESCRIPTION	LIST	
36"D	XP-RTC3660	36 x 60 XPand Rectangular Conference Table Top	\$999
	XP-RTC3672	36 x 72 XPand Rectangular Conference Table Top	\$1,199
	XP-RTC3684	36 x 84 XPand Rectangular Conference Table Top	\$1,395
	XP-RTC3696	36 x 96 XPand Rectangular Conference Table Top	\$1,595
42"D	XP-RTC4260	42 x 60 XPand Rectangular Conference Table Top	\$1,099
	XP-RTC4272	42 x 72 XPand Rectangular Conference Table Top	\$1,295
	XP-RTC4284	42 x 84 XPand Rectangular Conference Table Top	\$1,579
	XP-RTC4296	42 x 96 XPand Rectangular Conference Table Top	\$1,615
48"D	XP-RTC4860	48 x 60 XPand Rectangular Conference Table Top	\$1,199
	XP-RTC4872	48 x 72 XPand Rectangular Conference Table Top	\$1,395
	XP-RTC4884	48 x 84 XPand Rectangular Conference Table Top	\$1,505
	XP-RTC4896	48 x 96 XPand Rectangular Conference Table Top	\$1,615

NOTE: No hardware or base included.

RECTANGULAR CONFERENCE (2 PIECES)

	SKU	DESCRIPTION	LIST
36"D	XP-RTC36120	36 x 120 XPand Rectangular Conference Table Top	\$1,999
	XP-RTC36144	36 x 144 XPand Rectangular Conference Table Top	\$2,399
	XP-RTC36168	36 x 168 XPand Rectangular Conference Table Top	\$2,789
	XP-RTC36192	36 x 192 XPand Rectangular Conference Table Top	\$3,189
42"D	XP-RTC42120	42 x 120 XPand Rectangular Conference Table Top	\$2,195
	XP-RTC42144	42 x 144 XPand Rectangular Conference Table Top	\$2,589
	XP-RTC42168	42 x 168 XPand Rectangular Conference Table Top	\$3,169
	XP-RTC42192	42 x 192 XPand Rectangular Conference Table Top	\$3,225
48"D	XP-RTC48120	48 x 120 XPand Rectangular Conference Table Top	\$2,399
	XP-RTC48144	48 x 144 XPand Rectangular Conference Table Top	\$2,789
	XP-RTC48168	48 x 168 XPand Rectangular Conference Table Top	\$3,025
	XP-RTC48192	48 x 192 XPand Rectangular Conference Table Top	\$3,225



NOTE: No hardware or base included. 2-Piece Tops do not have edge banding in the center. They include biscuits.

RACETRACK CONFERENCE TOP

	SKU	DESCRIPTION	LIST
36"D	XP-RTSC3660	36 x 60 XPand Racetrack Conference Table Top	\$1,015
	XP-RTSC3672	36 x 72 XPand Racetrack Conference Table Top	\$1,319
	XP-RTSC3684	36 x 84 XPand Racetrack Conference Table Top	\$1,489
	XP-RTSC3696	36 x 96 XPand Racetrack Conference Table Top	\$1,715
42"D	XP-RTSC4260	42 x 60 XPand Racetrack Conference Table Top	\$1,135
	XP-RTSC4272	42 x 72 XPand Racetrack Conference Table Top	\$1,555
	XP-RTSC4284	42 x 84 XPand Racetrack Conference Table Top	\$1,715
	XP-RTSC4296	42 x 96 XPand Racetrack Conference Table Top	\$1,765
48"D	XP-RTSC4860	48 x 60 XPand Racetrack Conference Table Top	\$1,219
	XP-RTSC4872	48 x 72 XPand Racetrack Conference Table Top	\$1,535
	XP-RTSC4884	48 x 84 XPand Racetrack Conference Table Top	\$1,649
	XP-RTSC4896	48 x 96 XPand Racetrack Conference Table Top	\$1,779



NOTE: No hardware or base included.

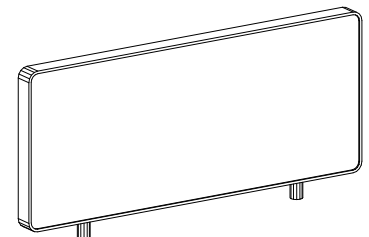
SCALLOP CUT

	SKU	DESCRIPTION	LIST
	SRCUT	Scallop Cut in Surface	\$65
	GRCUT	Grommet Cut in Surface	\$65



FABRIC SCREENS

	SKU	DESCRIPTION	LIST
ROUND EDGES	STANDARD		
	XP-1436-TR-A	15x36 fabric screen rounded edges	\$935
	XP-1442-TR-A	15x42 fabric screen rounded edges	\$965
	XP-1448-TR-A	15x48 fabric screen rounded edges	\$999
	XP-1454-TR-A	15x54 fabric screen rounded edges	\$1,155
	XP-1460-TR-A	15x60 fabric screen rounded edges	\$1,319
	XP-1466-TR-A	15x66 fabric screen rounded edges	\$1,359
	XP-1472-TR-A	15x72 fabric screen rounded edges	\$1,395



SQUARE EDGES

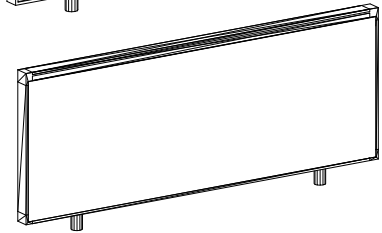
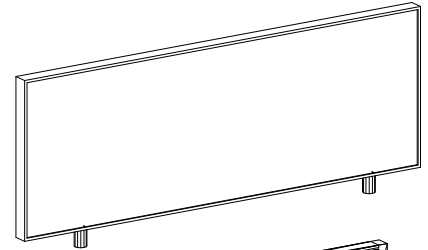
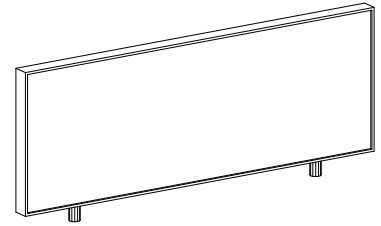
XP-1436-TS-A	15x36 fabric screen square edges	\$935
XP-1442-TS-A	15x42 fabric screen square edges	\$965
XP-1448-TS-A	15x48 fabric screen square edges	\$999
XP-1454-TS-A	15x54 fabric screen square edges	\$1,155
XP-1460-TS-A	15x60 fabric screen square edges	\$1,319
XP-1466-TS-A	15x66 fabric screen square edges	\$1,359
XP-1472-TS-A	15x72 fabric screen square edges	\$1,395

THIN

XP-1436-TS-A-T	15x36 thin fabric screen square edges	\$935
XP-1442-TS-A-T	15x42 thin fabric screen square edges	\$965
XP-1448-TS-A-T	15x48 thin fabric screen square edges	\$999
XP-1454-TS-A-T	15x54 thin fabric screen square edges	\$1,155
XP-1460-TS-A-T	15x60 thin fabric screen square edges	\$1,319
XP-1466-TS-A-T	15x66 thin fabric screen square edges	\$1,359
XP-1472-TS-A-T	15x72 thin fabric screen square edges	\$1,395

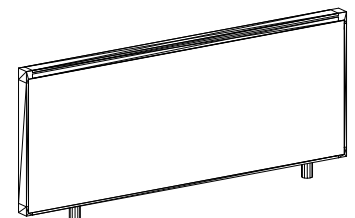
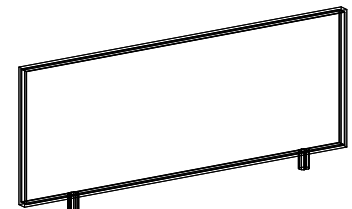
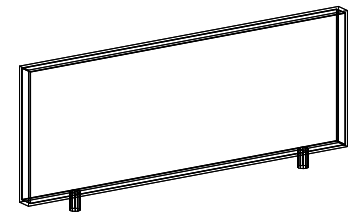
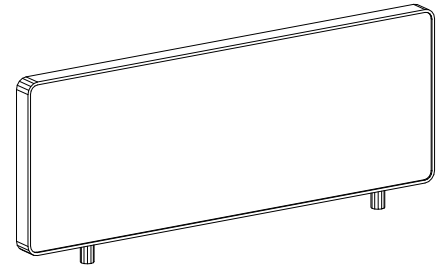
THIN WITH PAPER MANAGEMENT

XP-1436-TS-A-TPM	15x36 thin fabric screen square edges w/paper man.	\$935
XP-1442-TS-A-TPM	15x42 thin fabric screen square edges w/paper man.	\$965
XP-1448-TS-A-TPM	15x48 thin fabric screen square edges w/paper man.	\$999
XP-1454-TS-A-TPM	15x54 thin fabric screen square edges w/paper man.	\$1,155
XP-1460-TS-A-TPM	15x60 thin fabric screen square edges w/paper man.	\$1,319
XP-1466-TS-A-TPM	15x66 thin fabric screen square edges w/paper man.	\$1,359
XP-1472-TS-A-TPM	15x72 thin fabric screen square edges w/paper man.	\$1,395



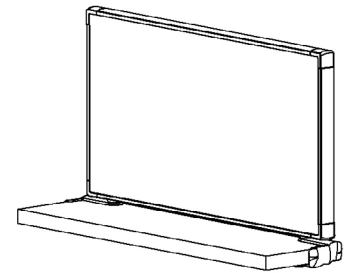
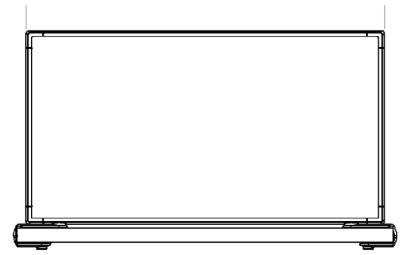
FABRIC SCREENS (NEXT TO POWER POLE - 2" SHORTER)

	SKU	DESCRIPTION	LIST
ROUND EDGES	STANDARD		
	XP-1434-TR-CP-A	15x34 fabric screen rounded edges	\$935
	XP-1440-TR-CP-A	15x40 fabric screen rounded edges	\$965
	XP-1446-TR-CP-A	15x46 fabric screen rounded edges	\$999
	XP-1452-TR-CP-A	15x52 fabric screen rounded edges	\$1,155
	XP-1458-TR-CP-A	15x58 fabric screen rounded edges	\$1,319
	XP-1464-TR-CP-A	15x64 fabric screen rounded edges	\$1,359
	XP-1470-TR-CP-A	15x70 fabric screen rounded edges	\$1,395
SQUARE EDGES	XP-1434-TS-CP-A	15x34 fabric screen square edges	\$935
	XP-1440-TS-CP-A	15x40 fabric screen square edges	\$965
	XP-1446-TS-CP-A	15x46 fabric screen square edges	\$999
	XP-1452-TS-CP-A	15x52 fabric screen square edges	\$1,155
	XP-1458-TS-CP-A	15x58 fabric screen square edges	\$1,319
	XP-1464-TS-CP-A	15x64 fabric screen square edges	\$1,359
	XP-1470-TS-CP-A	15x70 fabric screen square edges	\$1,395
	SQUARE EDGES	THIN	
XP-1434-TS-CP-A-T		15x34 thin fabric screen square edges	\$935
XP-1440-TS-CP-A-T		15x40 thin fabric screen square edges	\$965
XP-1446-TS-CP-A-T		15x46 thin fabric screen square edges	\$999
XP-1452-TS-CP-A-T		15x52 thin fabric screen square edges	\$1,155
XP-1458-TS-CP-A-T		15x58 thin fabric screen square edges	\$1,319
XP-1464-TS-CP-A-T		15x64 thin fabric screen square edges	\$1,359
XP-1470-TS-CP-A-T		15x70 thin fabric screen square edges	\$1,395
SQUARE EDGES	THIN WITH PAPER MANAGEMENT		
	XP-1434-TS-CP-A-TPM	15x34 thin glass screen square edges w/paper man.	\$935
	XP-1440-TS-CP-A-TPM	15x40 thin glass screen square edges w/paper man.	\$965
	XP-1446-TS-CP-A-TPM	15x46 thin glass screen square edges w/paper man.	\$999
	XP-1452-TS-CP-A-TPM	15x64 thin glass screen square edges w/paper man.	\$1,155
	XP-1458-TS-CP-A-TPM	15x58 thin glass screen square edges w/paper man.	\$1,319
	XP-1464-TS-CP-A-TPM	15x64 thin glass screen square edges w/paper man.	\$1,359
	XP-1470-TS-CP-A-TPM	15x70 thin glass screen square edges w/paper man.	\$1,395



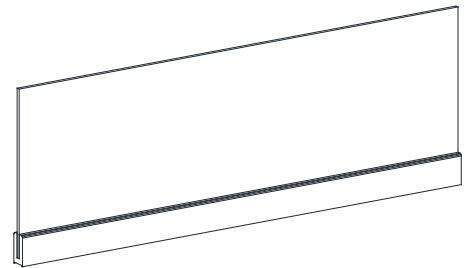
FABRIC RETURN SCREENS

	SKU	DESCRIPTION	LIST
	STANDARD		
ROUND EDGES	XP-1424-TR-RA	15x24 fabric return screen rounded	\$875
	XP-1430-TR-RA	15x30 fabric return screen rounded	\$915
	XP-1436-TR-RA	15x36 fabric return screen rounded	\$975
	STANDARD		
SQUARE EDGES	XP-1424-TS-RA	15x24 fabric return screen square	\$875
	XP-1430-TS-RA	15x30 fabric return screen square	\$915
	XP-1436-TS-RA	15x36 fabric return screen square	\$975
	THIN		
	XP-1424-TS-RA-T	15x24 thin fabric return screen square	\$875
	XP-1430-TS-RA-T	15x30 thin fabric return screen square	\$915
	XP-1436-TS-RA-T	15x36 thin fabric return screen square	\$975
	THIN WITH PAPER MANAGEMENT		
	XP-1424-TS-RA-TPM	15x24 thin fabric return screen square w/ paper mgmt	\$875
	XP-1430-TS-RA-TPM	15x30 thin fabric return screen square w/ paper mgmt	\$915
	XP-1436-TS-RA-TPM	15x36 thin fabric return screen square w/ paper mgmt	\$975



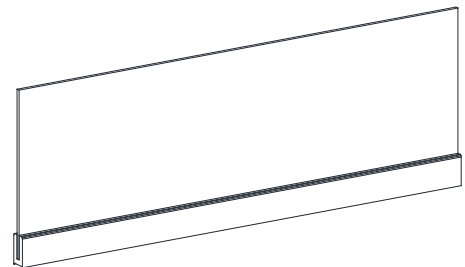
CLEAR & FROSTED GLASS SCREENS

	SKU	DESCRIPTION	LIST
CLEAR	XP-G-1436-A	14x36 clear glass screen	\$645
	XP-G-1442-A	14x42 clear glass screen	\$675
	XP-G-1448-A	14x48 clear glass screen	\$729
	XP-G-1460-A	14x60 clear glass screen	\$889
	XP-G-1466-A	14x66 clear glass screen	\$905
	XP-G-1472-A	14x72 clear glass screen	\$1,025
FROSTED	XP-FG-1436-A	14x36 frosted glass screen	\$655
	XP-FG-1442-A	14x42 frosted glass screen	\$689
	XP-FG-1448-A	14x48 frosted glass screen	\$749
	XP-FG-1460-A	14x60 frosted glass screen	\$915
	XP-FG-1466-A	14x66 frosted glass screen	\$925
	XP-FG-1472-A	14x72 frosted glass screen	\$995



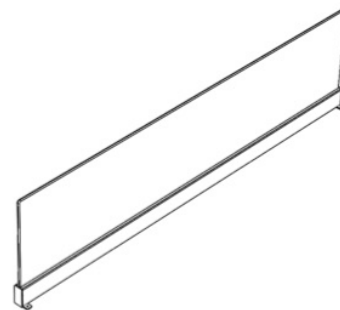
CLEAR & FROSTED GLASS SCREENS (NEXT TO POWER POLE - 2" SHORTER)

	SKU	DESCRIPTION	LIST
CLEAR	XP-G-1434-CP-A	14x34 clear glass screen	\$645
	XP-G-1440-CP-A	14x40 clear glass screen	\$675
	XP-G-1446-CP-A	14x46 clear glass screen	\$729
	XP-G-1458-CP-A	14x58 clear glass screen	\$889
	XP-G-1470-CP-A	14x70 clear glass screen	\$1,025
FROSTED	XP-FG-1434-CP-A	14x34 frosted glass screen	\$655
	XP-FG-1440-CP-A	14x40 frosted glass screen	\$689
	XP-FG-1446-CP-A	14x46 frosted glass screen	\$749
	XP-FG-1458-CP-A	14x58 frosted glass screen	\$915
	XP-FG-1470-CP-A	14x70 frosted glass screen	\$995



GLASS RETURN SCREENS

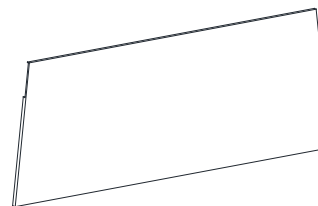
	SKU	DESCRIPTION	LIST
CLEAR GLASS	XP-G-1424-R	14x24 clear glass return screen assembly	\$489
	XP-G-1430-R	14x30 clear glass return screen assembly	\$555
	XP-G-1436-R	14x36 clear glass return screen assembly	\$645
	XP-G-1424-RE	14x24 clear glass return end screen assembly	\$489
	XP-G-1430-RE	14x30 clear glass return end screen assembly	\$555
	XP-G-1436-RE	14x36 clear glass return end screen assembly	\$645
FROSTED GLASS	XP-FG-1424-R	14x24 frosted glass return screen assembly	\$525
	XP-FG-1430-R	14x30 frosted glass return screen assembly	\$565
	XP-FG-1436-R	14x36 frosted glass return screen assembly	\$655
	XP-FG-1424-RE	14x24 frosted glass return end screen assembly	\$525
	XP-FG-1430-RE	14x30 frosted glass return end screen assembly	\$565
	XP-FG-1436-RE	14x36 frosted glass return end screen assembly	\$655



MODESTY PANELS

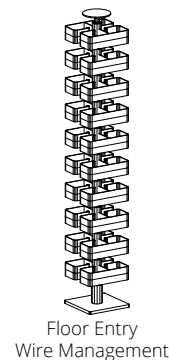
SKU	DESCRIPTION	LIST
XP-MOD-48	Modesty panel for 48" leg assembly	\$385
XP-MOD-60	Modesty panel for 60" leg assembly	\$469

NOTE: To be used only with the tapered legs.
Only used on end leg assembly.



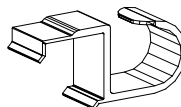
FLOOR ENTRY WIRE MANAGEMENT

SKU	DESCRIPTION	LIST
XP-CM-24	Floor Entry Wire Management Kit - Benching	\$235



CABLE CLIP

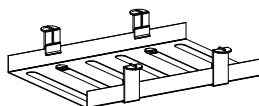
SKU	DESCRIPTION	LIST
XP-CHC	Cable Holder Clip	\$21



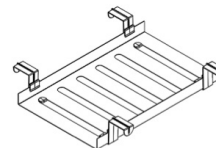
Cable Holder Clip

CABLE TRAYS

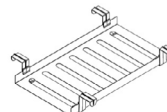
SKU	DESCRIPTION	LIST
XP-CTA-18	Cable Tray 18" w/clips	\$115
XP-CTA-24	Cable Tray 24" w/clips	\$129
XP-CTA-30	Cable tray 30" w/clips	\$159
XP-CT-SB-48	Cable Tray for Single XPand Bench 48"	\$199
XP-CT-SB-60	Cable Tray for Single XPand Bench 60"	\$275
XP-CT-SB-72	Cable Tray for Single XPand Bench 72"	\$325



18" Cable Trav



24" Cable Tray



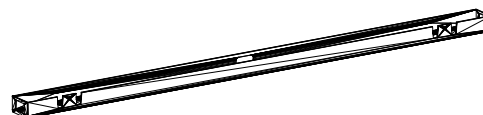
30" Cable Tray



48" Cable Tray for Single XPand



60" Cable Tray for Single XPand

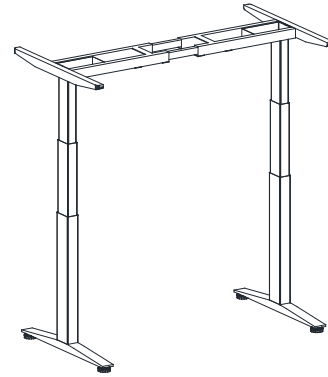


72" Cable Tray for Single XPand

SINGLE TABLE UNITS

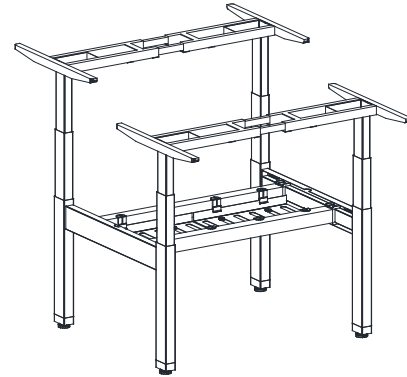
SKU	DESCRIPTION	LIST
XP-E-TABLE48-3S	48" Single 3 Stage Assembly	\$3,369
XP-E-TABLE60-3S	60" Single 3 Stage Assembly	\$3,369
XP-E-TABLE72-3S	72" Single 3 Stage Assembly	\$3,369

NOTE: One Size table adjusts from 48-72".

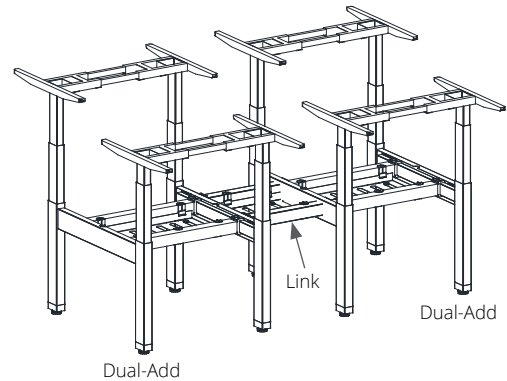
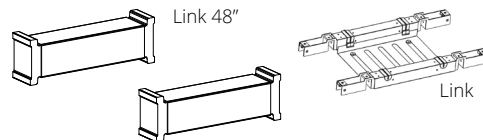


DUAL TABLE UNITS

SKU	DESCRIPTION	LIST
XP-E-TABLE-DUAL-48	2 Table Units 48" Wide	\$9,075
XP-E-TABLE-DUAL-60	2 Table Units 60" Wide	\$9,285
XP-E-TABLE-DUAL-66	2 Table Units 66" Wide	\$9,505
XP-E-TABLE-DUAL-72	2 Table Units 72" Wide	\$9,505

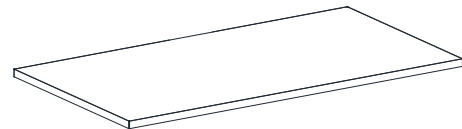


SKU	DESCRIPTION	LIST
XP-E-TABLE-DUAL-48-ADD	2 Table Units 48" Wide - Add on unit	\$8,999
XP-E-TABLE-DUAL-60-ADD	2 Table Units 60" Wide - Add on unit	\$9,215
XP-E-TABLE-DUAL-66-ADD	2 Table Units 66" Wide - Add on unit	\$9,505
XP-E-TABLE-DUAL-72-ADD	2 Table Units 72" Wide - Add on unit	\$9,505
XP-E-TABLE-LINK	Link to be used between add ons	\$435
XP-E-TABLE-LINK-48	Link to be used between 48" add ons	\$435



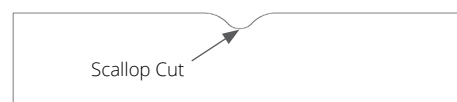
RECTANGULAR TOPS

SKU	DESCRIPTION	LIST
30" XP-HA-T3048	30 x 46.875 XPand Rectangular Top- No Grommet	\$595
XP-HA-T3060	30 x 58.875 XPand Rectangular Top- No Grommet	\$655
XP-HA-T3072	30 x 70.875 XPand Rectangular Top- No Grommet	\$809
36" XP-HA-T3648	36 x 46.875 XPand Rectangular Top- No Grommet	\$739
XP-HA-T3660	36 x 58.875 XPand Rectangular Top- No Grommet	\$889
XP-HA-T3672	36 x 70.875 XPand Rectangular Top- No Grommet	\$1,099



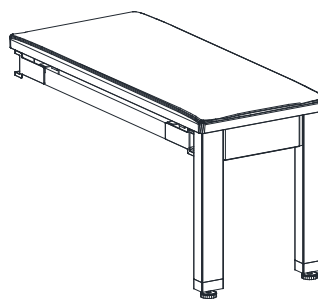
SCALLOP CUT FOR TABLE TOPS

SKU	DESCRIPTION	LIST
SRCUT	Scallop Cut in Surface	\$65
GRCUT	Grommet Cut in Surface	\$65



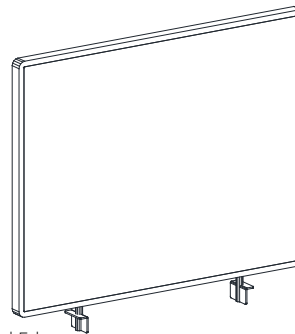
BENCH SEAT

SKU	DESCRIPTION	LIST
XP-HA-BENCH-SEAT	Bench Seat	\$469
XP-HA-BENCH-SC	Bench Seat Cushion	\$339

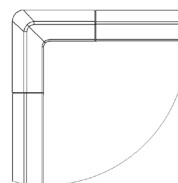


FABRIC SCREENS

	SKU	DESCRIPTION	LIST
Round	XP-3548-TR-A	38" x 48" Fabric Screen Round Corners	\$1,109
	XP-3560-TR-A	38" x 60" Fabric Screen Round Corners	\$1,155
	XP-3572-TR-A	38" x 72" Fabric Screen Round Corners	\$1,209
Square	XP-3548-TS-A	38" x 48" Fabric Screen Square Corners	\$1,109
	XP-3560-TS-A	38" x 60" Fabric Screen Square Corners	\$1,155
	XP-3572-TS-A	38" x 72" Fabric Screen Square Corners	\$1,209



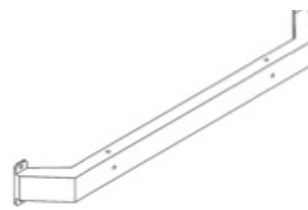
Round Edge



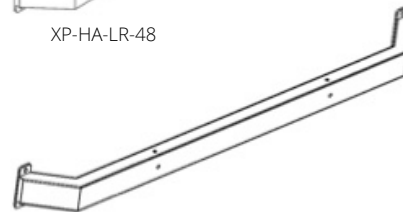
Square Edge

45 DEGREE LEG RAILS (MANAGERS STATION)

SKU	DESCRIPTION	LIST
XP-HA-LR-48	48" Leg rail - Managers Station	\$195
XP-HA-LR-60	60" Leg rail - Managers Station	\$235



XP-HA-LR-48



XP-HA-LR-60

XP-HA

ACCESSORY RAIL

SKU	DESCRIPTION	LIST
XP-ACC-RAIL-H-S	Screen Accessory Rail for Standard Fabric Screens - Single Hanger	\$119
XP-ACC-RAIL-H-D	Screen Accessory Rail for Standard Fabric Screens - Double Hanger	\$119
XP-ACC-RAIL-H-S-T	Screen Accessory Rail for Thin Fabric Screens - Single Hanger	\$119
XP-ACC-RAIL-H-D-T	Screen Accessory Rail for Thin Fabric Screens - Double Hanger	\$119



Standard Accessory Rail Single



Standard Accessory Rail Double



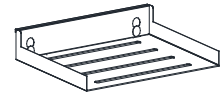
Thin Accessory Rail Single



Thin Accessory Rail Double

PHONE TRAY

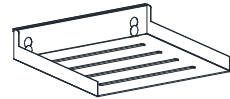
SKU	DESCRIPTION	LIST
XP-PHONE-TRAY	Phone Tray	\$93



Phone Tray

PAPER TRAY

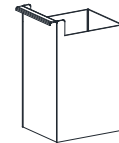
SKU	DESCRIPTION	LIST
XP-PAPER-TRAY	Paper Tray (landscape)	\$109



Paper Tray

PEN TRAY

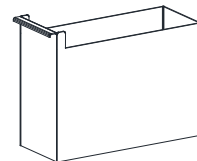
SKU	DESCRIPTION	LIST
XP-PEN-TRAY	Pen Tray	\$42



Pen Tray

BOX TRAY

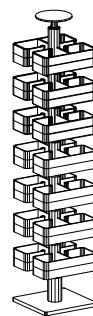
SKU	DESCRIPTION	LIST
XP-BOX-TRAY	Box Tray	\$119



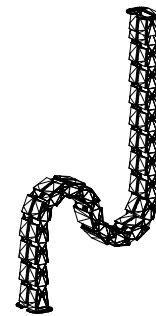
Box Tray

WIRE MANAGEMENT

SKU	DESCRIPTION	LIST
XP-CM-19	Floor Entry Wire Management Kit - AHT	\$169
XP-HA-WM-E	43" Data Wire Management for Xpand Up	\$159



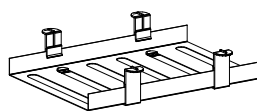
Floor Entry Wire Management



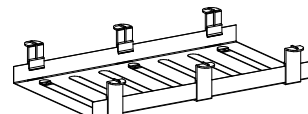
43" Flexible Wire Management

CABLE TRAYS

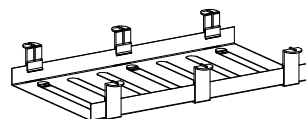
SKU	DESCRIPTION	LIST
XP-CTA-18	Cable Tray 18" w/clips	\$115
XP-CTA-24	Cable Tray 24" w/clips	\$129
XP-CTA-30	Cable tray 30" w/clips	\$159



18" Cable Tray



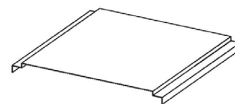
24" Cable Tray



30" Cable Tray

CABLE TRAY COVER

SKU	DESCRIPTION	LIST
XP-CTC10	10" Cable Tray Cover (Link)	\$87
XP-CTC18	18" Cable Tray Cover (Link)	\$119
XP-CTC48	48" Cable Tray Cover	\$339
XP-CTC60	60" Cable Tray Cover	\$349
XP-CTC72	72" Cable Tray Cover	\$439



18" Cable Tray Cover (Link)



48" Cable Tray Cover



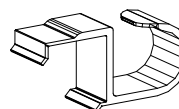
60" Cable Tray Cover



72" Cable Tray Cover

CABLE CLIP

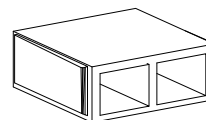
SKU	DESCRIPTION	LIST
XP-CHC	Cable Holder Cup	\$21



Cable Holder Clip

DATA WIRE MANAGEMENT

SKU	DESCRIPTION	LIST
XP-CAT6	Cat 6 Bracket for Cable Tray (case only)	\$38
XP-C-PE-POLE-KIT	Xpand Data Pole Kit	\$245



Cat 6 Bracket (Case Only)

SINGLE STATION CABLE TRAY ASSEMBLY

SKU	DESCRIPTION	LIST
XP-HA-SCT10-A	Cable Tray Link for Xpand Up Single Station	\$159
XP-HA-SCT18-A	Cable Tray Link for Xpand Up Single Station	\$159
XP-HA-SCT48-A	48" Cable Tray Assembly for Xpand Up Single Station	\$265
XP-HA-SCT60-A	60" Cable Tray Assembly for Xpand Up Single Station	\$349
XP-HA-SCT72-A	72" Cable Tray Assembly for Xpand Up Single Station	\$385



18" Cable Tray Xpand Up (Link)



48" Cable Tray Xpand Up



60" Cable Tray Xpand Up



72" Cable Tray Xpand Up

DUPLEX / REAR CLAMP DESK MOUNT - CONNECTS TO POWER BLOCK

	SKU	DESCRIPTION	LIST
W/O USB	XP-DUPLEX-I-RC	Duplex / Rear Clamp Desk Mount	\$295
	XP-DUPLEX-II-RC	Duplex / Rear Clamp Desk Mount	\$295
	XP-DUPLEX-III-RC	Duplex / Rear Clamp Desk Mount	\$295
	XP-DUPLEX-IV-RC	Duplex / Rear Clamp Desk Mount	\$295
W/ USB	XP-DUPLEX-I-USB-RC	Duplex w/USB / Rear Clamp Desk Mount	\$769
	XP-DUPLEX-II-USB-RC	Duplex w/USB / Rear Clamp Desk Mount	\$769
	XP-DUPLEX-III-USB-RC	Duplex w/USB / Rear Clamp Desk Mount	\$769
	XP-DUPLEX-IV-USB-RC	Duplex w/USB / Rear Clamp Desk Mount	\$769



Clamp Duplex (w/o USB) Clamp Duplex (w/ USB)

NOTE: Rear Clamp Duplexes attach to surfaces via screws

DUPLEX / CABLE TRAY MOUNT - CONNECTS TO POWER BLOCK

	SKU	DESCRIPTION	LIST
W/O USB	XP-DUPLEX-I-T	Duplex / Cable Tray Mount	\$295
	XP-DUPLEX-II-T	Duplex / Cable Tray Mount	\$295
	XP-DUPLEX-III-T	Duplex / Cable Tray Mount	\$295
	XP-DUPLEX-IV-T	Duplex / Cable Tray Mount	\$295
W/ USB	XP-DUPLEX-I-USB-T	Duplex w/USB / Cable Tray Mount	\$769
	XP-DUPLEX-II-USB-T	Duplex w/USB / Cable Tray Mount	\$769
	XP-DUPLEX-III-USB-T	Duplex w/USB / Cable Tray Mount	\$769
	XP-DUPLEX-IV-USB-T	Duplex w/USB / Cable Tray Mount	\$769



Cable Tray Mount Duplex (w/o USB)



Cable Tray Mount Duplex (w/o USB)

NOTE: Cable Tray Mount Duplexes require a cable tray (sold separately)

3-WIRE (1-CIRCUIT)

	SKU	DESCRIPTION	LIST
POWER ENTRY & POWER BLOCK	XP-PE-FLOOR-PLUG	Electrical power entry single circuit plug	\$159
	XP-PB-A	Power block	\$105
POWER JUMPERS	XP-PWR24-S-A	3-Wire Power line Jumper 24"	\$129
	XP-PWR30-S-A	3-Wire Power line Jumper 30"	\$145
	XP-PWR36-S-A	3-Wire Power line Jumper 36"	\$145
	XP-PWR42-S-A	3-Wire Power line Jumper 42"	\$155
	XP-PWR48-S-A	3-Wire Power line Jumper 48"	\$159
	XP-PWR60-S-A	3-Wire Power line Jumper 60"	\$169
XP-PWR72-S-A	3-Wire Power line Jumper 72"	\$179	



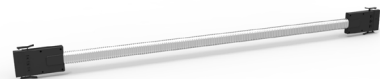
Power Block



Jumper (1-Circuit)

8-WIRE (4-CIRCUIT)

	SKU	DESCRIPTION	LIST
POWER ENTRY & POWER BLOCK	XP-PE-8-WIRE	Base electrical power entry four circuit	\$595
	XP-C-PEK	Ceiling power entry kit	\$935
	XP-PB-A	Power block	\$105
POWER JUMPERS	XP-PWR24-A	8-Wire Power Line Jumper:24"	\$365
	XP-PWR30-A	8-Wire Power Line Jumper:30"	\$375
	XP-PWR36-A	8-Wire Power Line Jumper:36"	\$399
	XP-PWR42-A	8-Wire Power Line Jumper:42"	\$435
	XP-PWR48-A	8-Wire Power Line Jumper:48"	\$459
	XP-PWR60-A	8-Wire Power Line Jumper:60"	\$505
XP-PWR72-A	8-Wire Power Line Jumper:72"	\$555	



Jumper (4-Circuit)

DUPLEX / REAR CLAMP DESK MOUNT - CONNECTS WITH POWER PLUG

	SKU	DESCRIPTION	LIST
W/ USB	XP-DUPLEX-USB-P-1.WH	Duplex w/USB / Rear Clamp Desk Mount - White	\$385



White and Black Clamp Duplex (w/ USB)
NOTE: Clamp Duplexes attach to surfaces via knob

DUPLEX POWER STRIP - CONNECTS WITH POWER ENTRY OPTION (BELOW)

	SKU	DESCRIPTION	LIST
W/O USB	XP-DUPLEX-I-1	Duplex Strip w/o USB - A Circuit / Black	\$325
	XP-DUPLEX-II-1	Duplex Strip w/o USB - B Circuit / Blue	\$325
	XP-DUPLEX-III-1	Duplex Strip w/o USB - C Circuit / Red	\$325
	XP-DUPLEX-IV-1	Duplex Strip w/o USB - D Circuit / Green	\$325
W/ USB	XP-DUPLEX-I-USB-1	Duplex Strip w/ USB - A Circuit / Black	\$385
	XP-DUPLEX-II-USB-1	Duplex Strip w/ USB - B Circuit / Blue	\$385
	XP-DUPLEX-III-USB-1	Duplex Strip w/ USB - C Circuit / Red	\$385
	XP-DUPLEX-IV-USB-1	Duplex Strip w/ USB - D Circuit / Green	\$385
POWER JUMPERS	XP-PWR6-1	6" 4-Circuit Power Jumper	\$305
	XP-PWR24-1	24" 4-Circuit Power Jumper	\$365
	XP-PWR30-1	30" 4-Circuit Power Jumper	\$375
	XP-PWR36-1	36" 4-Circuit Power Jumper	\$399
	XP-PWR42-1	42" 4-Circuit Power Jumper	\$385
	XP-PWR48-1	48" 4-Circuit Power Jumper	\$459
	XP-PWR60-1	60" 4-Circuit Power Jumper	\$555
	XP-PWR72-1	72" 4-Circuit Power Jumper	\$505



Duplex Power Strip (w/o USB)



Duplex Power Strip (w/ USB)

NOTE: Power Strips required a power entry option below (sold separately)



Power Jumper (4-Circuit)
(Connects Duplex Power Strips together)

DUPLEX POWER STRIP - POWER ENTRY OPTIONS

SKU	DESCRIPTION	LIST
XP-PE-FLOOR-PLUG-1	1-Circuit Power Entry Plug for Duplex Power Strip	\$159
XP-PE-8-WIRE-1	4-Circuit Power Entry Infeed for Duplex Power Strip	\$595
XP-PE-CEILING-1	4-Circuit Ceiling Power Entry Infeed for Duplex Power Strip	\$935



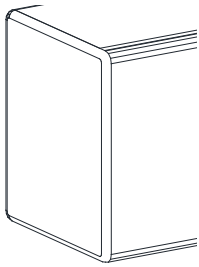
1-Circuit Power Entry Plug
NOTE: Compatible with A Circuit Duplex Power Strips only



4-Circuit Ceiling Power Entry Infeed
NOTE: Compatible with all Duplex Power Strips

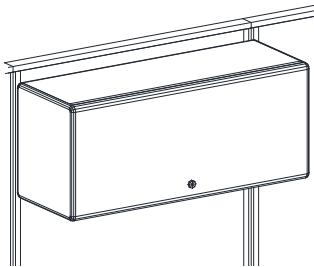


4-Circuit Power Entry Infeed
NOTE: Compatible with all Duplex Power Strips



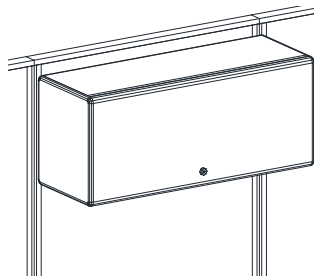
B STYLE

DESCRIPTION:
B Style Flipper Doors have a radiused edge and an aesthetic appeal.



B STYLE

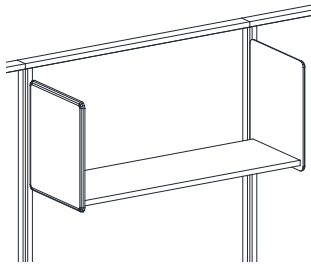
SKU	DESCRIPTION	LIST
FDU2412B	24 x 12 Flipper Door Unit- B Style	\$675
FDU3012B	30 x 12 Flipper Door Unit- B Style	\$709
FDU3612B	36 x 12 Flipper Door Unit- B Style	\$749
FDU4212B	42 x 12 Flipper Door Unit- B Style	\$819
FDU4812B	48 x 12 Flipper Door Unit- B Style	\$875
FDU6012B	60 x 12 Flipper Door Unit- B Style	\$1,035



PAINTED: B STYLE

SKU	DESCRIPTION	LIST
FDU2412P	24 x 12 Flipper Door Unit- B Style- Painted	\$655
FDU3012P	30 x 12 Flipper Door Unit- B Style- Painted	\$689
FDU3612P	36 x 12 Flipper Door Unit- B Style- Painted	\$739
FDU4212P	42 x 12 Flipper Door Unit- B Style- Painted	\$799
FDU4812P	48 x 12 Flipper Door Unit- B Style- Painted	\$835
FDU6012P	60 x 12 Flipper Door Unit- B Style- Painted	\$1,025

SHELF

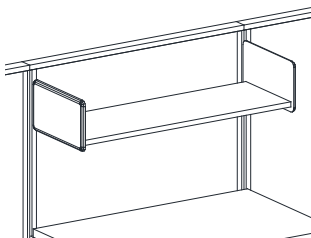


NOTE:
*The underside of the shelf accepts a task light. Attachment hardware is included. Shipped knocked down.

*Full height shelves are 15"H.

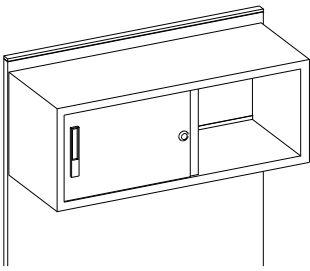
SKU	DESCRIPTION	LIST
SH2412B	24 x 12 Shelf Unit- B Style	\$275
SH3012B	30 x 12 Shelf Unit- B Style	\$275
SH3612B	36 x 12 Shelf Unit- B Style	\$295
SH4212B	42 x 12 Shelf Unit- B Style	\$305
SH4812B	48 x 12 Shelf Unit- B Style	\$325
SH6012B	60 X 12 Shelf Unit- B Style	\$375

HALF HEIGHT SHELF



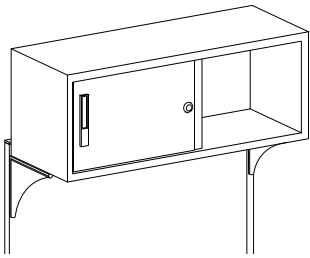
NOTE: Half Height Shelves are 7.5"H and can fit on 53"H panels. 32, 39 and 47"H panels cannot accommodate shelves.

SKU	DESCRIPTION	LIST
SHH2412B	24 x 12 Half Height Shelf Unit- B Style	\$199
SHH3012B	30 x 12 Half Height Shelf Unit- B Style	\$199
SHH3612B	36 x 12 Half Height Shelf Unit- B Style	\$215
SHH4212B	42 x 12 Half Height Shelf Unit- B Style	\$245
SHH4812B	48 x 12 Half Height Shelf Unit- B Style	\$245
SHH6012B	60 x 12 Half Height Shelf Unit- B Style	\$305



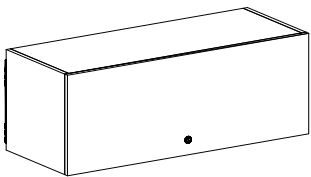
STORAGE CABINET (METAL W/ SLIDING DOOR)

SKU	DESCRIPTION	LIST
SDCAB24-MD	24"W x 14"D Metal Storage Cabinet w/Metal Sliding Door	\$675
SDCAB30-MD	30"W x 14"D Metal Storage Cabinet w/Metal Sliding Door	\$739
SDCAB36-MD	36"W x 14"D Metal Storage Cabinet w/Metal Sliding Door	\$809
SDCAB42-MD	42"W x 14"D Metal Storage Cabinet w/Metal Sliding Door	\$895
SDCAB48-MD	48"W x 14"D Metal Storage Cabinet w/Metal Sliding Door	\$989
SDCAB60-MD	60"W x 14"D Metal Storage Cabinet w/Metal Sliding Door	\$1,145
SDCAB24-FD	24"W x 14"D Metal Storage Cabinet w/Fabric Sliding Door	\$915
SDCAB30-FD	30"W x 14"D Metal Storage Cabinet w/Fabric Sliding Door	\$995
SDCAB36-FD	36"W x 14"D Metal Storage Cabinet w/Fabric Sliding Door	\$1,035
SDCAB42-FD	42"W x 14"D Metal Storage Cabinet w/Fabric Sliding Door	\$1,145
SDCAB48-FD	48"W x 14"D Metal Storage Cabinet w/Fabric Sliding Door	\$1,219
SDCAB60-FD	60"W x 14"D Metal Storage Cabinet w/Fabric Sliding Door	\$1,385



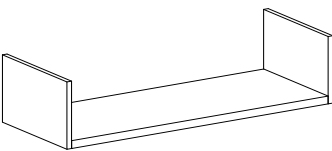
STORAGE CABINET (METAL W/ SLIDING DOOR- UPMOUNT)

SKU	DESCRIPTION	LIST
SDCAB24UM-MD	24"W x 14"D Upmount Metal Stor Cab w/Metal Sliding Door	\$905
SDCAB30UM-MD	30"W x 14"D Upmount Metal Stor Cab w/Metal Sliding Door	\$995
SDCAB36UM-MD	36"W x 14"D Upmount Metal Stor Cab w/Metal Sliding Door	\$1,065
SDCAB42UM-MD	42"W x 14"D Upmount Metal Stor Cab w/Metal Sliding Door	\$1,155
SDCAB48UM-MD	48"W x 14"D Upmount Metal Stor Cab w/Metal Sliding Door	\$1,275
SDCAB60UM-MD	60"W x 14"D Upmount Metal Stor Cab w/Metal Sliding Door	\$1,459
SDCAB24UM-FD	24"W x 14"D Upmount Metal Stor Cabinet w/Fabric Sliding Door	\$1,155
SDCAB30UM-FD	30"W x 14"D Upmount Metal Stor Cabinet w/Fabric Sliding Door	\$1,249
SDCAB36UM-FD	36"W x 14"D Upmount Metal Stor Cabinet w/Fabric Sliding Door	\$1,319
SDCAB42UM-FD	42"W x 14"D Upmount Metal Stor Cabinet w/Fabric Sliding Door	\$1,395
SDCAB48UM-FD	48"W x 14"D Upmount Metal Stor Cabinet w/Fabric Sliding Door	\$1,519
SDCAB60UM-FD	60"W x 14"D Upmount Metal Stor Cabinet w/Fabric Sliding Door	\$1,699



METAL OVERHEAD STORAGE (FLIPPER DOOR)

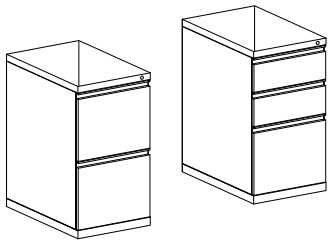
SKU	DESCRIPTION	LIST
OHS-MFD24	Overhead Metal Flipper Door Unit 24W	\$709
OHS-MFD30	Overhead Metal Flipper Door Unit 30W	\$749
OHS-MFD36	Overhead Metal Flipper Door Unit 36W	\$875
OHS-MFD42	Overhead Metal Flipper Door Unit 42W	\$949
OHS-MFD48	Overhead Metal Flipper Door Unit 48W	\$1,065
OHS-MFD60	Overhead Metal Flipper Door Unit 60W	\$1,145



METAL OVERHEAD STORAGE (SHELF)

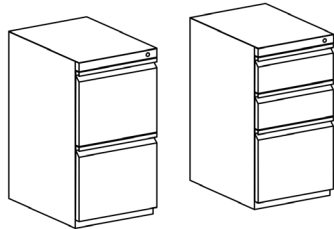
SKU	DESCRIPTION	LIST
OHS-MSH24	Overhead Metal Shelf Unit 24W	\$305
OHS-MSH30	Overhead Metal Shelf Unit 30W	\$339
OHS-MSH36	Overhead Metal Shelf Unit 36W	\$365
OHS-MSH42	Overhead Metal Shelf Unit 42W	\$419
OHS-MSH48	Overhead Metal Shelf Unit 48W	\$449
OHS-MSH60	Overhead Metal Shelf Unit 60W	\$505

PEDESTALS: FULL PULL



NOTE: Available in BU, HF, LT, MS, MT and WF Finishes.

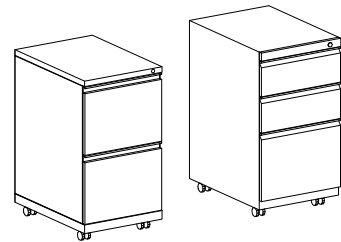
Locking metal pedestal supports Work Surfaces. Locks are included.



NOTE: Available in BU, HF, LT, MS, MT and WF Finishes.

Freestanding locking pedestal w/ counterweight. Lock is included.

Seat Cushion available. Will not fit under Work Surface.



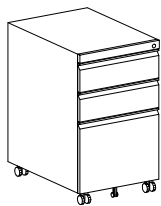
NOTE: Available in BU, HF, LT, MS, MT and WF Finishes.

Mobile locking pedestal w/ counterweight. Lock is included.

Seat Cushion available. Will not fit under Work Surface.

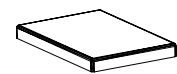


NOTE: Pedestal w/ Seat Cushion will fit under Work Surface.

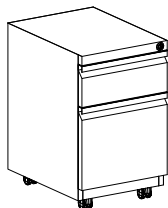


NOTE: Available in BU, HF, LT, MS, MT and WF Finishes.

Seat Cushion available. Will fit under Work Surface.

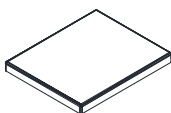


NOTE: Pedestal w/ Seat Cushion will fit under Work Surface.



NOTE: Available in BU, HF, LT, MS, MT and WF Finishes.

Seat Cushion available. Will fit under Work Surface.



NOTE: Pedestal w/ Seat Cushion will fit under Work Surface.

STRUCTURAL PEDESTALS

SKU	DESCRIPTION	LIST
FF-FP	File, File, Full Pull, 23"D, No Top	\$1,089
BBF- FP	Box, Box, File, Full Pull, 23"D, No Top	\$1,089
FF-FP-21	File, File, Full Pull, 21"D, No Top	\$989
BBF-FP-21	Box, Box, File, Full Pull, 21"D, No Top	\$989

FREESTANDING PEDESTALS

SKU	DESCRIPTION	LIST
FF-FP-FS	File, File, Full Pull, Freestanding, 20.5"D, W/ Top	\$1,265
BBF-FP-FS	Box, Box, Full Pull, Freestanding, 20.5"D, W/ Top	\$1,265

MOBILE PEDESTALS

SKU	DESCRIPTION	LIST
FF-FP-MP	File, File, Full Pull, Mobile 20" Mobile	\$1,265
BBF-FP-MP	Box, Box, File, Full Pull, 21"Mobile	\$1,265

FULL PULL SEAT CUSHION

SKU	DESCRIPTION	LIST
SC-FP-MP	Seat Cushion for Full Pull Mobile Pedestal 15-5/8W x 20-1/8D	\$165

BUDGET MOBILE PEDESTAL

SKU	DESCRIPTION	LIST
BBF-FP-MPB	Box, Box, File, Full Pull, Budget Mobile, 21"D	\$905

BUDGET MOBILE SEAT CUSHION

SKU	DESCRIPTION	LIST
SC-MPB	Seat Cushion for Budget Mobile Pedestal 15-3/8W x 21-1/2D	\$165

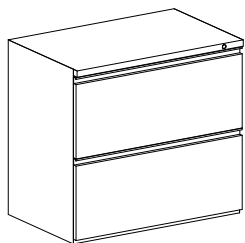
DESKING PEDESTAL

SKU	DESCRIPTION	LIST
DS-BF-FP-M	14.6"W x 19.7"D Low Metal Box/File- Full Pull	\$1,249

DESKING PEDESTAL SEAT CUSHION

SKU	DESCRIPTION	LIST
DS-SC15	14.6"W Seat Cushion for Desking B/F Pedestal	\$189

LATERAL FILES



NOTE: Available in BU, HF, LT, MS, MT and WF Finishes.

Locking freestanding lateral file accommodates letter, A4, and legal files. Full extension steel ball-bearing slides, w/ safety interlock system that allows for only one drawer to open at a time.

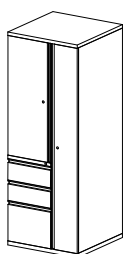
2-DRAWER FULL PULL

SKU	DESCRIPTION	LIST
LF2-30-FP	30"W Lateral File, Full Pull, 2 Drawer	\$1,965
LF2-36-FP	36"W Lateral File, Full Pull, 2 Drawer	\$2,119
LF2-42-FP	42"W Lateral File, Full Pull, 2 Drawer	\$2,509

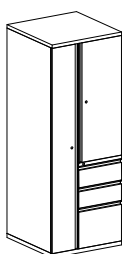
3-DRAWER FULL PULL

SKU	DESCRIPTION	LIST
LF3-30-FP	30"W Lateral File, Full Pull, 3 Drawer	\$2,509
LF3-36-FP	36"W Lateral File, Full Pull, 3 Drawer	\$2,749
LF3-42-FP	42"W Lateral File, Full Pull, 3 Drawer	\$3,379

STORAGE TOWERS



RIGHT

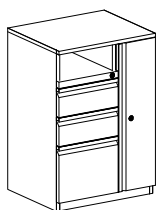


LEFT

NOTE: Available in BU, HF, LT, MS, MT and WF Finishes.

STORAGE TOWER 63"H

SKU	DESCRIPTION	LIST
LFT-242463-FP-R	Wardrobe Tower, 3 Drawer, 63H Wardrobe on Right	\$4,319
LFT-242463-FP-L	Wardrobe Tower, 3 Drawer, 63H Wardrobe on Left	\$4,319

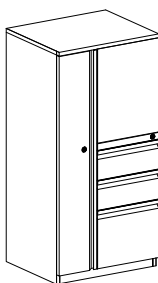


NOTES:
Available in BU, HF, LT, MS, MT and WF Finishes.

37"H Wardrobes are not handed.

STORAGE TOWER 37"H

SKU	DESCRIPTION	LIST
DS-ST242437-M	24"W x 24"D x 37"H Metal Storage Tower	\$3,675



NOTES:
Available in BU, HF, LT, MS, MT and WF Finishes.

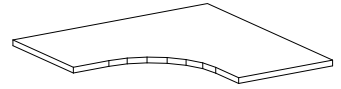
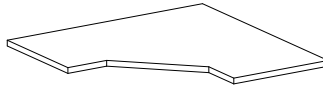
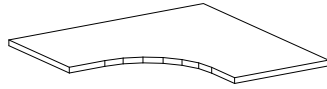
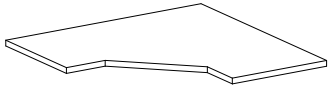
51"H Wardrobes are handed. Wardrobe side determines Left vs Right.

STORAGE TOWER 51"H

SKU	DESCRIPTION	LIST
DS-ST242451L-M	24"W x 24"D x 51"H Metal Storage Tower- Left	\$4,005
DS-ST242451R-M	24"W x 24"D x 51"H Metal Storage Tower- Right	\$4,005

PINCH POINT COMPLIANT SKUs

To meet pinch point compliant safety standards for sit-stand work surfaces, see below alternate SKUs for our sit-stand work surfaces that are 1" shorter in depth and width to accommodate possible pinch points for work surfaces in stations.



STRAIGHT CORNER

SKU	LIST
AHCWS363624	\$675
AHCWS363630	\$739
AHCWS424224	\$739
AHCWS424230	\$769

CURVED CORNER

SKU	LIST
AHCCWS363624	\$655
AHCCWS363630	\$709
AHCCWS424224	\$709
AHCCWS424230	\$739

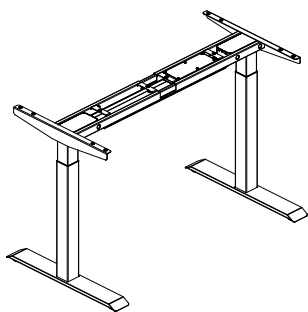
STRAIGHT CORNER

SKU	LIST
AHCWS353523	\$675
AHCWS353529	\$739
AHCWS414123	\$739
AHCWS414129	\$769

CURVED CORNER

SKU	LIST
AHCCWS353523	\$655
AHCCWS353529	\$709
AHCCWS414123	\$709
AHCCWS414129	\$739

NOTE: Corner grommets (GRCUT) do not come standard on sit-stand base tops (AHCWS, AHCCWS, AHTECCWS) and must be specified separately.

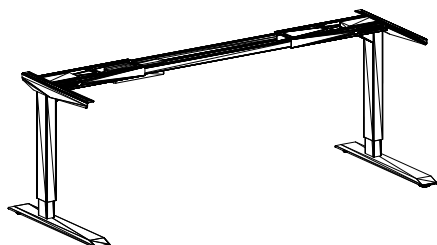


2-STAGE STRAIGHT BASE (T-LEG)

DESCRIPTION
Our most affordable sit-stand solution! Comes with easy assembly fold-out T-Legs.

SKU	DESCRIPTION	LIST
E-TABLE-2S-T-LEG-XX	Straight Powered Adjustable Height Base - 2-Stage	\$1,535

NOTES: XX denotes finish color. Available in BU and MS finishes.
Does not support tops below 47"W.

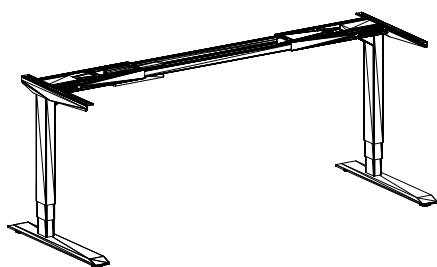


2-STAGE STRAIGHT BASE (C-LEG)

DESCRIPTION
Our 2-Stage Straight Base offers a low-cost solution w/ easy assembly fold-out C-Legs.

SKU	DESCRIPTION	LIST
E-TABLE-2S-48-72-J-XX	Straight Powered Adjustable Height Base - 2-Stage	\$1,650

NOTE: XX denotes finish color. Available in BU and MS finishes.

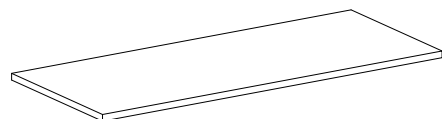


3-STAGE STRAIGHT BASE (C-LEG)

DESCRIPTION
Our 3-Stage Straight Base offers all the benefits of a 3-Stage lift w/ easy assembly fold-out C-Legs.

SKU	DESCRIPTION	LIST
E-TABLE48-72-J-XX	Straight Powered Adjustable Height Base - 3-Stage	\$1,995

NOTE: XX denotes finish color. Available in BU, MS, MT, WF finishes.



PINCH POINT COMPLIANT SKUs

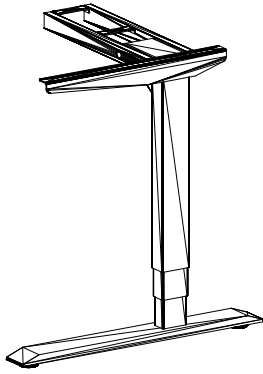
To meet pinch point compliant safety standards for sit-stand work surfaces, see below alternate SKUs for our sit-stand work surfaces that are 1" shorter in depth and width to accommodate possible pinch points for work surfaces in stations.

STANDARD TOPS FOR STRAIGHT BASE

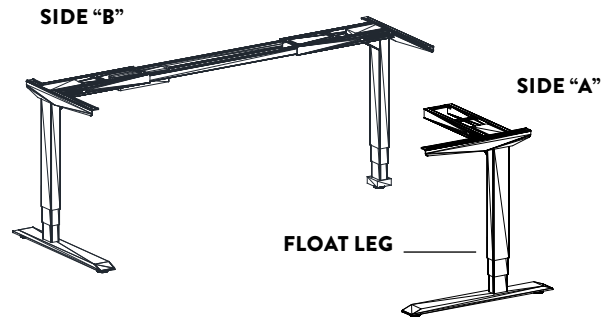
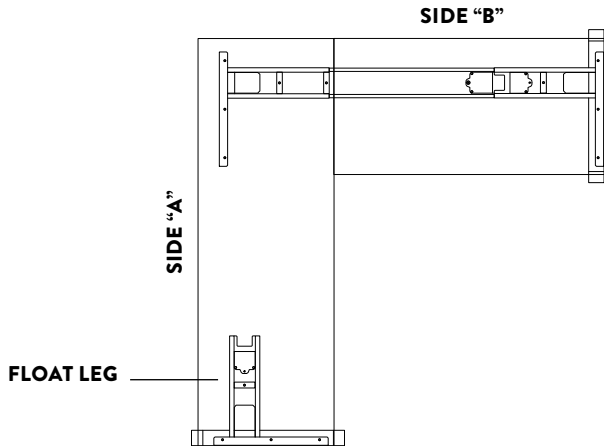
24"D	SKU	DESCRIPTION	LIST
	AHTT2442	24"x42" Adjustable Height Top	\$465
	AHTT2448	24"x48" Adjustable Height Top	\$489
	AHTT2460	24"x60" Adjustable Height Top	\$575
	AHTT2466	24"x66" Adjustable Height Top	\$629
	AHTT2472	24"x72" Adjustable Height Top	\$705
	AHTT2478	24"x78" Adjustable Height Top	\$749
	AHTT2484	24"x84" Adjustable Height Top	\$739
30"D	SKU	DESCRIPTION	LIST
	AHTT3042	30"x42" Adjustable Height Top	\$555
	AHTT3048	30"x48" Adjustable Height Top	\$595
	AHTT3060	30"x60" Adjustable Height Top	\$709
	AHTT3066	30"x66" Adjustable Height Top	\$785
	AHTT3072	30"x72" Adjustable Height Top	\$875
	AHTT3078	30"x78" Adjustable Height Top	\$905
	AHTT3084	30"x84" Adjustable Height Top	\$915
36"D	SKU	DESCRIPTION	LIST
	AHTT3642	36"x42" Adjustable Height Top	\$709
	AHTT3648	36"x48" Adjustable Height Top	\$739
	AHTT3660	36"x60" Adjustable Height Top	\$825
	AHTT3666	36"x66" Adjustable Height Top	\$915
	AHTT3672	36"x72" Adjustable Height Top	\$1,035
	AHTT3678	36"x78" Adjustable Height Top	\$1,135

PINCH POINT COMPLIANT TOPS FOR STRAIGHT BASE

23"D	SKU	DESCRIPTION	LIST
	AHTT2341	23"x41" Adjustable Height Top	\$465
	AHTT2347	23"x47" Adjustable Height Top	\$489
	AHTT2359	23"x59" Adjustable Height Top	\$575
	AHTT2365	23"x64" Adjustable Height Top	\$629
	AHTT2371	23"x71" Adjustable Height Top	\$705
	AHTT2377	23"x77" Adjustable Height Top	\$749
	AHTT2383	23"x83" Adjustable Height Top	\$739
29"D	SKU	DESCRIPTION	LIST
	AHTT2941	29"x41" Adjustable Height Top	\$555
	AHTT2947	29"x47" Adjustable Height Top	\$595
	AHTT2959	29"x59" Adjustable Height Top	\$709
	AHTT2965	29"x65" Adjustable Height Top	\$785
	AHTT2971	29"x71" Adjustable Height Top	\$875
	AHTT2977	29"x77" Adjustable Height Top	\$905
	AHTT2983	29"x83" Adjustable Height Top	\$915
35"D	SKU	DESCRIPTION	LIST
	AHTT3541	35"x41" Adjustable Height Top	\$709
	AHTT3547	35"x47" Adjustable Height Top	\$739
	AHTT3559	35"x59" Adjustable Height Top	\$825
	AHTT3565	35"x65" Adjustable Height Top	\$739
	AHTT3571	35"x71" Adjustable Height Top	\$1,035
	AHTT3577	35"x76" Adjustable Height Top	\$1,135



FLOAT LEG EXAMPLE



PINCH POINT COMPLIANT SKU:

To meet pinch point compliant safety standards for sit-stand work surfaces, see below alternate SKUs for our sit-stand work surfaces that are 1" shorter in depth and width to accommodate possible pinch points in stations.

STANDARD TOPS FOR SIDE "A"

24"D	SKU	DESCRIPTION	LIST
	AHTT2442	24"x42" Adjustable Height Top	\$465
	AHTT2448	24"x48" Adjustable Height Top	\$489
	AHTT2460	24"x60" Adjustable Height Top	\$575
	AHTT2466	24"x66" Adjustable Height Top	\$629
	AHTT2472	24"x72" Adjustable Height Top	\$705

STANDARD TOPS FOR SIDE "B"

30"D	SKU	DESCRIPTION	LIST
	AHTT3042	30"x42" Adjustable Height Top	\$555
	AHTT3048	30"x48" Adjustable Height Top	\$595
	AHTT3060	30"x60" Adjustable Height Top	\$709
	AHTT3066	30"x66" Adjustable Height Top	\$785
	AHTT3072	30"x72" Adjustable Height Top	\$875

STANDARD TOPS FOR SIDE "A"

23"D	SKU	DESCRIPTION	LIST
	AHTT2341	23"x41" Adjustable Height Top	\$465
	AHTT2347	23"x47" Adjustable Height Top	\$489
	AHTT2359	23"x59" Adjustable Height Top	\$575
	AHTT2365	23"x64" Adjustable Height Top	\$629
	AHTT2371	23"x71" Adjustable Height Top	\$705

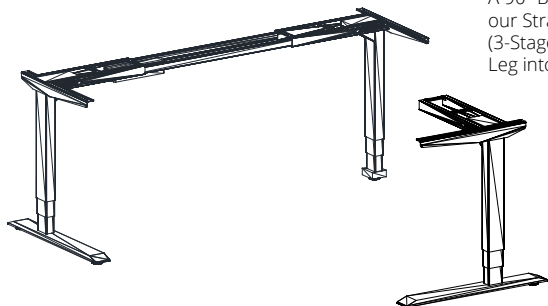
PINCH POINT COMPLIANT TOPS FOR SIDE "B"

29"D	SKU	DESCRIPTION	LIST
	AHTT2941	29"x41" Adjustable Height Top	\$555
	AHTT2947	29"x47" Adjustable Height Top	\$595
	AHTT2959	29"x59" Adjustable Height Top	\$709
	AHTT2965	29"x65" Adjustable Height Top	\$785
	AHTT2971	29"x71" Adjustable Height Top	\$875

PINCH POINT COMPLIANT TOPS FOR SIDE "B"

29"D	SKU	DESCRIPTION	LIST
	AHTT2941	29"x41" Adjustable Height Top	\$555
	AHTT2947	29"x47" Adjustable Height Top	\$595

**CLOSEOUT
LIMITED AVAILABILITY**



90° BASE

DESCRIPTION

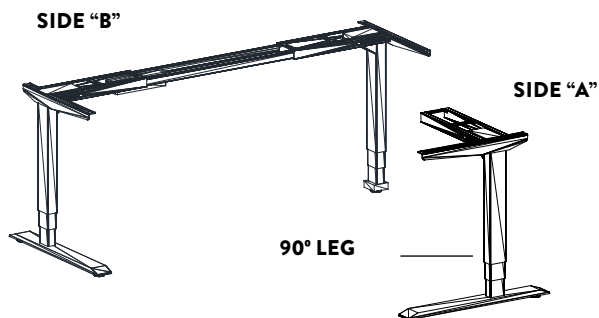
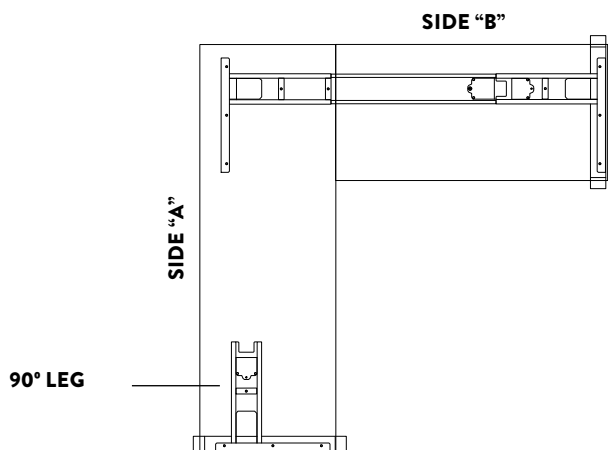
A 90° Base combining our Straight Base (3-Stage) and 90° Float Leg into one package!

SKU	DESCRIPTION	LIST
E-TABLE48-72-90-J-XX	90° Powered Adjustable Height Base - 3-Stage	\$3,079
FLATBR 2x3	Flat Bracket	\$16

NOTE: Open Plan Systems recommends using two Flat Brackets per 90° Base station for increased stability.

.XX denotes finish color. Available in BU only.

SET UP EXAMPLE



PINCH POINT COMPLIANT SKUs

To meet pinch point compliant safety standards for sit-stand work surfaces, see below alternate SKUs for our sit-stand work surfaces that are 1" shorter in depth and width to accommodate possible pinch points in stations.

STANDARD TOPS FOR SIDE "A"

24"D	SKU	DESCRIPTION	LIST
	AHTT2442	24"x42" Adjustable Height Top	\$465
	AHTT2448	24"x48" Adjustable Height Top	\$489
	AHTT2460	24"x60" Adjustable Height Top	\$575
	AHTT2466	24"x66" Adjustable Height Top	\$629
	AHTT2472	24"x72" Adjustable Height Top	\$705

30"D

SKU	DESCRIPTION	LIST
AHTT3042	30"x42" Adjustable Height Top	\$555
AHTT3048	30"x48" Adjustable Height Top	\$595
AHTT3060	30"x60" Adjustable Height Top	\$709
AHTT3066	30"x66" Adjustable Height Top	\$785
AHTT3072	30"x72" Adjustable Height Top	\$875

STANDARD TOPS FOR SIDE "B"

24"D	SKU	DESCRIPTION	LIST
	AHTT2442	24"x42" Adjustable Height Top	\$465
	AHTT2448	24"x48" Adjustable Height Top	\$489

30"D

SKU	DESCRIPTION	LIST
AHTT3042	30"x42" Adjustable Height Top	\$555
AHTT3048	30"x48" Adjustable Height Top	\$595

PINCH POINT COMPLIANT TOPS FOR SIDE "A"

23"D	SKU	DESCRIPTION	LIST
	AHTT2341	23"x41" Adjustable Height Top	\$465
	AHTT2347	23"x47" Adjustable Height Top	\$489
	AHTT2359	23"x59" Adjustable Height Top	\$575
	AHTT2365	23"x64" Adjustable Height Top	\$629
	AHTT2371	23"x71" Adjustable Height Top	\$705

29"D

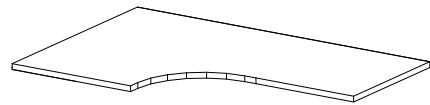
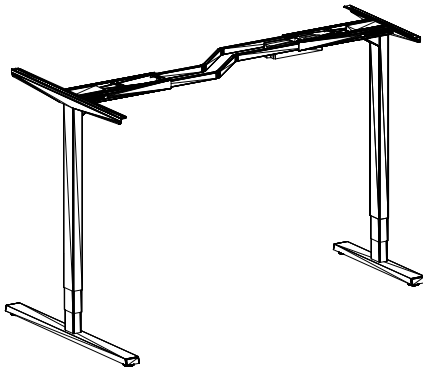
SKU	DESCRIPTION	LIST
AHTT2941	29"x41" Adjustable Height Top	\$555
AHTT2947	29"x47" Adjustable Height Top	\$595
AHTT2959	29"x59" Adjustable Height Top	\$709
AHTT2965	29"x65" Adjustable Height Top	\$785
AHTT2971	29"x71" Adjustable Height Top	\$875

PINCH POINT COMPLIANT TOPS FOR SIDE "B"

23"D	SKU	DESCRIPTION	LIST
	AHTT2341	23"x41" Adjustable Height Top	\$465
	AHTT2347	23"x47" Adjustable Height Top	\$489

29"D

SKU	DESCRIPTION	LIST
AHTT2941	29"x41" Adjustable Height Top	\$555
AHTT2947	29"x47" Adjustable Height Top	\$595



EXTENDED L BASE

DESCRIPTION

Our Extended L Base is compatible w/ our L-Style tops to help provide an extended corner surface.

SKU	DESCRIPTION	LIST
E-TABLE-L-J.XX	Extended L Base Powered Adjustable Height Workstation - 3 Stage	\$2,350

NOTE: XX denotes finish color. Available in BU, MS, MT, WF finishes.

PINCH POINT COMPLIANT SKUs

To meet pinch point compliant safety standards for sit-stand work surfaces, see below alternate SKUs for our sit-stand work surfaces that are 1" shorter in depth and width to accommodate possible pinch points in stations.

STANDARD TOPS FOR EXTENDED L BASE

60"W	SKU	DESCRIPTION	LIST
	AHTECCWS362460L	L Ext Curvilinear Corner Top 36x24x60	\$1,109
	AHTECCWS362460R	R Ext Curvilinear Corner Top 36x24x60	\$1,109
	AHTECCWS363060L	L Ext Curvilinear Corner Top 36x30x60	\$1,219
	AHTECCWS363060R	R Ext Curvilinear Corner Top 36x30x60	\$1,219
66"W	SKU	DESCRIPTION	LIST
	AHTECCWS362466L	L Ext Curvilinear Corner Top 36x24x66	\$1,145
	AHTECCWS362466R	R Ext Curvilinear Corner Top 36x24x66	\$1,145
	AHTECCWS363066L	L Ext Curvilinear Corner Top 36x30x66	\$1,309
	AHTECCWS363066R	R Ext Curvilinear Corner Top 36x30x66	\$1,309
	AHTECCWS422466L	L Ext Curvilinear Corner Top 42x24x66	\$1,209
	AHTECCWS422466R	R Ext Curvilinear Corner Top 42x24x66	\$1,209
	AHTECCWS423066L	L Ext Curvilinear Corner Top 42x30x66	\$1,319
	AHTECCWS423066R	R Ext Curvilinear Corner Top 42x30x66	\$1,319
72"W	SKU	DESCRIPTION	LIST
	AHTECCWS362472L	L Ext Curvilinear Corner Top 36x24x72	\$1,209
	AHTECCWS362472R	R Ext Curvilinear Corner Top 36x24x72	\$1,209
	AHTECCWS363072L	L Ext Curvilinear Corner Top 36x30x72	\$1,419
	AHTECCWS363072R	R Ext Curvilinear Corner Top 36x30x72	\$1,419
	AHTECCWS422472L	L Ext Curvilinear Corner Top 42x24x72	\$1,295
	AHTECCWS422472R	R Ext Curvilinear Corner Top 42x24x72	\$1,295
	AHTECCWS423072L	L Ext Curvilinear Corner Top 42x30x72	\$1,419
	AHTECCWS423072R	R Ext Curvilinear Corner Top 42x30x72	\$1,419
	AHTECCWS482472L	L Ext Curvilinear Corner Top 48x24x72	\$1,395
	AHTECCWS482472R	R Ext Curvilinear Corner Top 48x24x72	\$1,395
	AHTECCWS483072L	L Ext Curvilinear Corner Top 48x30x72	\$1,459
	AHTECCWS483072R	R Ext Curvilinear Corner Top 48x30x72	\$1,459

PINCH POINT COMPLIANT TOPS FOR EXTENDED L BASE

65"W	SKU	DESCRIPTION	LIST
	AHTECCWS412365L	L Ext Curvilinear Corner Top 41x23x65	\$1,209
	AHTECCWS412365R	R Ext Curvilinear Corner Top 41x23x65	\$1,209
	AHTECCWS412965L	L Ext Curvilinear Corner Top 41x29x65	\$1,319
	AHTECCWS412965R	R Ext Curvilinear Corner Top 41x29x65	\$1,319
71"W	SKU	DESCRIPTION	LIST
	AHTECCWS412371L	L Ext Curvilinear Corner Top 41x23x71	\$1,295
	AHTECCWS412371R	R Ext Curvilinear Corner Top 41x23x71	\$1,295
	AHTECCWS412971L	L Ext Curvilinear Corner Top 41x29x71	\$1,419
	AHTECCWS412971R	R Ext Curvilinear Corner Top 41x29x71	\$1,419
	AHTECCWS472371L	L Ext Curvilinear Corner Top 47x23x71	\$1,395
	AHTECCWS472371R	R Ext Curvilinear Corner Top 47x23x71	\$1,395
	AHTECCWS472971L	L Ext Curvilinear Corner Top 47x29x71	\$1,459
	AHTECCWS472971R	R Ext Curvilinear Corner Top 47x29x71	\$1,459

NOTE: Corner grommets (GRCUT) do not come standard on sit-stand base tops (AHCWS, AHCCWS, AHTECCWS) and must be specified separately.



BASE ACCESSORIES

WIRE MANAGEMENT

SKU	DESCRIPTION	LIST
WM-E	53" Data Wire Management for Powered Adjustable Height Table	\$285



CABLE TRAY

SKU	DESCRIPTION	LIST
E-TABLE-J-WM	Wire Management Tray for Adjust Base Dimensions: 23 5/8" L x 2 3/8" W x 2 3/8" D	\$32

KEYBOARD SET

SKU	DESCRIPTION	LIST
WKETABLE	Keyboard set for Powered Adjustable Height Table	\$1,099

NOTE: Designed for 30"D and 36"D Tops only.

LOCKABLE CASTERS

SKU	DESCRIPTION	LIST
E-TABLE-CAST-ER-1	Castors for Power Adjustable Height Table (Set of 4)	\$149

BLUETOOTH ADAPTER

SKU	DESCRIPTION	LIST
E-TABLE-J-BLUETOOTH	Bluetooth adapter for AI Desk app	\$149
E-TABLE-J-BLUETOOTH-ADAPTER	Cable adapter for 3-leg bases	\$32

NOTE: Required to use the AI Desk app to control and monitor table functions. 3-Leg bases require additional Cable adapter to use Bluetooth adapter.



WKTREX2



WKGRTREX2



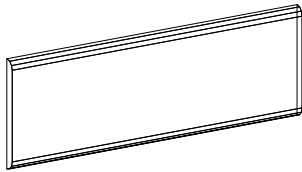
STANDARD MONITOR ARMS

SKU	DESCRIPTION	LIST
WKTREX	Flat Screen Monitor Support Arm, Clamp Mount	\$759
WKTREX2	Flat Screen Dual Monitor Support Arm, Clamp Mount	\$489
WKGRTREX	Flat Screen Monitor Support Arm, Grommet Mount	\$759
WKGRTREX2	Flat Screen Dual Monitor Support Arm, Grommet Mount	\$699

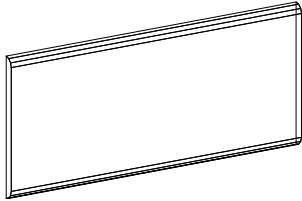
CLAMP POWER DUPLEXES

SKU	DESCRIPTION	LIST
XP-DUPLEX-USB-P-1.XX	Clamp Mount Duplex w/ 2 REC, 2 USB	\$385

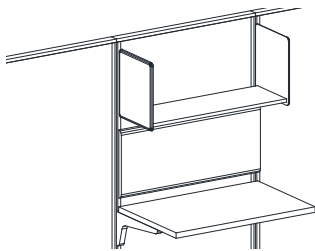
TACK BOARDS



12"H



16"H



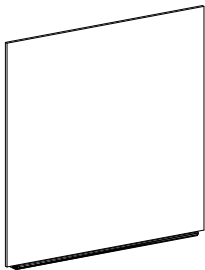
B STYLE- 12"H

SKU	DESCRIPTION	LIST
TB2412B	24W x 12H Tack board- B Style	\$199
TB3012B	30W x 12H Tack board- B Style	\$199
TB3612B	36W x 12H Tack board- B Style	\$215
TB4212B	42W x 12H Tack board- B Style	\$235
TB4812B	48W x 12H Tack board- B Style	\$265
TB6012B	60W x 12H Tack board- B Style	\$325

B STYLE- 16"H

SKU	DESCRIPTION	LIST
TB24B	24W x 16H Tack board- B Style	\$265
TB30B	30W x 16H Tack board- B Style	\$275
TB36B	36W x 16H Tack board- B Style	\$295
TB42B	42W x 16H Tack board- B Style	\$305
TB48B	48W x 16H Tack board- B Style	\$325
TB60B	60W x 16H Tack board- B Style	\$419

MARKER BOARDS



NOTE: Custom Sizes available. Contact CSR for pricing.

MARKER BOARD

SKU	DESCRIPTION	LIST
MB2424	24H x 24W Marker Board w/ Tray	\$435
MB2436	24H x 36W Marker Board w/ Tray	\$505
MB2448	24H x 48W Marker Board w/ Tray	\$619
MB3030	30H x 30W Marker Board w/ Tray	\$525
MB4848	48H x 48W Marker Board w/ Tray	\$849

LED TASK LIGHTS



LED TASK W/ INTERNAL MOTION SENSOR (24" LIGHT ONLY)

SKU	DESCRIPTION	LIST
TLN-LED-18-1	18" LED Task Light	\$525
TLN-LED-S-1	24" LED Task Light w/ Internal Motion Sensor	\$555
TLN-LED-12-S	12" connection cord, adjoining 24" & 30" shelves	\$28
TLN-LED-24-S	24" connection cord, adjoining 36" & 48" shelves	\$28
TLN-LED-36-S	36" connection cord, adjoining 48" & 60" shelves	\$28

NOTE: 24" LED Task Light cannot be used w/ 24" overheads. 18" LED Task Light is recommended.

NOTE: When chained together with a 24" LED Task Light, 18" Light must still be turned on/off independently. Motion Sensor on the 24" Light does not toggle 18" Light on/off.

CORD MANAGER

SKU	DESCRIPTION	LIST
TLCM	Task Light Cord Manager (BU Only)	\$28

If a tackboard is NOT used, we recommend cord management (TLCM) to hide the cords. Cord management comes in 4' lengths. It can be field cut so that one TLCM can be used for two lights.



CLAMP POWER DUPLEXES

SKU	DESCRIPTION	LIST
XP-DUPLEX-USB-P-1.WF	Clamp Mount Duplex w/ 2 REC, 2 USB	\$385

UNIVERSAL POWER STRIP



NOTE: Must purchase w/ a power entry option below (sold separately)



NOTE: Must purchase w/ a power entry option below (sold separately)

DUPLEX POWER STRIP (POWER ONLY)

SKU	DESCRIPTION	LIST
XP-DUPLEX-I-1	Duplex Power Strip w/ 4 Rec - A Circuit / Black	\$325
XP-DUPLEX-II-1	Duplex Power Strip w/ 4 Rec - B Circuit / Blue	\$325
XP-DUPLEX-III-1	Duplex Power Strip w/ 4 Rec - C Circuit / Red	\$325
XP-DUPLEX-IV-1	Duplex Power Strip w/ 4 Rec - D Circuit / Green	\$325

DUPLEX POWER STRIP (POWER & USB)

SKU	DESCRIPTION	LIST
XP-DUPLEX-I-USB-1	Duplex Power Strip w/ 4 Rec, 2 USB - A Circuit / Black	\$385
XP-DUPLEX-II-USB-1	Duplex Power Strip w/ 4 Rec, 2 USB - B Circuit / Blue	\$385
XP-DUPLEX-III-USB-1	Duplex Power Strip w/ 4 Rec, 2 USB - C Circuit / Red	\$385
XP-DUPLEX-IV-USB-1	Duplex Power Strip w/ 4 Rec, 2 USB - D Circuit / Green	\$385



8 Wire Power Jumper (connects Duplex Power Strips together)

POWER JUMPERS

SKU	DESCRIPTION	LIST
XP-PWR6-1	6" Power Jumper	\$305
XP-PWR24-1	24" Power Jumper	\$365
XP-PWR30-1	30" Power Jumper	\$375
XP-PWR36-1	36" Power Jumper	\$399
XP-PWR42-1	42" Power Jumper	\$385
XP-PWR48-1	48" Power Jumper	\$459
XP-PWR60-1	60" Power Jumper	\$555
XP-PWR72-1	72" Power Jumper	\$505



Plug in option for Duplex Power Strip
NOTE: Compatible w/ A Circuit Duplex Power Strips only

SINGLE CIRCUIT POWER ENTRY (POWER PLUG)

SKU	DESCRIPTION	LIST
XP-PE-FLOOR-PLUG-1	Single Circuit Power Plug	\$159



8-Wire Power Infeed for Duplex Power Strip
NOTE: Compatible w/ all Duplex Power Strips

4 CIRCUIT POWER ENTRY (POWER INFEED)

SKU	DESCRIPTION	LIST
XP-PE-8-WIRE-1	8-Wire Power Infeed	\$595



8-Wire Ceiling Power Infeed for Duplex Power Strip
NOTE: Compatible w/ all Duplex Power Strips

CEILING POWER ENTRY (POWER INFEED)

SKU	DESCRIPTION	LIST
XP-PE-CEILING-1	8-Wire Ceiling Power Infeed	\$935

TABLET ARM



SET SKU	DESCRIPTION	LIST
WKTABLET	Tablet arm for tool rail bar	\$709

KEYBOARD SETS

VALUE SET



SET SKU	DESCRIPTION	LIST
AKAVALUE	Our most popular set.	\$629

SET INCLUDES

SKU	DESCRIPTION	LIST
(Arm) WKARMEZS	21" track; 360° swivel; knobless +/- 15° tilt; 5.25" spring-assisted height adjustment	\$419
(Tray) WKTRAYVALUE	20" wide tray; vinyl-coated MDF material; leatherette-covered wrist rest; mouse tray w/ swivel function (can be used left or right handed)	\$265

VALUE SET EXTENDED



SET SKU	DESCRIPTION	LIST
AKAVALUEEXT	Extended version of the Value Set.	\$655

SET INCLUDES

SKU	DESCRIPTION	LIST
(Arm) WKARMEZX	23" track; 360° swivel; knobless +/- 15° tilt; 7.25" spring-assisted height adjustment	\$419
(Tray) WKTRAYVALUE	20" wide tray; vinyl-coated MDF material; leatherette-covered wrist rest; mouse tray w/ swivel function (can be used left or right handed)	\$265

BEST SET



SET SKU	DESCRIPTION	LIST
AKABEST	Named our Best Set for a reason.	\$1,145

SET INCLUDES

SKU	DESCRIPTION	LIST
(Arm) WKARMMINICOBRA	21" track; 360° swivel; soft touch wheel w/ +10°/-20° tilt; 8" height adjustment	\$689
(Tray) WKTRAY19	20" wide tray; graphite gray MDF material; foam wrist rest; mouse tray w/ gel mouse pad and fence (can be used left or right handed)	\$459

BEST SET EXTENDED



SET SKU	DESCRIPTION	LIST
AKABESTEXT	Extended version of our Best Set.	\$1,145

SET INCLUDES

SKU	DESCRIPTION	LIST
(Arm) WKARMCOBRA	23" track; 360° swivel; soft touch wheel w/ +10°/-20° tilt; 12.5" height adjustment	\$689
(Tray) WKTRAY19	20" wide tray; graphite gray MDF material; foam wrist rest; mouse tray w/ gel mouse pad and fence (can be used left or right handed)	\$459

ADJUST BASE SET



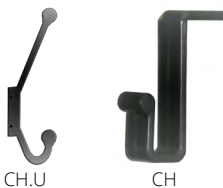
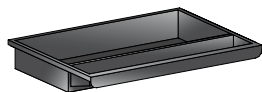
SET SKU	DESCRIPTION	LIST
WKETABLE	Keyboard set for Powered Adjustable Height Table	\$1,099

NOTE: Designed for 30" table tops only

SET INCLUDES

SKU	DESCRIPTION	LIST
(Arm) WKETABLE-MECH	11" track; 360° swivel; ratchet handle w/ +10°/-20° tilt; 5.75" height adjustment	\$689
(Tray) WKETABLE-TRAY	Graphite gray MDF material; foam wrist rest; mouse tray and fence (can be used left or right handed)	\$459

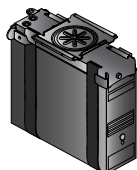
ORGANIZERS



CH.U

CH

CPU HOLDERS



WKEZCINCH



WKEZCINCH.METAL



WKTROLLY

PENCIL DRAWER

SKU	DESCRIPTION	LIST
PDN	Pencil Drawer - Black finish	\$159

COAT HOOK

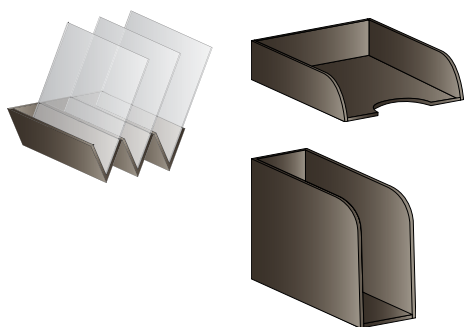
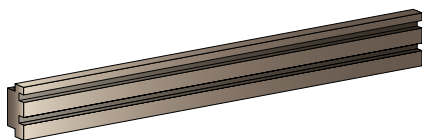
SKU	DESCRIPTION	LIST
CH	Coat Hook- BU Only- Plastic	\$7
CH-U-L	Left Coat Hook- Metal	\$28
CH-U-R	Right Coat Hook- Metal	\$28

NOTE: CH-U-L & CH-U-R available in BU, HF, LT, MS, MT & WF finishes.

COMPUTER CASE HOLDER

SKU	DESCRIPTION	LIST
WKEZCINCH	Strap Supported CPU under Desktop	\$489
WKEZCINCH.METAL	Metal Supported CPU under Desktop	\$565
WKTROLLY	Adjustable housing w/ wheels to secure CPU	\$709

TOOL RAIL BAR & ACCESSORIES



TOOL RAIL BAR

SKU	DESCRIPTION	LIST
TRB24	24" Tool Rail Bar	\$129
TRB30	30" Tool Rail Bar	\$159
TRB36	36" Tool Rail Bar	\$159
TRB42	42" Tool Rail Bar	\$169
TRB48	48" Tool Rail Bar	\$179
TRB60	60" Tool Rail Bar	\$235

NOTE: Available in BU, HF, LT, MS, MT and WF finishes. Tool Rail Bars are 3.5"H.

PAPER TRAYS

SKU	DESCRIPTION	LIST
TRBBH	Binder Holder- 4"W x 8"H	\$87
TRBDPT	Diagonal Paper Tray- 9"W x 12"H	\$159
TRBVPT	Vertical Paper Tray- 10"W x 3"H (Stackable)	\$87

NOTE: Available in BU, MT, MS and WF finishes.

WIRE MANAGEMENT



WIRE MANAGEMENT

SKU	DESCRIPTION	LIST
WM.XX	31.5" Data Wire Management for use w/ 30"H fixed height stations - BU or WF	\$169
WM-E	58" Data Wire Management for use w/ Powered Adjustable Height Tables	\$285

SEATING

Open Plan Systems is proud to offer over 40 seating options across multiple styles, from Stack/Nesting, Guest, Task, Executive and Spacious seating. We also offer multiple different color and material options to help customize any office!

HOW THE CHAIR FEATURES WORK

To help consolidate and standardize our chair features, we have implemented the below feature abbreviations into our chair descriptions. Simply refer to the chart below when identifying features across our robust seating collection.

CHAIR FEATURE KEY

PACKING		SEAT & BACK FINISHES		BASE FEATURES		ARM FEATURES	
2PK	2 Pack Purchase	BLKFS	Black Fabric Seat	BB	Black base	AF	Arms Fixed
4PK	4 Pack Purchase	BLKMS	Black Mesh Seat	C	Casters	AFB	Arms Adjust Forward/Back
6PK	6 Pack Purchase	BLUFS	Blue Fabric Seat	G	Glides	AIO	Arms Adjust In/Out
CHAIR TYPE		GRYMS	Gray Mesh Seat	SB	Sled Base	AUD	Arms Adjust Up/Down
CHT	Counter Height Task	GRYFS	Gray Fabric Seat	SBB	Swivel Black Base	BACK FEATURES	
EX	Executive	OLFS	Olive Fabric Seat	SCB	Swivel Chrome Base	BFH	Back Fixed Height
GST	Guest	BLKMB	Black Mesh Back	SHA	Seat Height Adjust	RB	Ratchet Back
HB	High Back	GRYMB	Gray Mesh Back	SS	Seat Slider	HR	Head Rest Included
HBT	High Back Task	OLMB	Olive Mesh Back	CONTROL FEATURES		HRC	Head Rest Compatible
MBT	Mid Back Task	BLKPS	Black Plastic Seat	F	Fixed		
S/N	Stack/Nesting	BLKPB	Black Plastic Back	KT	Knee Tilt Control		
SPT	Spacious Task	BLKVB	Vinyl Back	SS	Seat Slider		
		BLKVS	Vinyl Seat	ST	Synchro Tilt		
		PUSB	PU Seat & Back	TL&TA	Tilt Lock & Tension		
		LBLE	Leather Seat & Back				



ENGAGE: GUEST
GUEST

SKU	FEATURES	LIST
OPS-C8	2PK, GST, SB, BB, GRYMS, GRYMB	\$649



RELAX: FABRIC (BLACK)
TASK

SKU	FEATURES	LIST
OPS-B1FS	MBT, C, SBB, SHA, TL&TA, SS, ST, AIO, AUD, RB, BLKMS, GRYMB	\$715



LUMEN (BLUE)
TASK

SKU	FEATURES	LIST
OPS-L2.BLU	MBT, C, SBB, SHA, TL&TA, AFB, AIO, AUD, BFH, BLUFS, BLKMB	\$479



RELAX: FABRIC - ERGO STOOL
TASK

SKU	FEATURE KEY	LIST
OPS-B1FS-ERGO STOOL	CHT, C, G, SBB, SHA TL&TA, SS, ST AIO, AUD, RB, BLFS, GRYMB	\$759

Note: Comes with glides and casters.



LUMEN (BLACK)
TASK

SKU	FEATURES	LIST
OPS-L2.BLK	MBT, C, SBB, SHA, TL&TA, AFB, AIO, AUD, BFH, BLKFS, BLKMB	\$479



FOCUS
TASK

SKU	FEATURES	LIST
OPS-B4	MBT, C, SBB, SHA, TL&TA, SS, ST, AIO, AUD, RB, BLKVS, BLKPB	\$835



TRACK
TASK

SKU	FEATURES	LIST
OPS-T1	MBT, C, SBB, ST, SHA, TL&TA, SS, AIO, AUD, BLKFS, GRYMB	\$565



ASPIRE
TASK

SKU	FEATURES	LIST
OPS-A22	HBT, C, SCB, SHA, TL&TA, SS, ST, AFB, AIO, AUD, RB, BLKFS, GRYMB	\$939



RELAX
TASK

SKU	FEATURES	LIST
OPS-B1	MBT, C, SBB, SHA, TL&TA, SS, ST, AIO, AUD, RB, GRYMS, GRYMB	\$715



ENGAGE
TASK

SKU	FEATURES	LIST
OPS-B8	MBT, C, SBB, SHA, TL&TA, SS, ST, AIO, AUD, RB, GRYMS, GRYMB	\$715



EASE
TASK

SKU	FEATURES	LIST
OPS-B6	MBT, C, SBB, SHA, TL&TA, SS, ST, AIO, AUD, RB, BLKFS, GRYMB	\$835



INSPIRE
TASK

SKU	FEATURES	LIST
OPS-B3	HBT, C, SBB, SHA, TL&TA, SS, ST, AIO, AUD, HR, RB, GRYMS, GRYMB	\$889



OPTIONAL HEADRESTS
B1, B1FS, F980 ONLY

SKU	FEATURES	LIST
OPS-HR	For B1, B1FS (Black) and B1FS-ERGO STOOL	\$49
OPS-F980-HR. BLK	For F980	\$49



EASE: SPACIOUS
SPACIOUS

SKU	FEATURES	LIST
OPS-B6-300	SPT, C, SBB, SHA, TL&TA, SS, ST, AUD, RB, BLKFS, GRYMB	\$1,255



BOOST COUNTER HEIGHT KIT
B1, B1FS, B4, B6, B8 ONLY

SKU	FEATURES	LIST
OPS-B-CHKIT	Counter height conversion kit for B1, B1FS, B4, B6, B8	\$225

Note: Comes with glides, casters may be used from original chair.



IMPACT
SPACIOUS

SKU	FEATURES	LIST
OPS-B14	SPT, C, SBB, SHA, TL&TA, SS, ST, AUD, BLKFS, GRYMB	\$995



www.openplan.com | sales@openplan.com | 844.OPS.OPS1 | REV 4.01.2025

© 2025 Open Plan Systems. All Rights Reserved.

All content is subject to change. For the most current revision, visit www.openplan.com.