

# 6X6 2-PACK

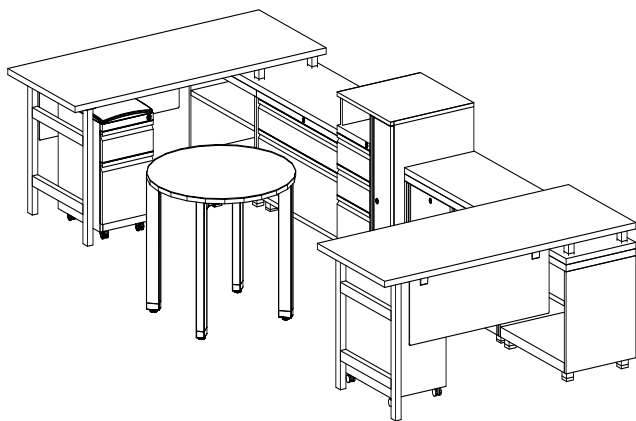
## DESKING SYSTEM TYPICAL



**3D RENDERING**

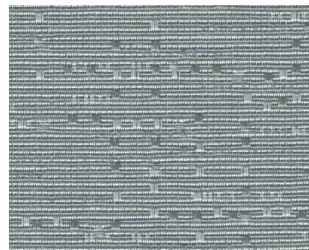
### STATION SPECIFICATIONS

- Desking System
- 6' x 6' Two Pack
- Box-File Mobile Pedestal
- Low Storage
- Frosted Modesty Panel



**3D PLAN LAYOUT**

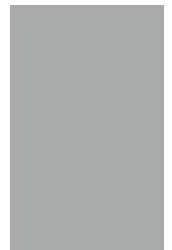
### FINISHES



**CUSHION FABRIC** Banter Topaz



**WORK SURFACE** Shadow Ridge



**PAINT & EDGE** MS

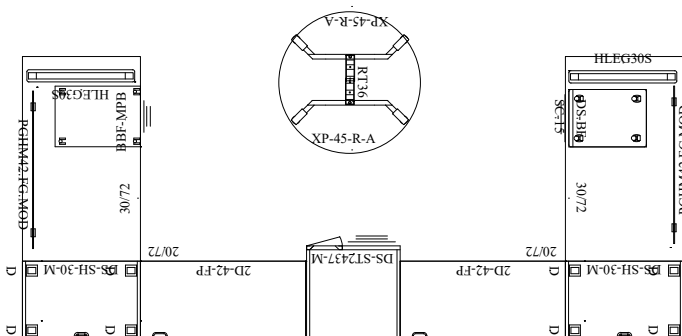
### PRICING

See next page for full BOM.

**\$23,341.<sup>00</sup> LIST TOTAL**

**\$11,670.<sup>50</sup> PRICE PER STATION**

Typical pricing is for reference only.  
Pricing must be confirmed via official  
Price Book or Customer Service.



**2D PLAN LAYOUT**

# 6X6 2-PACK

## DESKING SYSTEM TYPICAL



### PRICING

Part Number	Part Description	Qty	List	Ext List
BBF-FP-MPB	BOX/BOX FILE, FULL PULL BUDGET MOBILE 21"D	1	\$905.00	\$905.00
DOCKLEG	3"H Docking Leg w/Adj Glide for Desking	8	\$75.00	\$600.00
DS-2D-42-FP-M	42"W x 20"D x 24"H Low Storage, Metal 2 Drawer, Full Pull	2	\$2,985.00	\$5,970.00
DS-BF-FP-M	Low Metal Mobile Box/File- Full Pull	1	\$1,249.00	\$1,249.00
DS-SC15	14.6"W Seat Cushion for Desking B/F Pedestal	1	\$189.00	\$189.00
DS-SH-30-M	30"W x 20"D x 24"H Low Storage, Metal Open Shelf	2	\$1,565.00	\$3,130.00
DS-ST242437-M	24"W X 24"D X 37H Metal Storage	1	\$3,675.00	\$3,675.00
HLEG30S	Square H-Leg for 30"D Surface	2	\$565.00	\$1,130.00
PGHM42-FP-MOD	40" MOD PANEL FOR 42" W/S - FROST PLEXI GLASS	2	\$619.00	\$1,238.00
RT36	36" Round Table (No Hardware Or Base)	1	\$729.00	\$729.00
TT2072	20"D x 72"W Laminate Top for Low Storage Desking	2	\$699.00	\$1,398.00
TT3072	30 X 72 Training Table Top (No Hardware Or Bases)	2	\$889.00	\$1,778.00
XP-45-R-A	RECT 45 DEGREE LEG ASSEMBLY	2	\$675.00	\$1,350.00

**\$23,341.<sup>00</sup> LIST TOTAL**

**\$11,670.<sup>50</sup> PRICE PER STATION**

Typical pricing is for reference only.  
Pricing must be confirmed via official  
Price Book or Customer Service.