

30X60 BENCHING 8-PACK

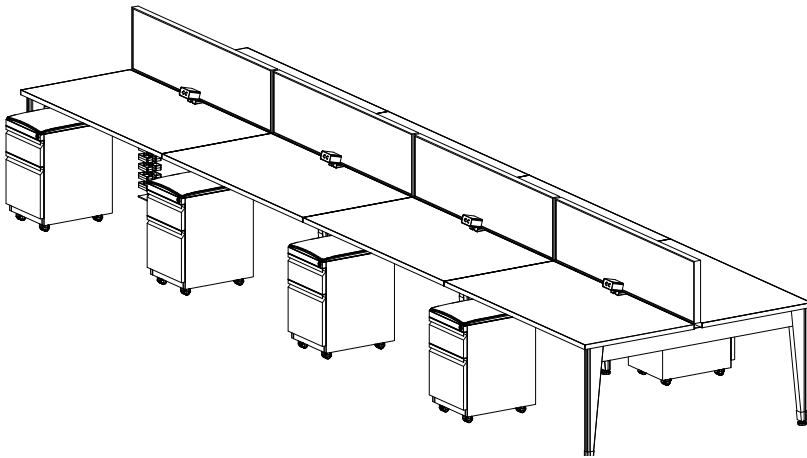
XPAND SYSTEM TYPICAL



STATION SPECIFICATIONS

- XPand System
- Reach Benching Double Stations
- 30"x60" - 8-Pack
- Fabric screens
- Desktop power duplex
- Tapered cast aluminum legs
- BF-FP mobile pedestal

3D RENDERING



FINISHES



FABRIC
Whisper Serenity



SURFACE
Fog



PAINT
BU

PRICING

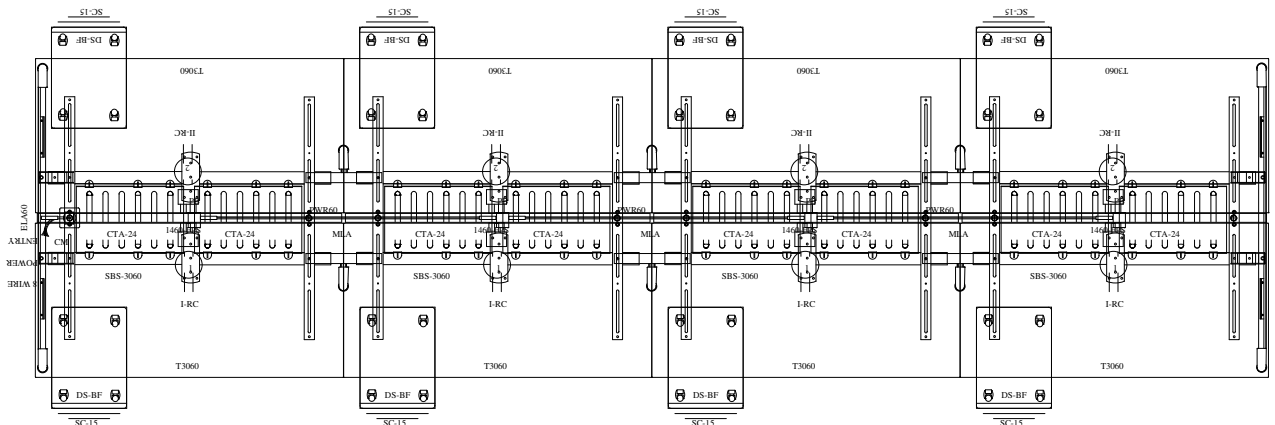
See next page for full BOM.

\$37,848.00 LIST TOTAL

\$4,731.00 PRICE PER STATION

Typical pricing is for reference only.
Pricing must be confirmed via official
Price Book or Customer Service.

3D PLAN LAYOUT



2D PLAN LAYOUT

30X60 BENCHING 8-PACK

XPAND SYSTEM TYPICAL



PRICING

| Part Number | Part Description | Qty | List | Ext List |
|-----------------|---|-----|------------|------------|
| DS-BF-FP-M | Low Metal Mobile Box/File- Full Pull | 8 | \$1,249.00 | \$9,992.00 |
| DS-SC15 | 14.6"W Seat Cushion for Desking B/F Pedestal | 8 | \$189.00 | \$1,512.00 |
| XP-1460-TS-A | 15" X 60" FABRIC SCREEN ASSEMBLY SQUARE EDGES | 4 | \$1,319.00 | \$5,276.00 |
| XP-CM-24 | FLOOR ENTRY WIRE MANAGEMENT- BENCHING | 1 | \$235.00 | \$235.00 |
| XP-CTA-24 | CABLE TRAY 24" W/CLIPS | 8 | \$129.00 | \$1,032.00 |
| XP-DUPLEX-I-RC | DUPLEX / REAR CLAMP DESK MOUNT | 4 | \$295.00 | \$1,180.00 |
| XP-DUPLEX-II-RC | DUPLEX / REAR CLAMP DESK MOUNT | 4 | \$295.00 | \$1,180.00 |
| XP-ELA60 | CAST ALUM END LEG ASSEMBLY DOUBLE 60"W | 2 | \$1,099.00 | \$2,198.00 |
| XP-ML-A | CAST ALUM MID LEG ASSEMBLY - DOUBLE | 3 | \$719.00 | \$2,157.00 |
| XP-PB-A | POWER BLOCK | 4 | \$105.00 | \$420.00 |
| XP-PE-8-WIRE | BASE ELECTRICAL POWER ENTRY FOUR CIRCUIT | 1 | \$595.00 | \$595.00 |
| XP-PWR60-A | 8 WIRE POWER LINE JUMPER 60" | 3 | \$505.00 | \$1,515.00 |
| XP-SB-SET-3060 | STRETCHER BAR SET 30"D X 60"W | 4 | \$1,329.00 | \$5,316.00 |
| XP-T3060 | 30" x 60" XPAND RECTANGULAR TOP - NO | 8 | \$655.00 | \$5,240.00 |

\$37,848.00 LIST TOTAL

\$4,731.00 PRICE PER STATION

Typical pricing is for reference only.
Pricing must be confirmed via official
Price Book or Customer Service.