

# 30X60 67H 6-PACK

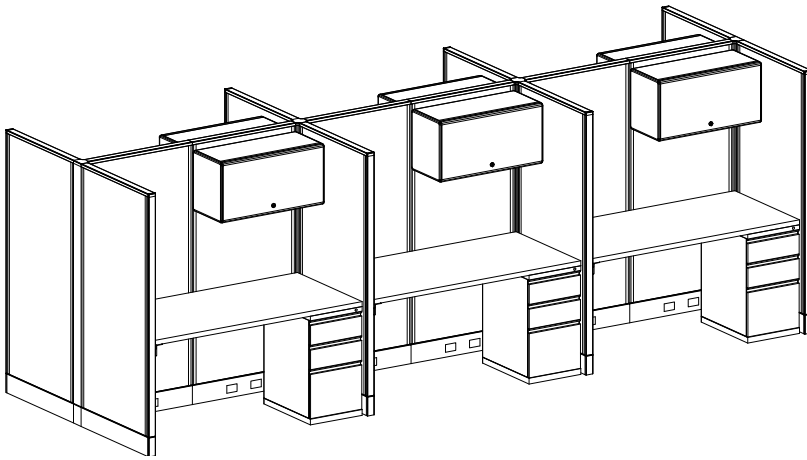
## RAZOR SYSTEM TYPICAL



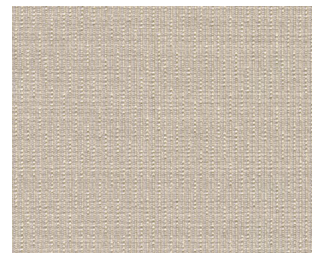
### STATION SPECIFICATIONS

- Razor System
- Monolithic panels
- 30" x 60" - 6-Pack
- 67" panel height
- Base feed power
- 4 power REC/station
- Power down the spine
- BBF-FP storage pedestal
- Overhead flipper door unit

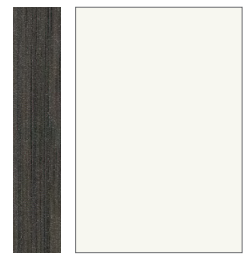
### 3D RENDERING



### FINISHES



**FABRIC**  
Dashing Refined Marble



**SURFACE & EDGE**  
Shadow Ridge

**PAINT**  
WF

### PRICING

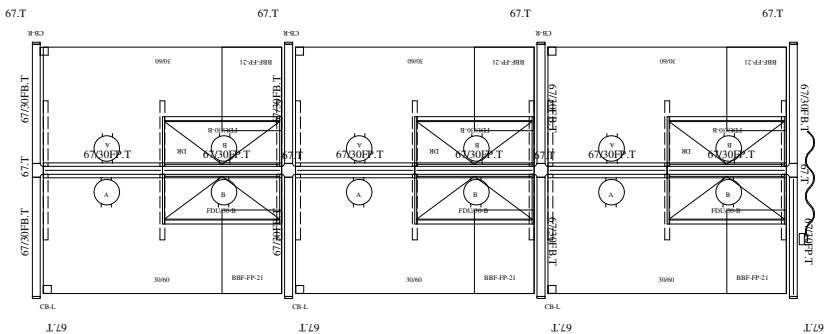
See next page for full BOM.

**\$35,603.<sup>00</sup> LIST TOTAL**

**\$5,933.<sup>83</sup> PRICE PER STATION**

Typical pricing is for reference only.  
Pricing must be confirmed via official  
Price Book or Customer Service.

### 3D PLAN LAYOUT



### 2D PLAN LAYOUT

# 30X60 67H 6-PACK

## RAZOR SYSTEM TYPICAL



### PRICING

Part Number	Part Description	Qty	List	Ext List
3WY67A2.T	67" 3 WAY CONNECTOR - THIN BASE	2	\$419.00	\$838.00
4WY67A2.T	67" 4 WAY CONNECTOR - THIN BASE	2	\$529.00	\$1,058.00
BBF-FP-21	BOX/BOX/FILE PEDESTAL FULL PULL 21"D W/OUT TOP	6	\$989.00	\$5,934.00
CRNRBR- LEFT	CORNER BRACKET (SPEC L OR R)	3	\$16.00	\$48.00
CRNRBR- RIGHT	CORNER BRACKET (SPEC L OR R)	3	\$16.00	\$48.00
EC67A2.T	67" END CAP W/ THIN BASE	8	\$105.00	\$840.00
F6730.T	67 X 30 FABRIC PANEL - THIN BASE	7	\$915.00	\$6,405.00
F6730P.T	67 X 30 FABRIC PANEL - POWERED THIN BASE	7	\$1,339.00	\$9,373.00
FDU3012B	30 X 12 FLIPPER DOOR UNIT- B STYLE	6	\$709.00	\$4,254.00
PEK4 (L OR R)	4 CIR. BASE POWER ENTRY KIT	1	\$709.00	\$709.00
PTP62	62" PANEL TO PANEL CONNECTOR	3	\$42.00	\$126.00
REC/A.T	A CIRCUIT DUPLEX RECEPTACLE - THIN BASE	6	\$60.00	\$360.00
REC/B.T	B CIRCUIT DUPLEX RECEPTACLE - THIN BASE	6	\$60.00	\$360.00
WS3060	30 X 60 WORK SURFACE	6	\$875.00	\$5,250.00

**\$35,603.00 LIST TOTAL**

**\$5,933.83 PRICE PER STATION**

Typical pricing is for reference only.  
Pricing must be confirmed via official  
Price Book or Customer Service.