

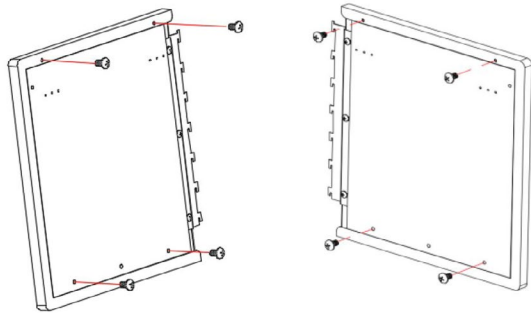
Evo 2.5 Overhead Binder Bin



Installation Guide

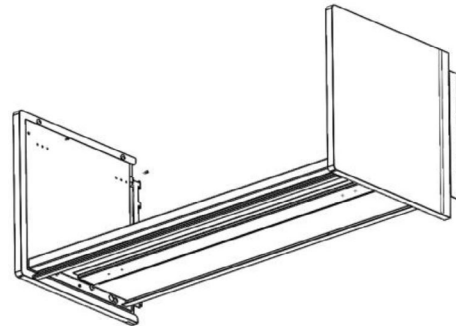
Step 1

- 1.1 Insert Screws #1 into the right/ left end bell.
- 1.2 Insert 1/3 of the total screw length.



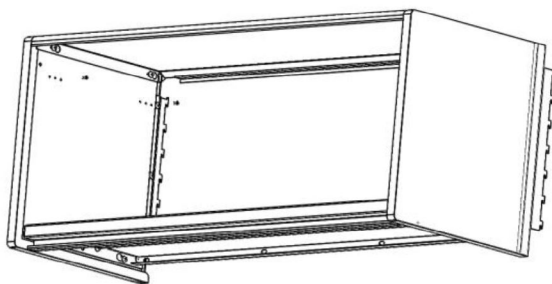
Step 2

- 2.1 Insert Screws #1 into the hardy hole on the bottom shelf.
 - 2.2 Tighten Screws #1 to fix the bottom shelf with the end bells.
- NOTE: Remember to safe 23mm soace for door installation.



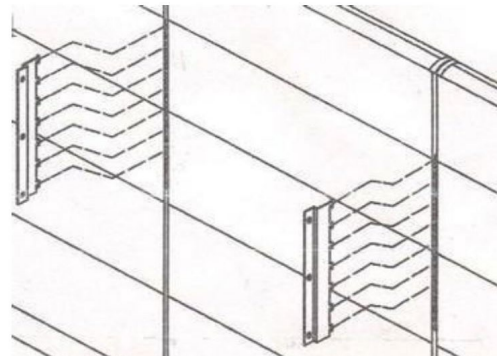
Step 3

- 3.1 Insert Screws #1 into the hardy hole on the top shelf.
- 3.2 Push top shelf backward to position and tighten Screws #1.



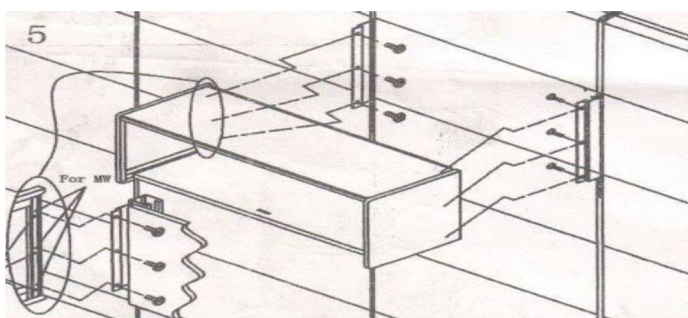
Step 4

- 4.1 Angle the top 2 way hook of the cantilever into the vertical channel on the frame.
- 4.2 Rotate the rest of the teeth into position and depress the entire cantilever to secure.



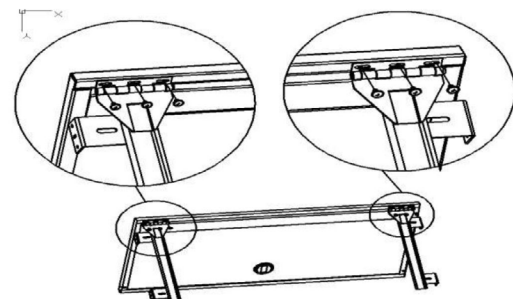
Step 5

- 5.1 Match the position of the whole binder bin with the cantilever.
- 5.2 Tighten with 3 pieces of Screws #2 on each side.



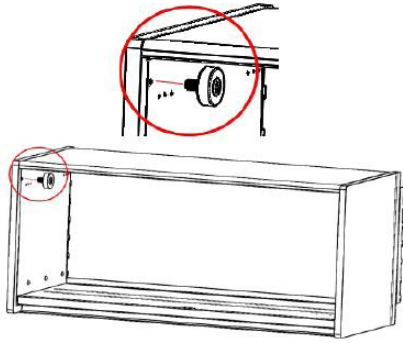
Step 6

- 6.1 Use the farthest side of oblong hole to connect sliders and door connecting strip.
- 6.2 Tighten with Screws #3.



Step 7

7.1 Tighten the glidewheels with Screws #4.

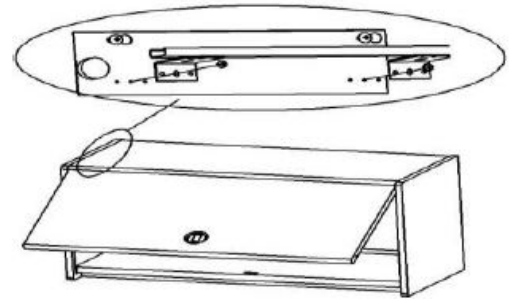


Step 8

8.1 Match the position with oblong holes central and the top shelf holes.

8.2 Tighten the sliders on top shelf with Screws #3.

NOTE: The oblong hole position is adjustable in order to adjust the door space. Please make sure the position is the same on both side.

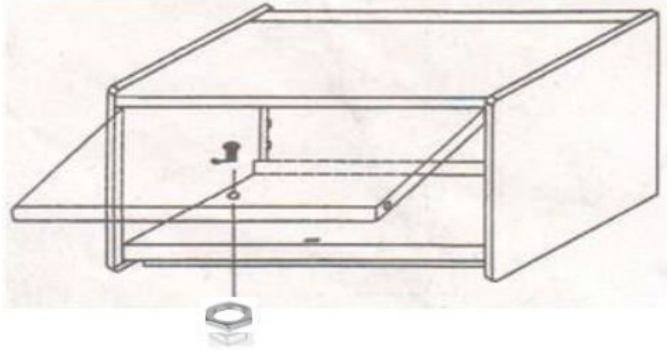


Step 9

9.1 Insert the lock into lock hole on the door.

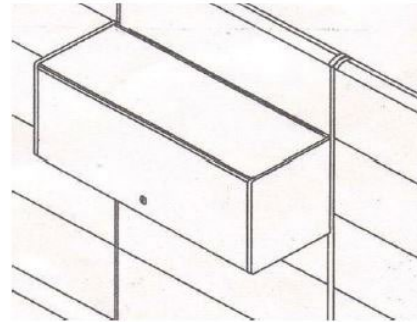
9.2 Put the hexagon nuts on the other side of the door.

9.3 Tighten the lock.

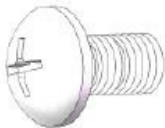
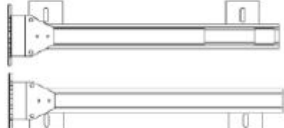







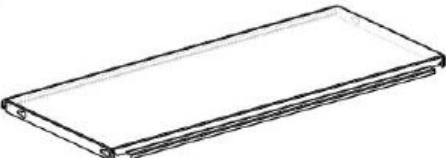
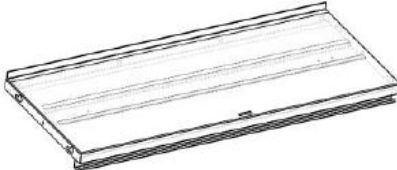
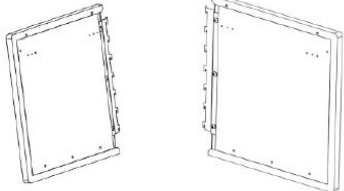


Step 10

10.1 Flip down the door and complete assembling.



Parts

 Screw #1 x 10 pcs	 Slider x 1 pair	 Screw #3 x 10 pcs		 Door x 1 piece
 Screw #2 x 6 pcs	 Cantilever x 1 pair	 Screw #4 x 2 pcs	 Lock x 1 pair	
 Top Shelf x 1 piece	 Bottom Shelf x 1 piece	 Right/Left End Bell x 1 pair		