

Classic VT Base

Height Adjustable Desk

Assembly Guide And User Manual



NUMBER OF PEOPLE
X2



ASSEMBLY TIME
15 MINUTES



PLEASE ASSEMBLE
ON THE CARPET

This desk can only be used with the electric control system provided (This product must be powered on). All personnel responsible for the installation and maintenance of this table should read the instructions carefully.













Transportation

Please handle with care and avoid products falling.













Assembly

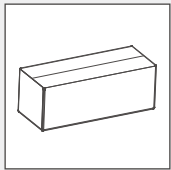
-  Check package contents for completeness or damage before assembly.
-  Check the product appearance and wire for obvious damage, do not install or operate products if damaged.
-  Make sure the product is not connected to a power source during assembly.
-  Ensure that there are no unnecessary obstacles near the assembly area.
-  Ensure that personnel with limited knowledge to respond to hazards are not involved in the assembly process.
-  Children are not allowed to participate in the assembly process to avoid accidentally swallow the installation parts.
-  Do not immerse any components in liquid and clean only with a dry or slightly damp cloth.
-  Do not place any wires under continuous heating source.
-  Be careful not to trip over the wires and to prevent entanglement (between wires and wires, between wires and people).
-  Please be careful to avoid electric shock when plugging in.



Using

-  Persons without permission (Children with limited knowledge to potential hazards, people affected by drugs, etc.) should not use, clean or maintain equipment without supervision.
-  Don't sit or stand on the desk.
-  Power the desk off first, and then go under the desk to fix the table top or clean it.
-  Avoid injury caused by collision with desk corners.
-  The desk should not be used in obstructed areas, such as under window edges, cabinets, etc. Please used the desk over 5cm away from the wall.
-  When resetting the desk, please remove everything under the desk, such as chair, cabinet.
-  Please adjust the height of the desk to the lowest and remove all things on the table top before moving the table.
-  Children are not allowed to play with products as toys.
-  After 1 week of use, check that the screws are properly tightened.
-  Before first use, make sure all parts are properly assembled and connected.

Models	Classic VT Base
Metal Desk Top Dimensions	46" - 72"
Height Range	26.4" - 45.8"
Rated Load	1000N
Standard Color	BU / MS
Max.Speed	1.26 in/sec 32mm/s
Number of Motors	2
Weight	57 lbs.
Noise	≤50dB
Duty cycle	S2-20 min.Continuous work for most 2 minutes in a period of 20 minutes
Working Environment	Indoor



M6*14 Machine screw
x8

M6*10 Machine screw
x4

ST5*20 Wood screw
x27

ST5*16 Wood screw
x2

PDQ cable clip
x5

Cable clip
x5

4mm Allen wrench
x1

Power cord
x1

1.3m cable
x1



Classic VT Frame
x2

Big adjustable stiffener
x1

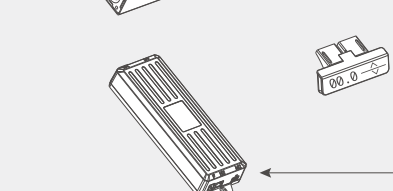
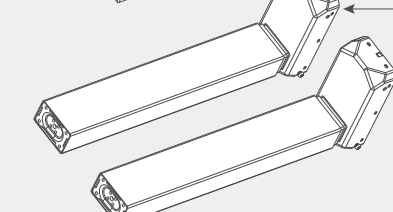
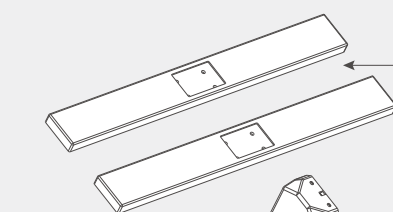
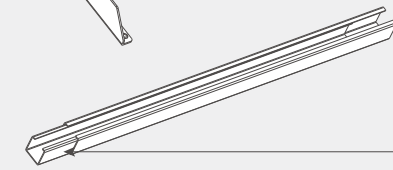
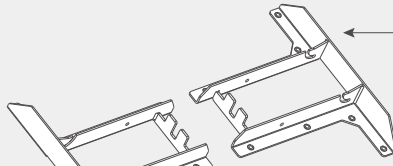
Small adjustable stiffener
x1

Foot
x2

Column
x2

Handset
x1

Control Box
x1



PARTS LIST - BOX 2

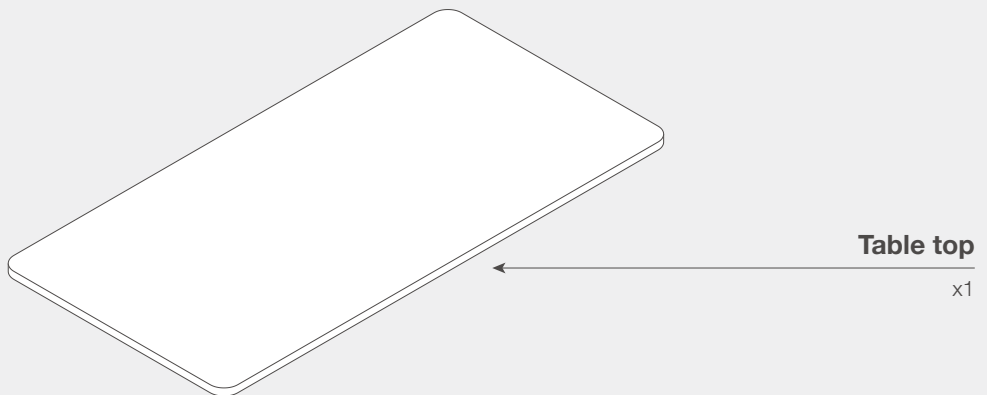
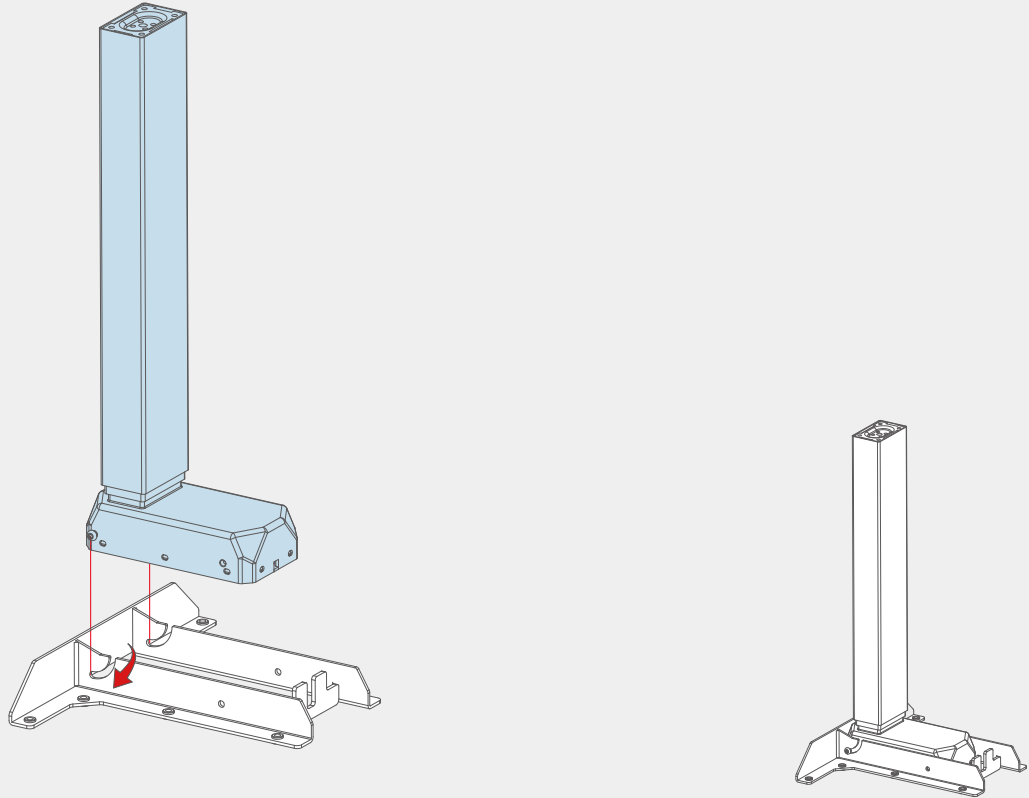


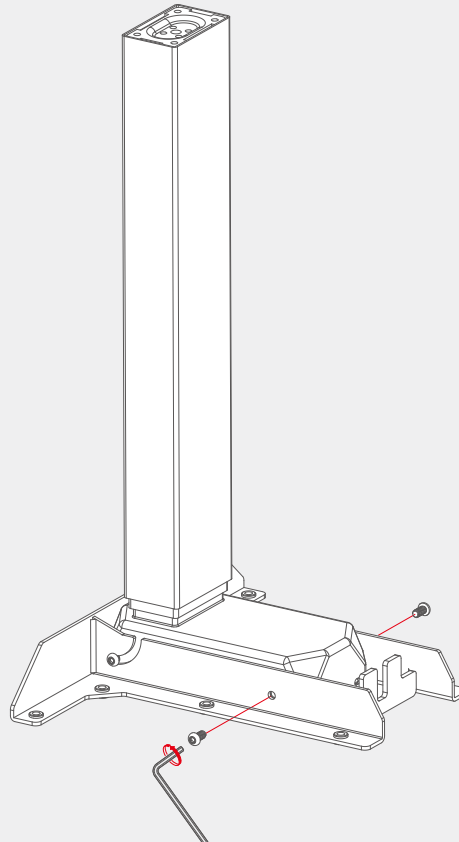
Table top
x1

Attention: Package does not include table top.

01



02

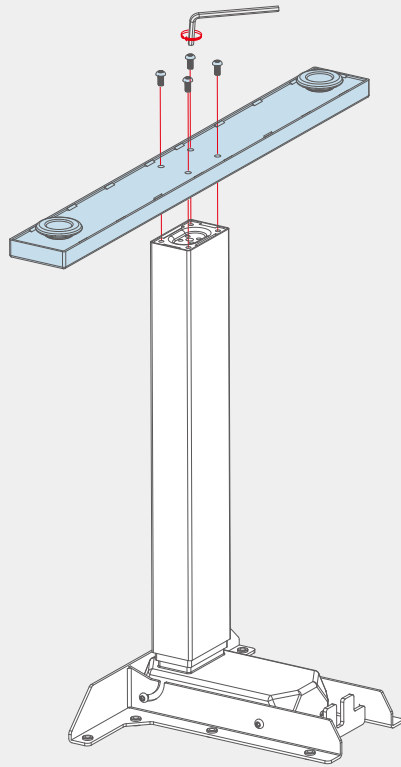


M6*10 machine screw



Wrench

03



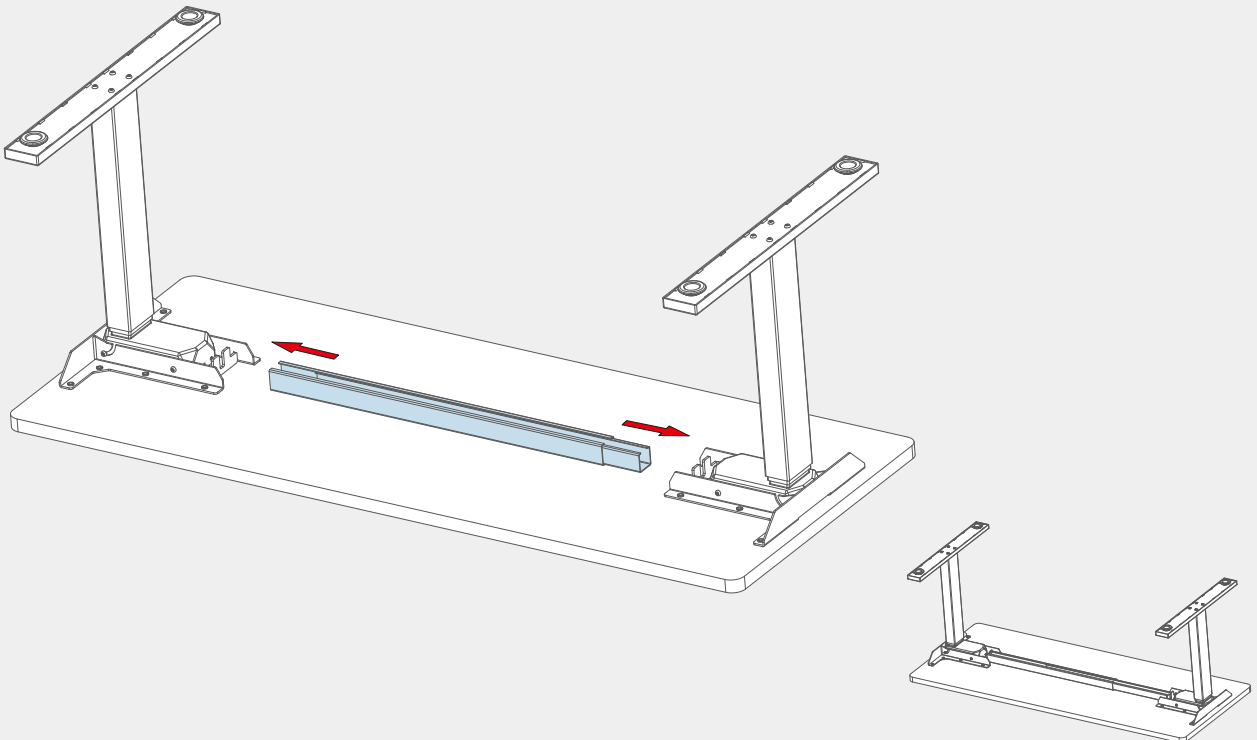
X 8

M6*14 screws

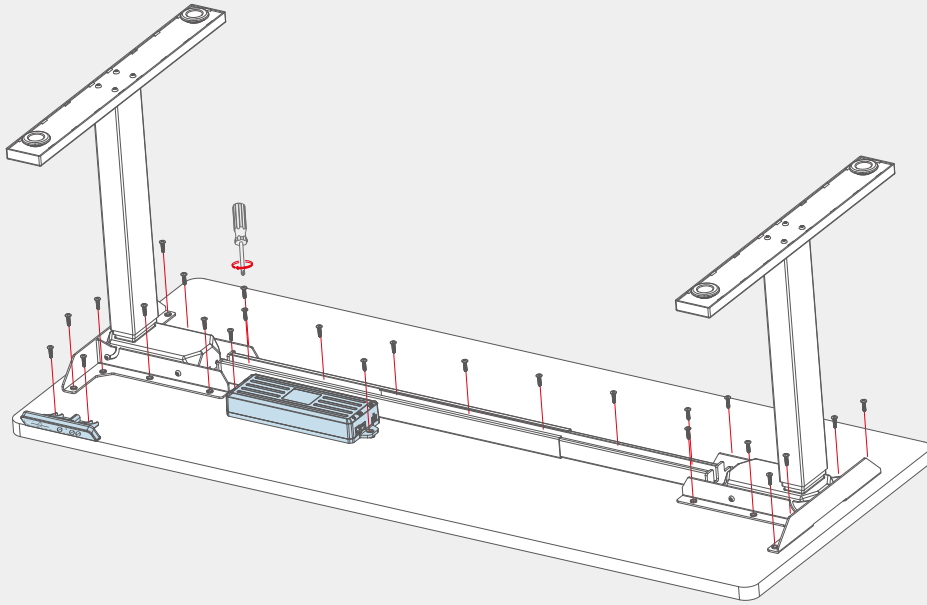


Wrench

04



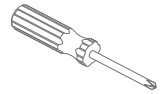
05



ST5*16 wood screw

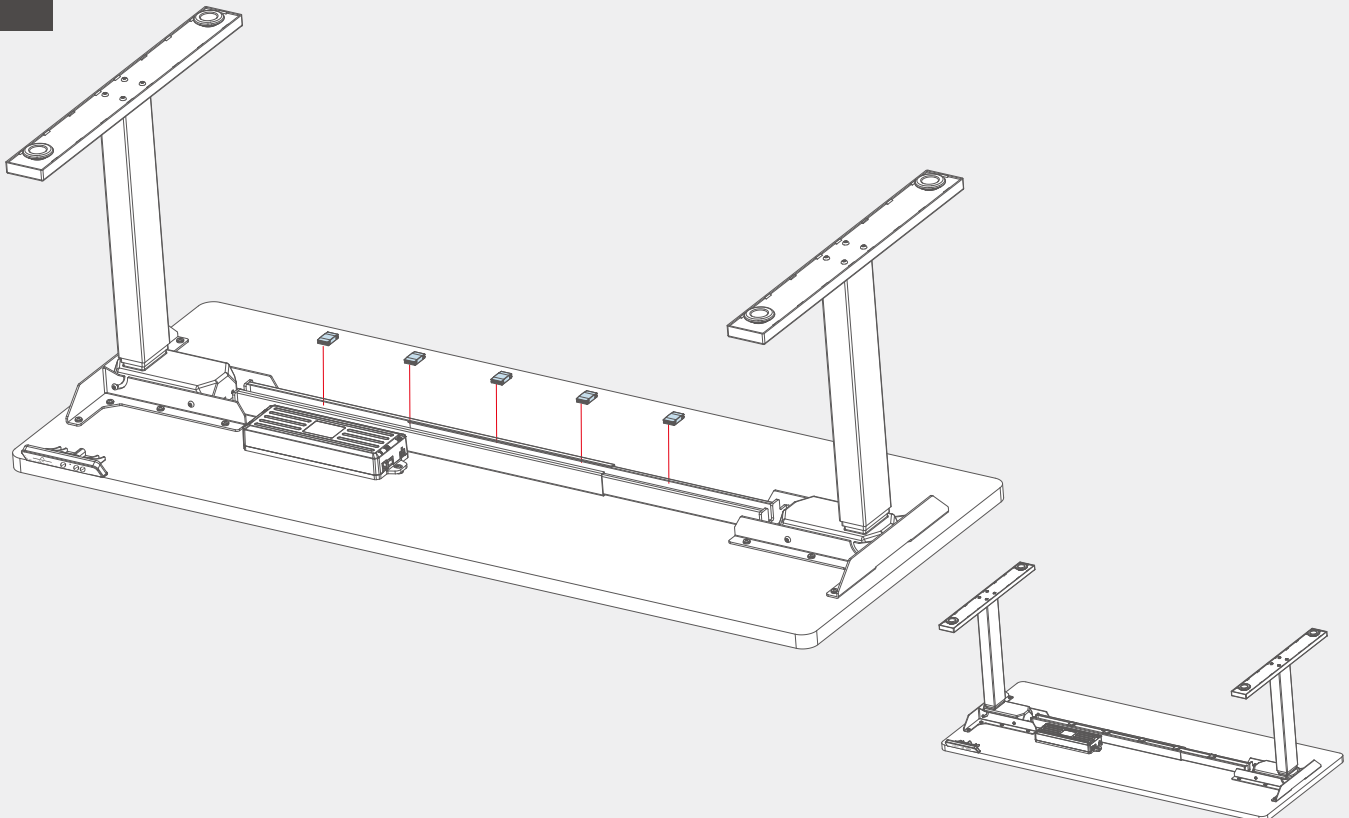


ST5*20 wood screw

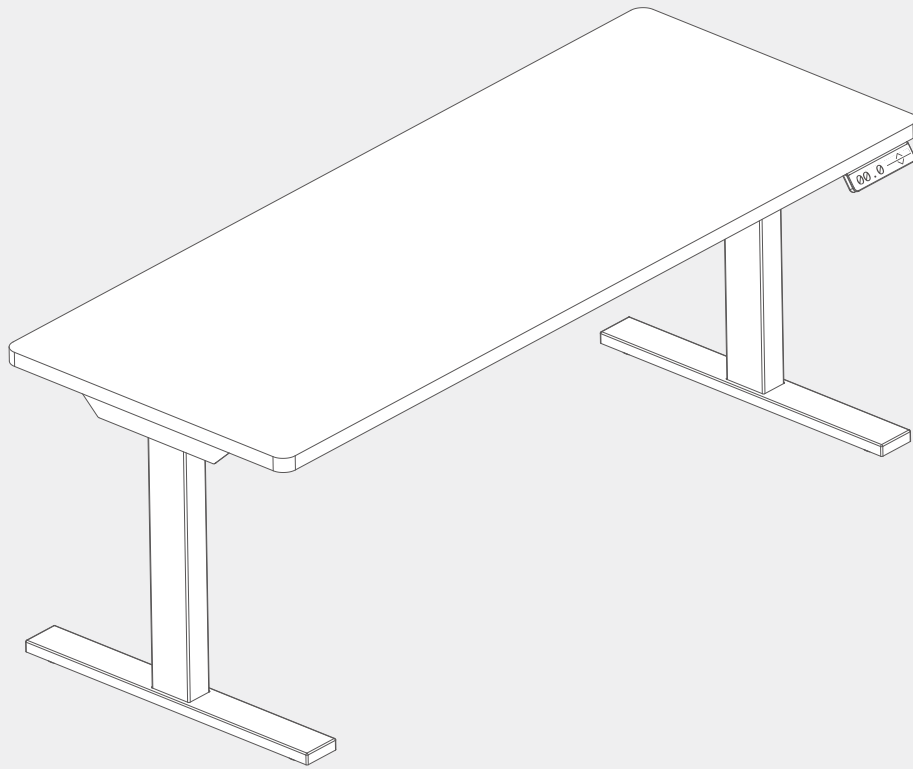


Screwdriver


06



07



USE

-  Make sure no obstacles are in the desk's path.
-  Make sure the desktop is not touching any walls.

Make sure all cords are appropriate length to accommodate the change in height.

IMPORTANT: You must RESET the desk prior to use.

RESET PROCEDURE: Press and hold the DOWN button on the Handset (part 7) until the desk reaches its lowest height. Release the DOWN button. Press and hold the DOWN button again until the LED display reads "RST" or about 10 seconds on non-LED handset models. Release the DOWN button. Press and hold the DOWN button again until the desk lowers a little bit more, slightly rises and stops. Release the DOWN button. Your desk is now ready to use.

The desk base can be adjusted by pressing and holding either the UP or DOWN button until the desired height is reached.

To program up to four presets (on some models): Use the up/down buttons to find a desired height, then press "M" followed by a number 1 - 4.

CAUTION: Once a preset button is pushed, the desk will move to the programmed height (see caution box above).

TROUBLE SHOOTING

If your desk is not functioning properly it may need to be reset. Follow the RESET procedure outlined in the USE section.

If your desk has a handset with an LED readout and it displays "RST" (reset), perform the reset procedure outlined in the USE section.

If the LED readout displays an error message ("Er 1" - "Er 13") confirm that all wired connections are secure (legs to cables, cables to control box). Then perform the reset procedure outlined in the USE section.

If the error message persists after the reset procedure, contact your seller.

If the height between the legs exceeds 1.5 inches, stop the reset procedure & contact your seller.

If the handset displays "HOT", let the base cool down for 20 minutes.

PROGRAMMING (some models)

Press the DOWN button on the Handset (part 7) until the base reaches its lowest position. Press and hold the DOWN button again until the LED display reads "RST".

Press and hold the 1 button (about 5 seconds) while the LED flashes "RST" and then switches to either: 

10.1= One-Touch


10.2= Constant-Touch

Release the 1 button. Press the 1 button again until the desired setting is reached. Once the chosen setting is displayed, release the button and wait about 5 seconds for the display to return to "RST".

Finish the reset process by pressing and holding the DOWN button until the desk lowers a little bit more, slightly rises and stops. Release the button. The new program setting is saved and your desk is now ready to use.

SETTING THE LED RETRACTED HEIGHT (some models)

Press the DOWN button on the Handset (part 7) until the base reaches its lowest position. Measure the distance from floor to the top surface of the desktop. If the number on the LED display does NOT match your measurement, follow these steps:

Press and hold the DOWN button until the LED display reads "RST".  Press and hold the "M" button (about 5 seconds) until the LED displays the flashing height. (If the display returns to "RST" before the next step is taken, repeat this step.) Use the UP/DOWN buttons to change the value of the starting height so that it matches your measurement. Wait about 5 seconds and the display will return to "RST."

Finish the reset process by pressing and holding the DOWN button again until the desk lowers a little bit more, slightly rises and stops. Release the button. The new starting height value is saved and your desk is now ready to use.

Note: the LED display has a ± 0.1 tolerance.

SETTING THE UPPER & LOWER LIMITS (some models)

This base is designed to go to its minimum and maximum heights, allowing for the widest possible range. If you prefer to change the settings to a more narrow range, follow these steps:

Make sure the power is ON and a number reads in the LED display (if no number appears, please follow the Reset procedure described in the USE section).

To Set the Upper-Limit Position:

Use the UP/DOWN buttons to move the base to the desired maximum-height position. Press the "M" button and release. Press the UP button and release. The LED display will flash "S-" Press and hold the button (about 2 seconds) until the LED display changes to "999". The display will automatically return to the selected height. The new upper limit is now set.

To Set the Lower-Limit Position:

Use the UP/DOWN buttons to move the base to the desired minimum-height position. Press the "M" button and release. Press the DOWN button and release. The LED display will flash "S-" Press and hold the "M" button (about 2 seconds) until the LED display changes to "000". The display will automatically return to the selected height. The new lower limit is now set.

To Remove the Upper/Lower Limit Positions:

Press and hold the "M" button until the LED display flashes "S-" and then release it. Within 5 seconds, press the "M" button again and hold for 2 seconds. The LED display will change to "555" and then automatically return to the height display. The upper and lower limits are now removed.



RESET procedure requires the desk base to full retract (beyond any lower limit set), Please ensure that you have the proper clearance below the desk base.

After the upper and lower limits are set, the previous memory positions (1, 2, 3, 4) may be outside the new range of movement. If so, simply reset the memory positions.

If you attempt to revise a previously set upper or lower limit and it is outside of the existing range, you will need to remove the previously set upper/lower limits first.

HANDSET LOCK (some models)


To lock the handset:

Press and hold the "M" button (about 8 seconds) until the LED display switches to "S-" and then to "LOC". Release the button.

To unlock the handset:

Press and hold the "M" button (about 8 seconds) until the LED switches from "LOC" to the height display. Release the button.

CHANGING INCHES TO CENTIMETERS (some models)

Press the DOWN button on the Handset (part 7) until the base reaches its lowest position. Press and hold the DOWN button again until the LED display reads "RST". 

Press and hold the 2 button (about 5 seconds) while the LED flashes "RST" and then switches to either:


10.3= cm

10.4= inches

Release the 2 button. Press and hold the 2 button again until the desired setting is reached. Once the chosen setting is displayed, release the button and wait about 5 seconds for the display to return to "RST".

Finish the reset process by pressing and holding the DOWN button until the desk lowers a little bit more, slightly rises and stops. Release the button. The new measurement setting is saved and your desk is now ready to use.

CHANGING ANTI-COLLISION SENSITIVITY (some models)

Press the DOWN button on the Handset (part 7) until the base reaches its lowest position. Press and hold the DOWN button again until the LED display reads "RST". 

Press and hold the UP button (about 5 seconds) while the LED flashes "RST" and then switches to either:

10.5= 10 kg. pressure (most sensitive)

10.6= 15 kg pressure (middle setting)

10.7= 20 kg pressure (least sensitive)

Release the UP button. Press and hold the UP button again until the desired setting is reached. Once the chosen setting is displayed, release the button and wait about 5 seconds for the display to return to "RST".

Finish the reset process by pressing and holding the DOWN button until the desk lowers a little bit more, slightly rises and stops. Release the button. The new anti-collision sensitivity setting is saved and your desk is now ready to use.