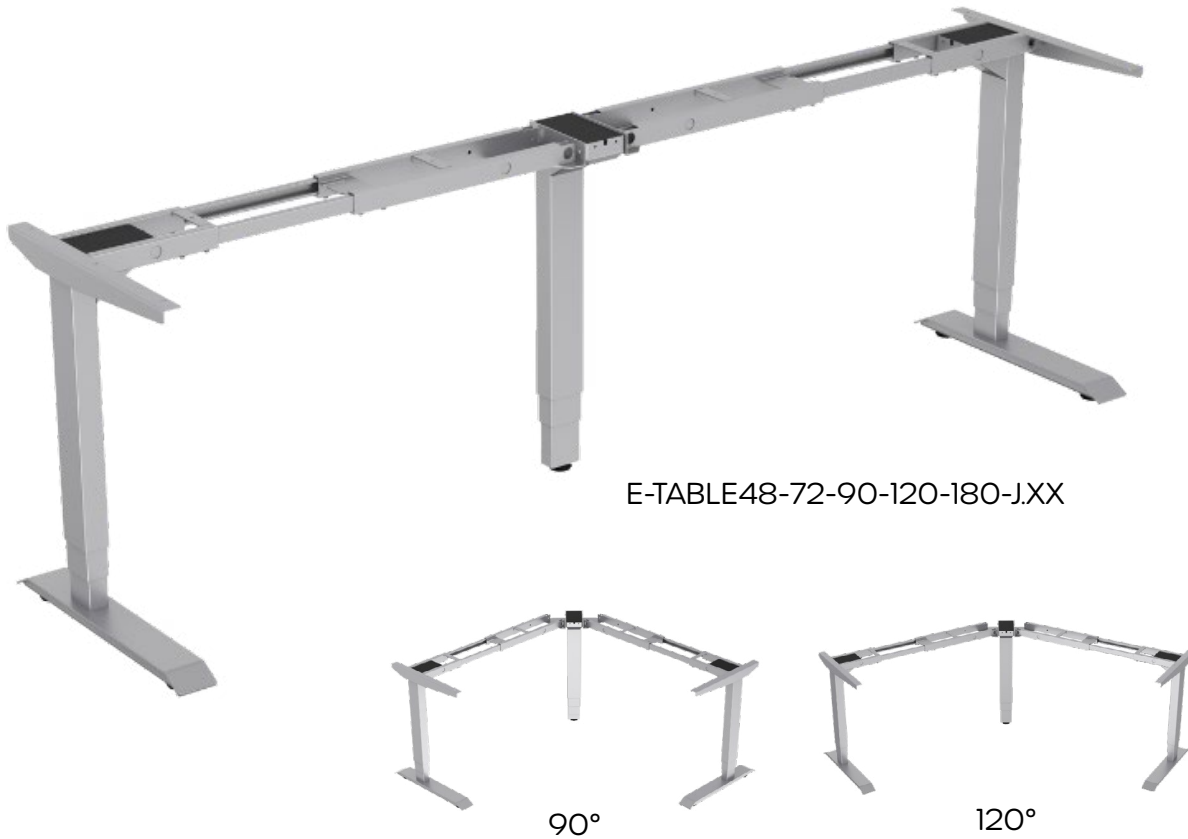


# Introducing the 3-in-1 Conversion Base



## Revolutionize Your Workspace with Ergonomic Efficiency

Seamlessly transition from Straight to 90 degrees to 120 with just 1 base. Available now in **BU** and **WF** Finishes. **MS** and **MT** finishes available in August.



**Note:** Tops and accessories sold separately. 120 bases only available with 24"D tops. Straight total top widths must range from 87" minimum to 132" maximum.

# Introducing the 3-in-1 Conversion Base

