

# DUAL MONITOR ARMS

## OVERVIEW

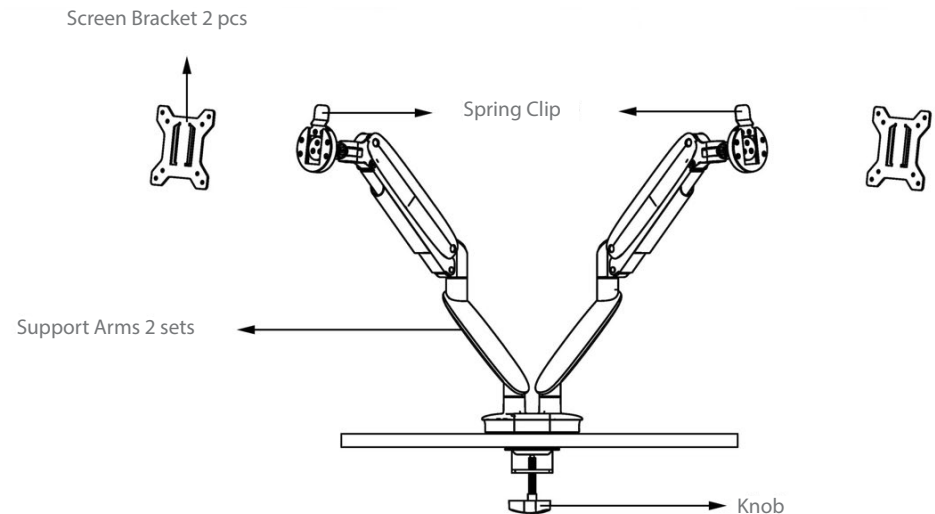
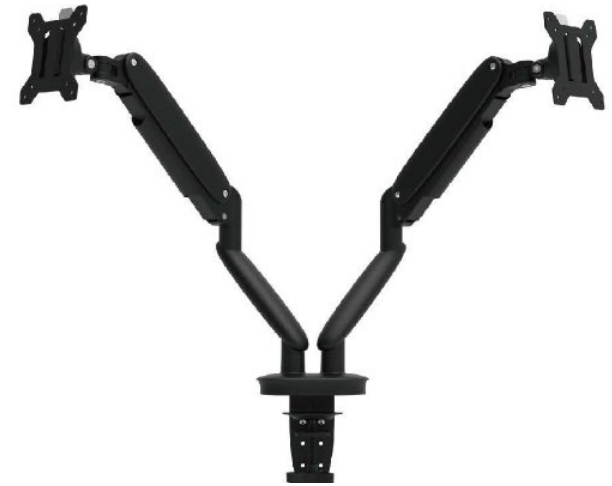
A gas powered option

### Available Products

SKU	Description	List Price
OPS-201.BU-1	Dual Monitor Arm	\$709

### OPS-201.BU-1

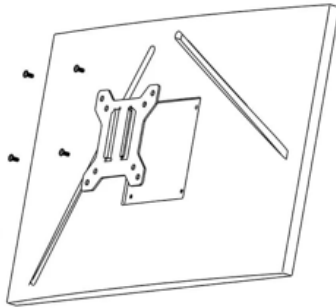
- Dual Monitor Arm
- Gas spring lift
- VESA compatible mount
- Clamp or grommet mount (both included)
- Up to 30" monitor size limit
- 3.3 - 16.5 lbs monitor weight limit each



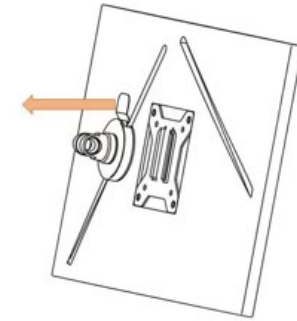
# DUAL MONITOR ARMS

## SPECIFICATIONS

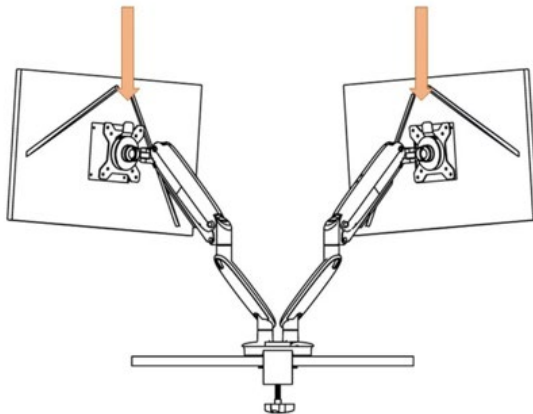
### OPS-201.BU-1



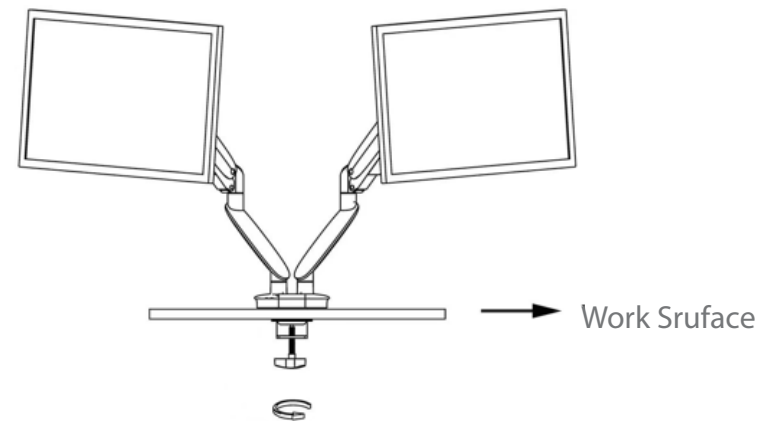
Step 1: Assemble the computer screen and screen bracket together with four 4\*10 bolts.



Step 2: Push the spring clips, slide the screen stand attached to the computer screen house.



Step 3: The computer screen and laptop slide into the house and release the spring clips.



Step 4: Install the finished computer arms on the work surface and tun the knob until tightened.