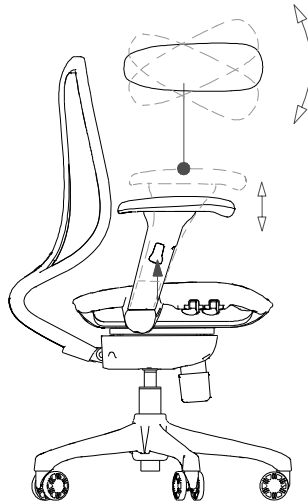




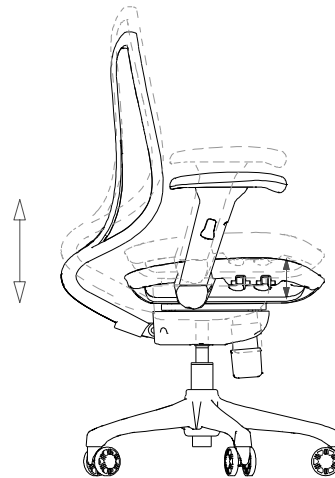
1. Height, tandem and radian of armrest (Both sides of the armrest could be adjusted).

- a. The height of armrest could be adjusted freely by pressing the button under the armrest.
- b. It could be adjusted to left or right manually.



2. Height of seat

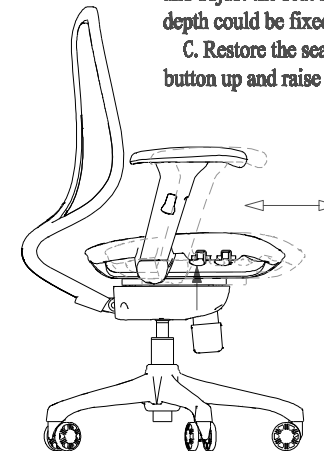
Press the button under the right side of seat to adjust appropriate height. The height could be fixed after unclenching your hand.



3. Seat depth adjustable

Press the second button under the right side of seat to adjust appropriate depth

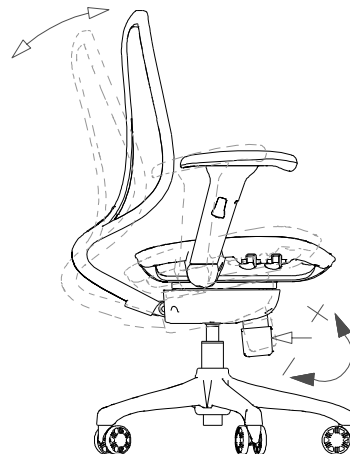
- a. Four positions slide depth.
 - b. Seat depth is adjustable when the button up.
- Firstly, press the button up and adjust the seat forward. Secondly, the seat depth could be fixed after unclenching your hand.
- C. Restore the seat depth after pressing the button up and raise body up.



4. Elasticity of tilting

A handle under the button seat could adjust the elasticity degree of the backrest.

- a. The elasticity could be increased by moving the handle clockwise.
- b. The elasticity could be decreased by moving the handle anticlockwise.



5. Radian of tilting

The button on the left seat could adjust and lock the radian of backrest.

- a. Turning the button up is free state. We can adjust radian of backrest by moving our body.
- b. Turning the button up so that the radian of backrest can be fixed.
- c. Four positions tilt adjustable.
- d. Restore the backrest position after turning the button up and moving body back again.

