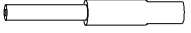
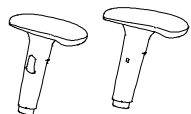

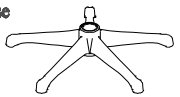
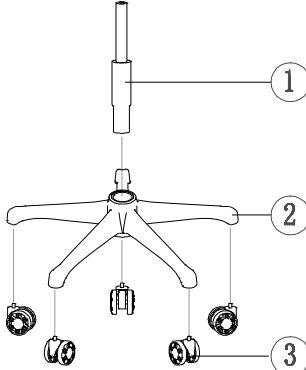
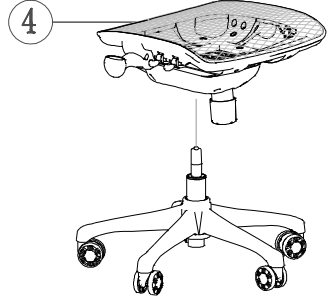


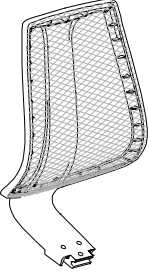
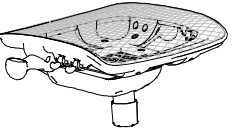

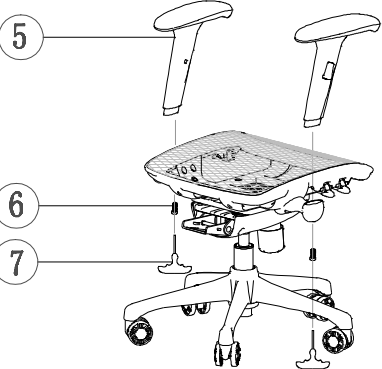
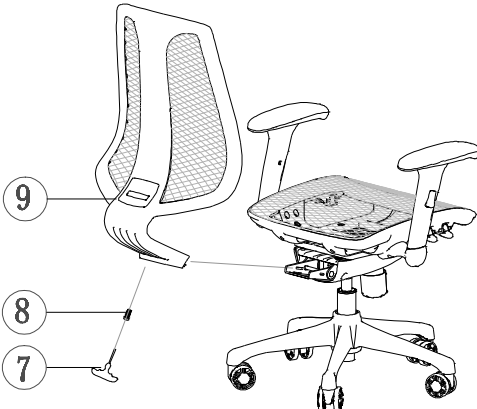




OPS-T1 Assembly Guide

List of the chair parts (Note : Some parts are different from picture.Please make the object as the standard)			STEP1 : 1.Five castors insert into base separately. 2.Insert gas lift into base.	STEP2 : Insert seat mechanism into the gas lift.
① Gas Lift 	⑤ Armrest 	⑧ Type B back screws 		
② Base 				
③ Castor*5 	⑥ Armrest screws 	⑨ Assembled back 		
④ Seat mechanism 	⑦ Allen Wrench 		STEP3 : 1. Insert armrest into the seat mechanism. 2.Tighten the screws. 	STEP4 : 1.Insert assembled back into the seat mechanism. 2.Tighten the screws. 
Maintenance and Attention <ol style="list-style-type: none"> 1.Make sure that the chair can only carry one person at a time. 2.Do not use the chair as a step stool or ladder. 3.Do not use the chair before all parts are properly assembled. 4. Do not use the chair unless all screws have been tightened. 5. If destroyed by outside forces or defect work, stop use the chair until repaired. 6. For your safety, the instructions listed above must be strictly observed. 				