

DM MOUNT FOR GLASS SCREENS

SPECIFICATION GUIDE



Round End Connector **SKU: DM-RE**

Specify at screen run ends, for vertical support against adjoining walls or in the middle of screen runs 60" [1524mm] and longer

SPECIFICATIONS

Includes one connector in Silver Finish with plastic protective sleeve which fits glass or acrylic up to 0.25" [6mm] thick x 20.0" [508mm] max height. Hex set screw with 4mm drive.

MOUNTING HARDWARE

Self-Drilling mounting screws (Included)
Double sided mounting tape (Optional see DM-DS-TAPE)

OVERALL DIMENSIONS

1.2" [30.5mm] L x 1.1" [28mm] H x 0.68" [17.3mm] D
Minimal gap (~1/8") from edge of screen to surface.



Square End Connector **SKU: DM-SE**

Specify when connecting glass screens or in the middle of screen runs

SPECIFICATIONS

Includes one connector in Silver Finish with plastic protective sleeve which fits glass or acrylic up to 0.25" [6mm] thick x 20.0" [508mm] max height.

MOUNTING HARDWARE

Self-Drilling mounting screws (Included)
Double sided mounting tape (Optional see DM-DS-TAPE)

OVERALL DIMENSIONS

2.3" [58.4mm] L x 1.1" [28mm] H x 0.68" [17.3mm] D
Minimal gap (~1/8") from edge of screen to surface.

NOTE: The Square End Connector (DM-SE) and the Round End Connector (DM-RE) are interchangeable when being used as a center or end support.



High Square End Connector **SKU: DM-SE-H**

Specify when connecting glass screens or in the middle of screen runs and more stability is preferred

SPECIFICATIONS

Includes one connector in Silver Finish with plastic protective sleeve which fits glass or acrylic up to 0.25" [6mm] thick x 20.0" [508mm] max height.

MOUNTING HARDWARE

Self-Drilling mounting screws (Included)
Double sided mounting tape (Optional see DM-DS-TAPE)

OVERALL DIMENSIONS

2.3" [58.4mm] L x 1.6" [40.6mm] H x 0.68" [17.3mm] D
Minimal gap (~1/8") from edge of screen to surface.

DM MOUNT FOR GLASS SCREENS

SPECIFICATION GUIDE



2-Way 90° Connector **SKU: DM-2W**

Specify when changing 90° directions in a run of screens

SPECIFICATIONS

Includes one connector in Silver Finish with two plastic protective sleeves which fits glass or acrylic up to 0.25" [6mm] thick x 20.0" [508mm] max height. Hex set screws with 4mm drive.

MOUNTING HARDWARE

Self-Drilling mounting screws. (Included)
Double sided mounting tape. (Optional see DM-DS-TAPE)

OVERALL DIMENSIONS

2.1" [53.3mm] L x 2.1" [53.3mm] W x 1.1" [28mm] H x 0.68" [17.3mm] D
Minimal gap (~1/8") from edge of screen to surface.



3-Way 90° Connector **SKU: DM-3W**

Specify when changing 90° directions in T-shaped run of screens

SPECIFICATIONS

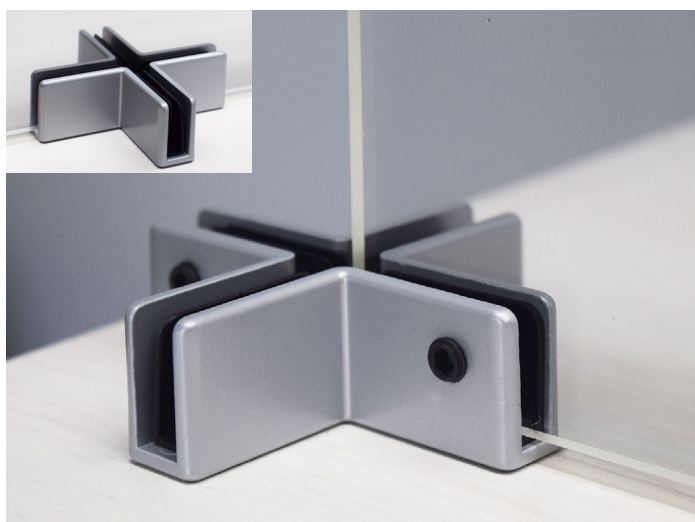
Includes one connector in Silver Finish with three plastic protective sleeves which fits glass or acrylic up to 0.25" [6mm] thick x 20.0" [508mm] max height. Hex set screws with 4mm drive.

MOUNTING HARDWARE

Self-Drilling mounting screws. (Included)
Double sided mounting tape. (Optional see DM-DS-TAPE)

OVERALL DIMENSIONS

3.6" [91.4mm] L x 2.1" [53.3mm] W x 1.1" [28mm] H x 0.68" [17.3mm] D
Minimal gap (~1/8") from edge of screen to surface.



4-Way 90° Connector **SKU: DM-4W**

Specify when changing 90° directions in four runs of screens

SPECIFICATIONS

Includes one connector in Silver Finish with three plastic protective sleeves which fits glass or acrylic up to 0.25" [6mm] thick x 20.0" [508mm] max height. Hex set screws with 4mm drive.

MOUNTING HARDWARE

Self-Drilling mounting screws. (Included)
Double sided mounting tape. (Optional see DM-DS-TAPE)

OVERALL DIMENSIONS

3.6" [91.4mm] L x 3.6" [91.4mm] W x 1.1" [28mm] H x 0.68" [17.3mm] D
Minimal gap (~1/8") from edge of screen to surface.

DM MOUNT FOR GLASS SCREENS

SPECIFICATION GUIDE



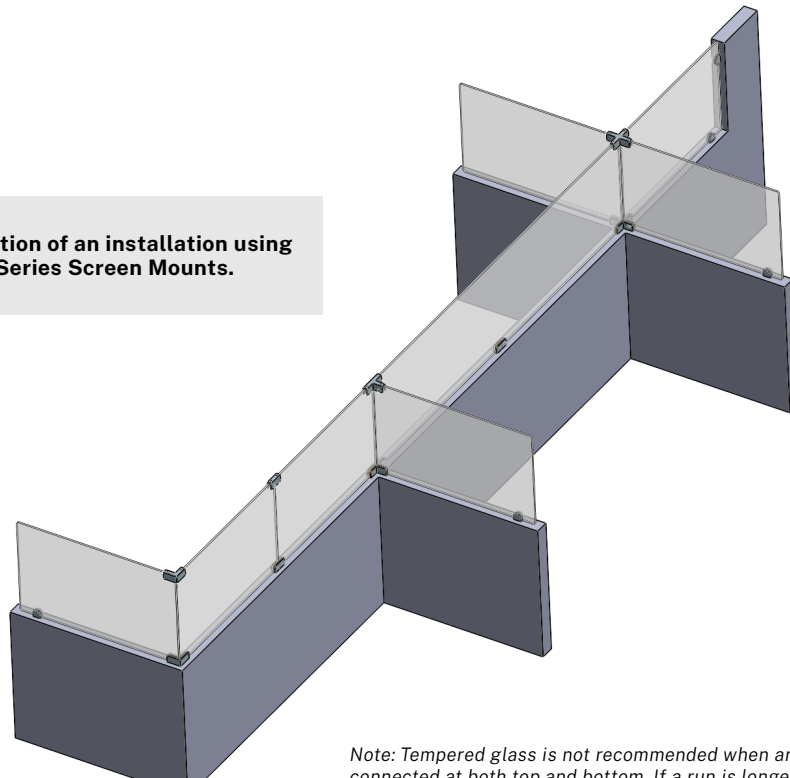
Double Sided Tape **SKU:** DM-DS-TAPE

Specify when screwing the DM mounts is not an option

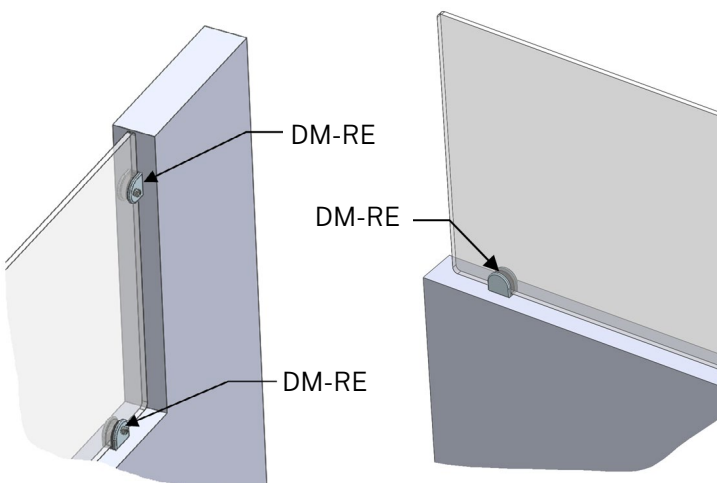
SPECIFICATIONS

Includes one roll of double-sided self-adhesive tape
32' [10M] L x 0.6" [14mm] W x 0.1" [1mm] T

Graphic representation of an installation using all of the DM Series Screen Mounts.



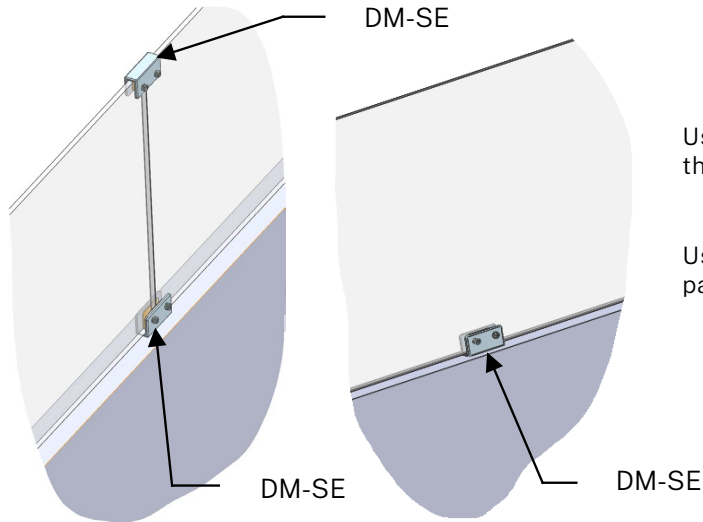
Note: Tempered glass is not recommended when an end of run is over 24" long and not connected at both top and bottom. If a run is longer than 24", Plexiglass is recommended with PGHM-TC or PGHM-N screen holders for added stability.



Use two Round End Connectors (DM-RE) to secure the bottom and edge of the glass panel to a taller panel.

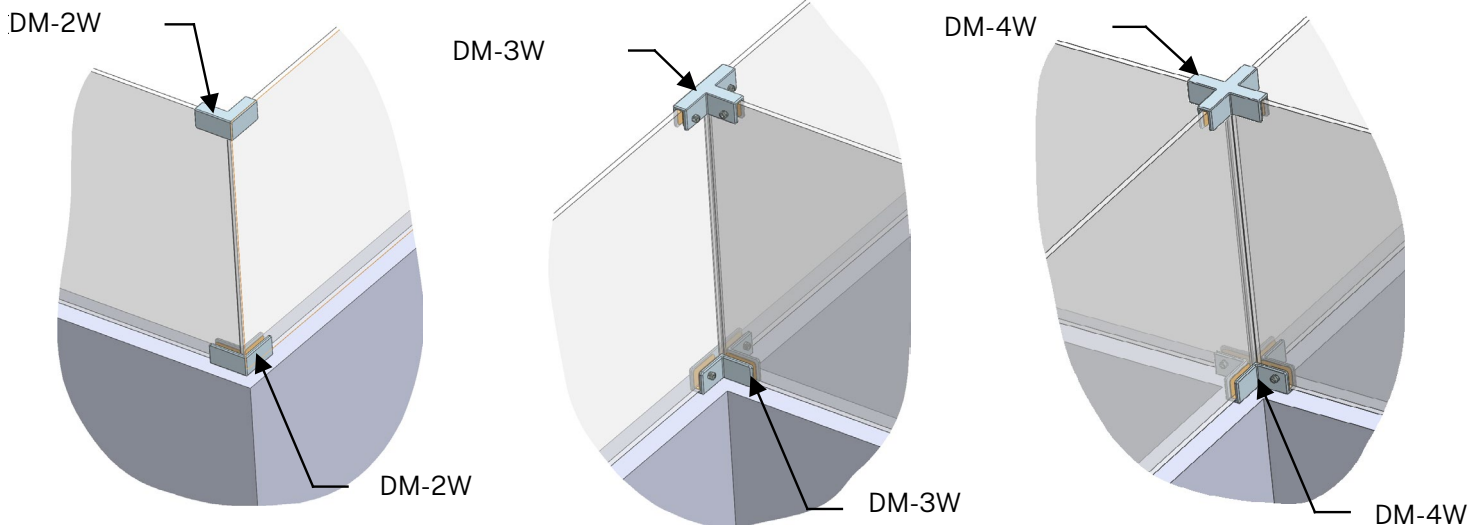
Use a Round End Connector at the end of a run to support bottom of glass panel.

DM MOUNT FOR GLASS SCREENS SPECIFICATION GUIDE



Use Square End Connectors (DM-SE) on the top and bottom of the glass panels to create a strong seam.

Use Square End Connectors in the bottom middle of glass panels 60" and larger for added structural rigidity.



Use 2-Way, 3-Way and 4-Way 90° Connectors on top the and bottom of corners for added structural rigidity.