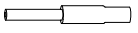
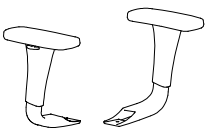
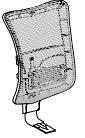
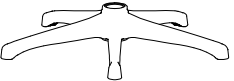

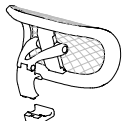

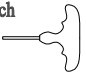

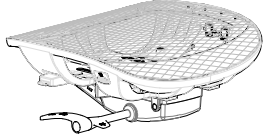



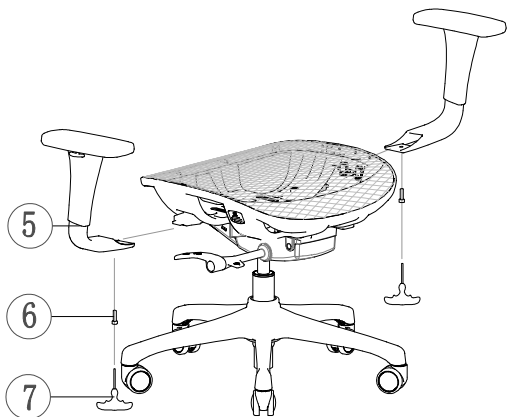
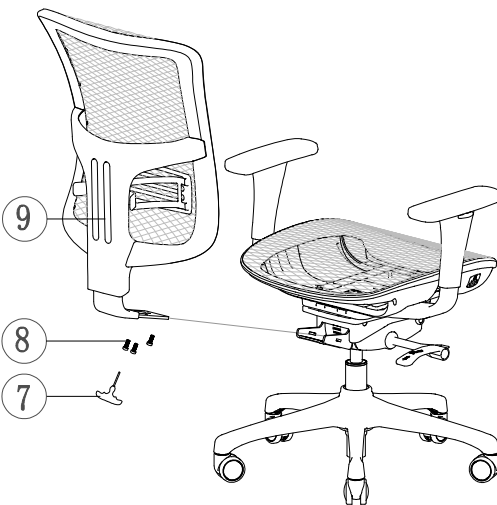
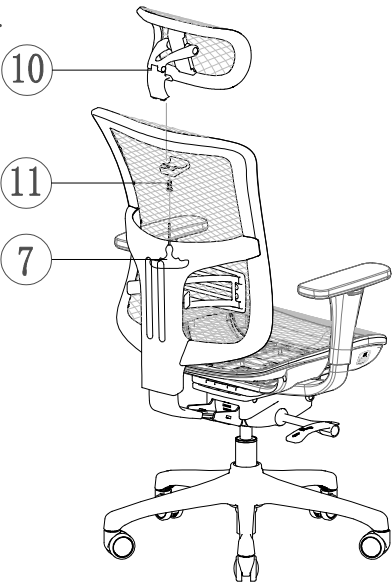


## K14 Galactic: Fabric Assembly Guide

# OPS-K14FS

List of the chair parts (Note: Some parts are different from picture. Please make the object as the standard)			STEP1: 1. Five castors insert into base separately. 2. Insert gas lift into base.	STEP2: Insert seat mechanism into the gas lift.
<b>① Gas Lift</b> 	<b>⑤ Armrest</b> 	<b>⑨ Assembled back</b> 		
<b>② Base</b> 	<b>⑥ Armrest screws</b> 	<b>⑩ Headrest</b> 		
<b>③ Castor*5</b> 	<b>⑦ Allen Wrench</b> 	<b>⑪ Screws</b> 		
<b>④ Seat mechanism</b> 	<b>⑧ Type B back screws</b> 			

<b>STEP3:</b> 1. Insert armrest into the seat mechanism. 2. Tighten the screws. 	<b>STEP4:</b> 1. Insert assembled back into the seat mechanism. 2. Tighten the screws. 	<b>STEP5:</b> 1. Insert the headrest into the assembled back. 2. Tighten the screws.  <b>Maintenance and Attention</b> <ol style="list-style-type: none"> <li>1. Make sure that the chair can only carry one person at a time.</li> <li>2. Do not use the chair as a step stool or ladder.</li> <li>3. Do not use the chair before all parts are properly assembled.</li> <li>4. Do not use the chair unless all screws have been tightened.</li> <li>5. If destroyed by outside forces or defect work, stop use the chair until repaired.</li> <li>6. For your safety, the instructions listed above must be strictly observed.</li> </ol>
---	--	--