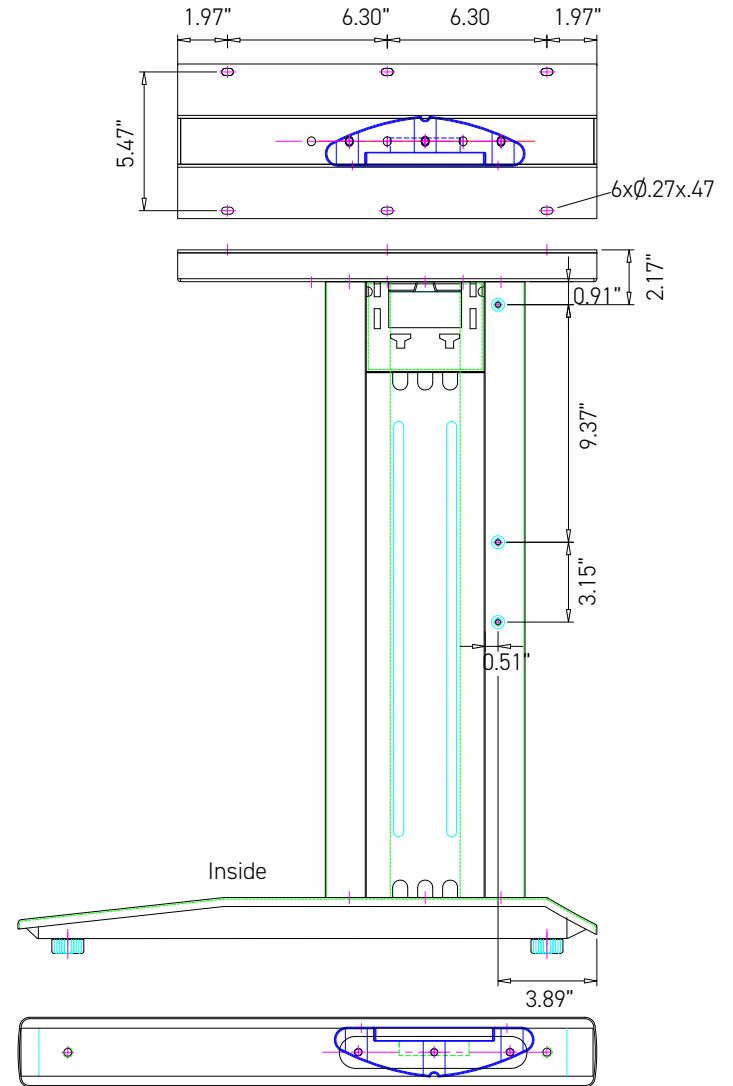
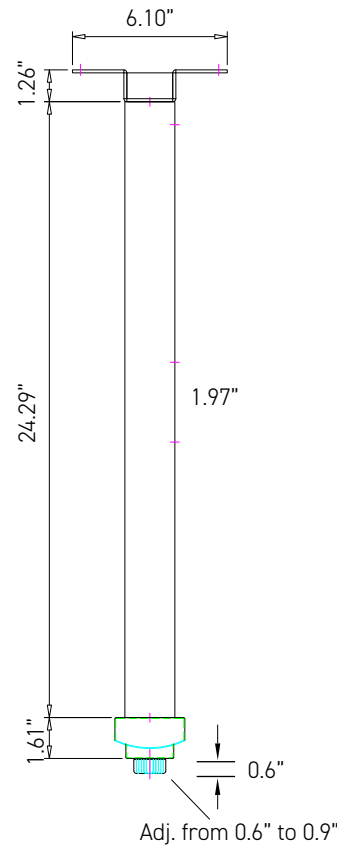
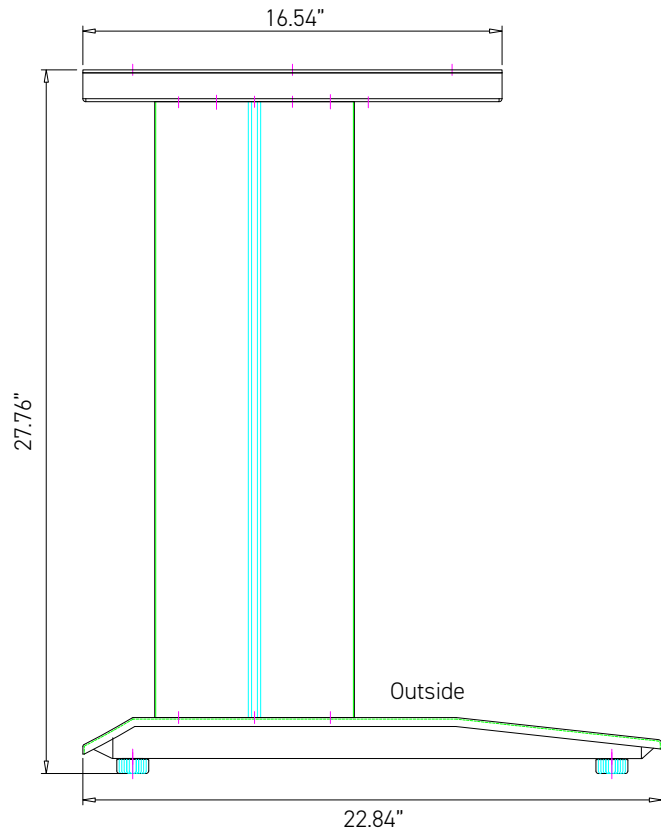



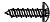
C-LEG (Left or Right)

SKU: CLEGL & CLEGR

Description: C-Leg (Left & Right) for 24"D Surface

Thickness: Top 16 gauge steel, Column 22 gauge steel, Bottom 16 gauge steel, Cover 25 gauge steel



-  M6*20 BOLT-12 pcs
-  M5*19 SCREW-12 pcs