



DOOR OPTIONS

OVERVIEW

Add a final touch of privacy

Complete your 85H office or Modular Wall enclosure with our standard or sliding doors, or add additional privacy to your existing 53H or 67H Panel or Tile stations.

Available Products

- 85H Standard Door pg. 2
- 53H Sliding Door pg. 3
- 67H Sliding Door pg. 3
- 85H Sliding Door pg. 6

Compatible Systems

- Modular Walls
- OPS2 Panel System
- OPS2 Tile System (85H Sliding Door excluded)
- Razor System



STANDARD DOOR

85H

A traditional look

Our standard 85H door comes in a left or right swing, can include a full glass cutout, as well as an accompanying side glass sidelight on the left or right (depending on swing). The standard door is compatible with our standard base and Razor base styles.

DIMENSIONS

85H x 48W (including sidelight)
Door panel is 36W

SPECIFICATION

- Door comes solid as standard
- Sidelight comes with clear glass as standard
- Door panel is available in all standard paint options
- Sidelight is available in Frosted or Bronze glass, with an upcharge per door
- Door panel can have a custom cutout (shown on the right) that is 24W x 72H. Upcharge will apply per door.
- Custom cutout is available in clear, frosted or bronze glass

APPLICABLE SKUS

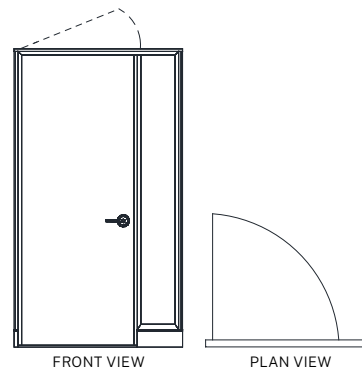
SKU	DESCRIPTION
DOORPNL85L	Door w/ Side Light- 85Hx48W- Left
DOORPNL85R	Door w/ Side Light- 85Hx48W- Right



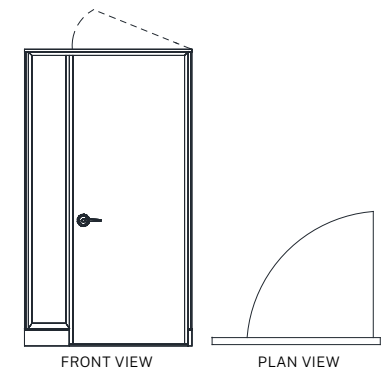
Standard Door
(Left swing shown)



Standard Door w/ Glass Cutout
(Available with upcharge)



Left Swing
DOORPNL85L



Right Swing

NOTE: The swing is determined by standing outside the office.

SLIDING DOOR

53H | 67H

Can attach to existing stations

If you need additional privacy for your traditional 53 or 67H Panel, Tile or Razor system, our Sliding Door panel attachment, which comes with casters, can complete your ideal setup.

DIMENSIONS

See pg. 6 & 7

SPECIFICATION

- Sliding Doors will come standard to fit on a 36W panel and cover a 36W opening
- Optional rails can be specified to fit on a 42, 48 or 60W panel
- Standard glass option is 5mm tempered frosted glass
- Door panel is available in all standard paint options
- Not compatible with Sixty-Five
- Cannot attach to a 2, 3, or 4 way connection.

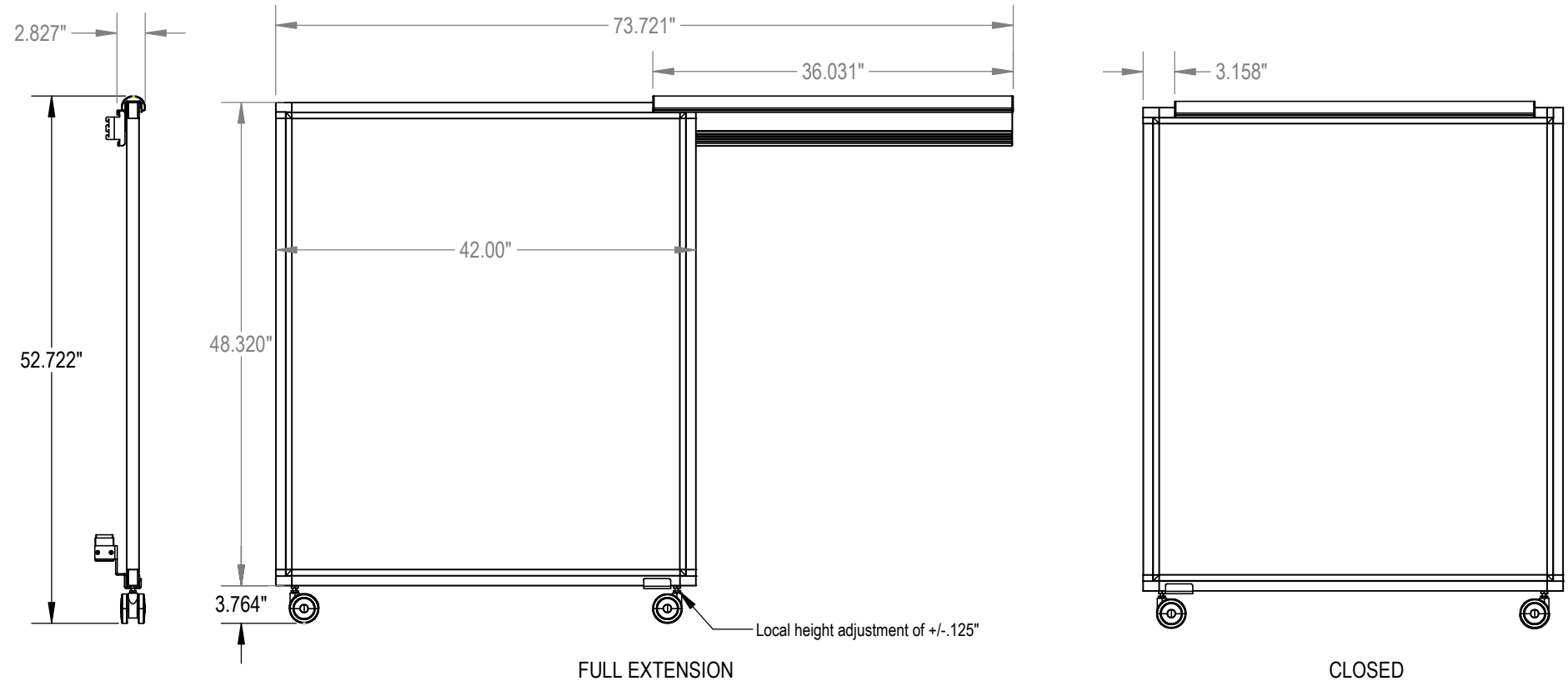
APPLICABLE SKUS

SKU	DESCRIPTION
SLIDING-DOOR53.XX	51H X 36W Opening Overall 42"
SLIDING-DOOR67.XX	65H X 36W Opening Overall 42"
TRB42	42" Optional Rail
TRB48	48" Optional Rail
TRB60	60" Optional Rail



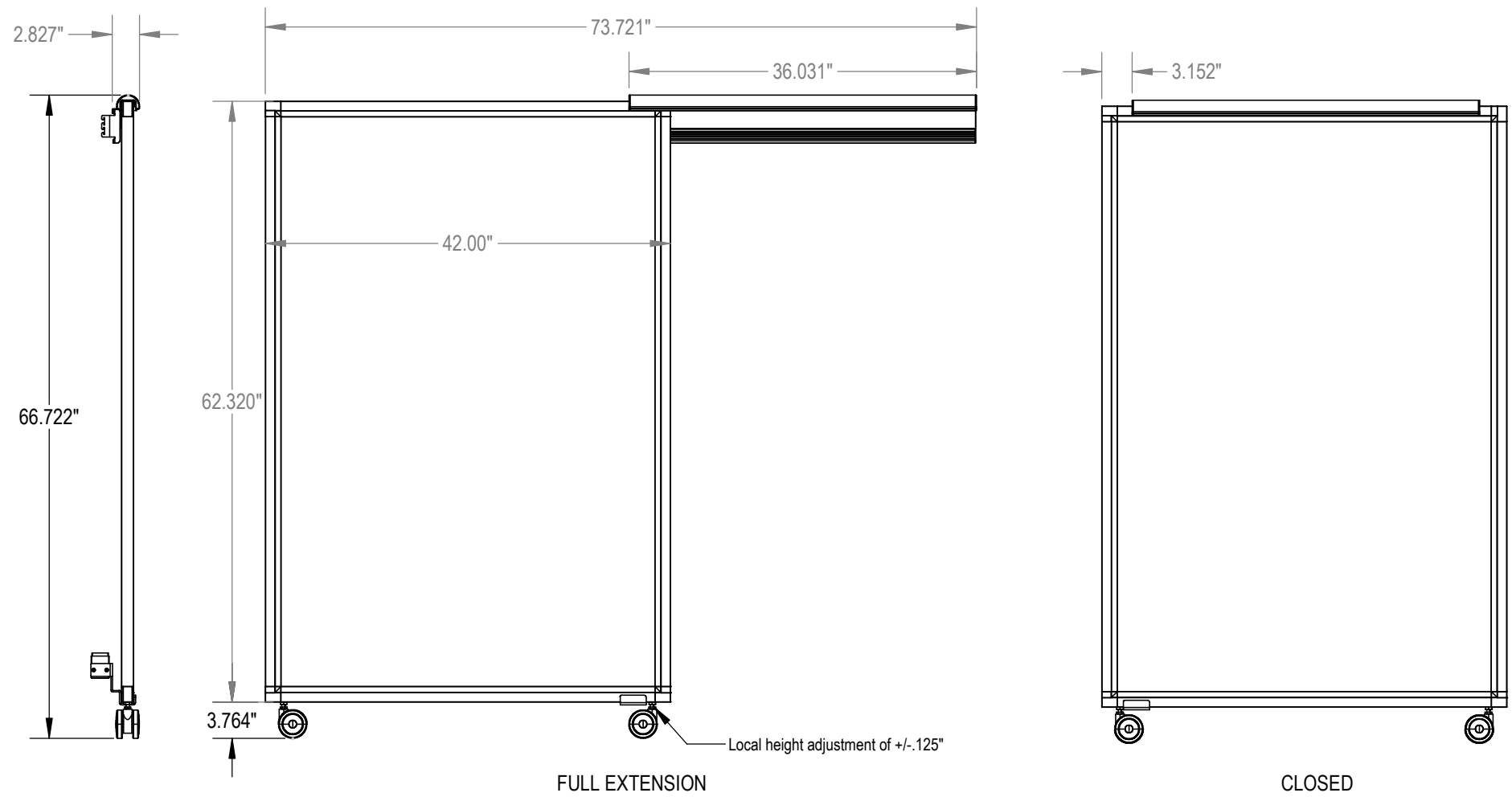
53H SLIDING DOOR

DIMENSIONS



67H SLIDING DOOR

DIMENSIONS



SLIDING DOOR

85H

Sleek, all-glass design

The stylish, all-glass sliding door is here. Add a modern look to your 85H stations with the all-glass sliding door. With a minimal, stainless glide, smooth soft-close function, this sliding door is perfect for executive offices or any office that needs a seamless design.

SPECIFICATION

- Product includes: 36" glass door, 72" sliding rail, door pull, and a 36" wide open panel w/ threshold.
- Requires an adjacent panel 85"H X 36" wide or larger to support the sliding rail.
- Standard Glass option is clear.
- Door kit has a brush metal finish (Cannot be painted)
- Not compatible with Sixty-Five or OPS2 Tile Systems

APPLICABLE SKU

SKU	DESCRIPTION
SLIDING-DOOR85	85H Sliding Door w/ 36" metal frame, glass door and hardware

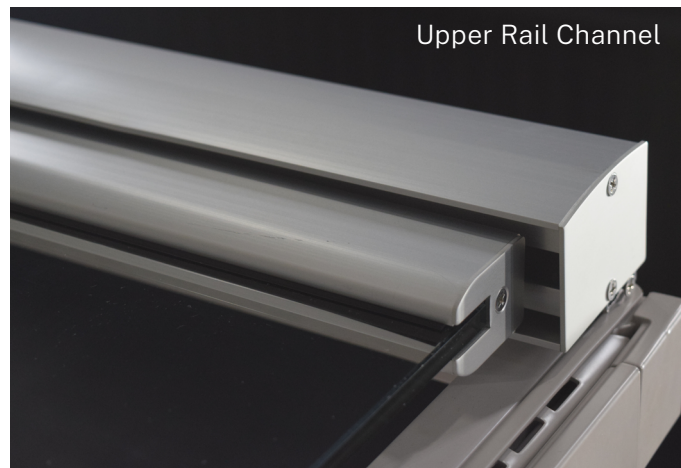
NOTE: Adjacent Panel not included, but required to support sliding rail.



Door Pull Hardware



Lower Rail Channel



Upper Rail Channel



Add frosting bands to your 85h door sliding glass panels.

\$150.00 Net upcharge applies.
Visit openplan.com for more information.