

STORAGE SPECIFICATIONS

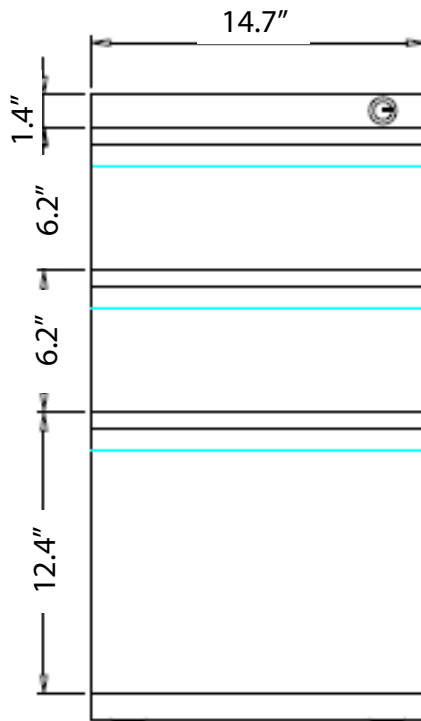
BBF-FP STRUCTURAL PEDESTAL (21"D)

SKU: BBF-FP-21

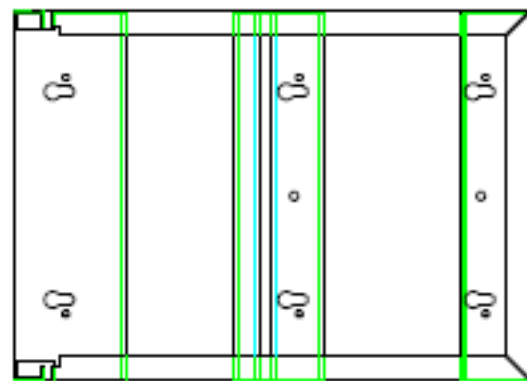
DESCRIPTION: BOX/BOX/FILE-FULL PULL- STRUCTURAL PEDESTAL (21"D)

FEATURES

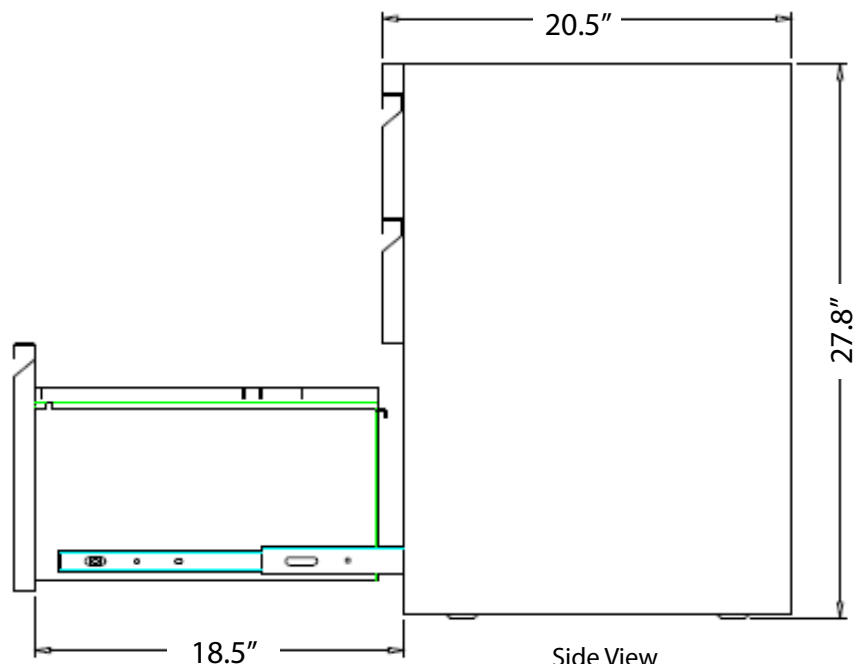
- Three Step Steel Ball Bearing Suspension
- Powder Coating: 40u~80u
- Drawer Front: 22 Gauge (0.027 in)
- Bottom: 21 Gauge (0.031 in)
- Drawer: 22 Gauge (0.027 in)



Front View



Top View



Side View

STORAGE SPECIFICATIONS

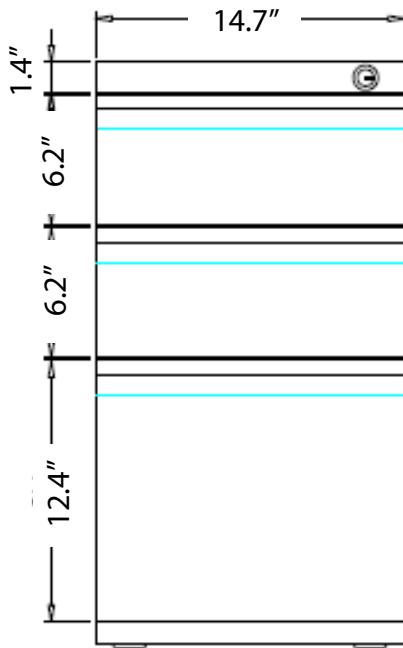
BBF-FP STRUCTURAL PEDESTAL (23"D)

SKU: BBF-FP

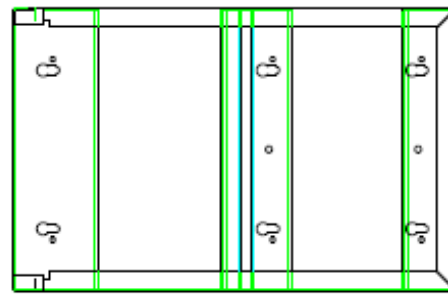
DESCRIPTION: BOX/BOX/FILE-FULL PULL-STRUCTURAL PEDESTAL (23"D)

FEATURES

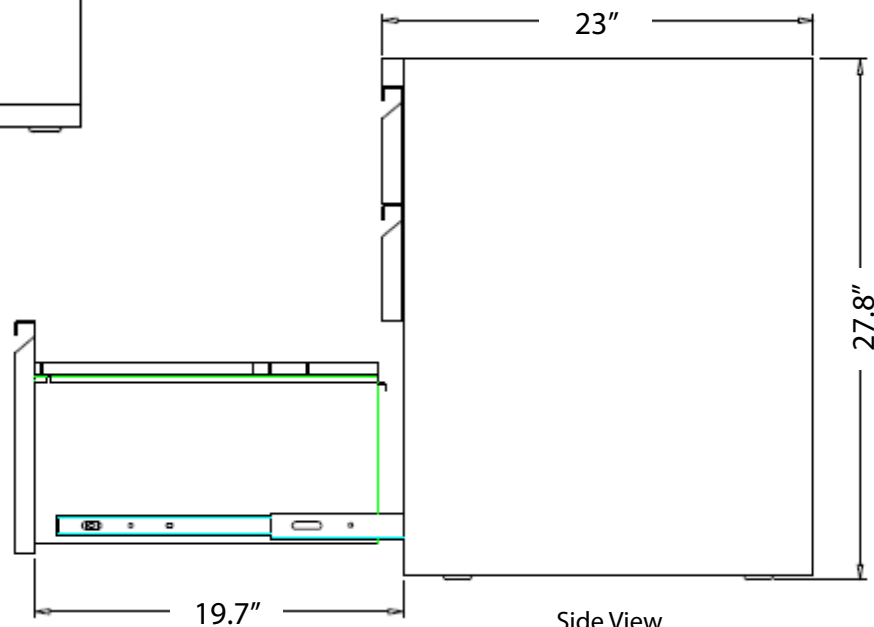
- Three Step Steel Ball Bearing Suspension
- Powder Coating: 40u~80u
- Drawer Front: 22 Gauge (0.027 in)
- Bottom: 21 Gauge (0.031 in)
- Drawer: 22 Gauge (0.027 in)



Front View



Top View



Side View

STORAGE SPECIFICATIONS

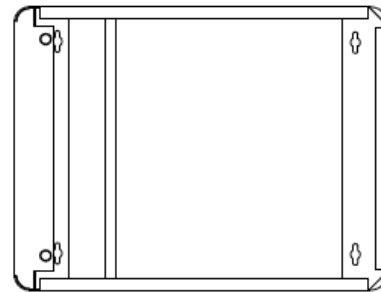
BBF-SP STRUCTURAL PEDESTAL (20"D)

SKU: BBF-SP

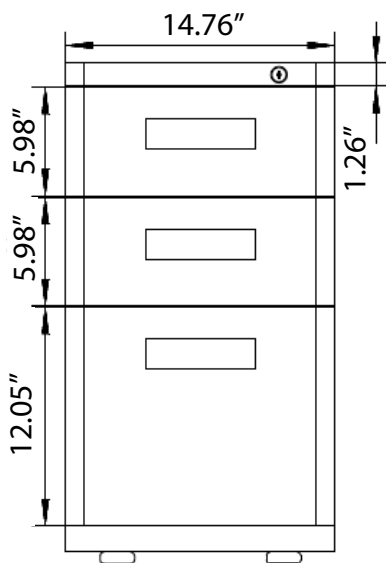
DESCRIPTION: BOX/BOX/FILE-SQUARE PULL PEDESTAL (20"D)

FEATURES

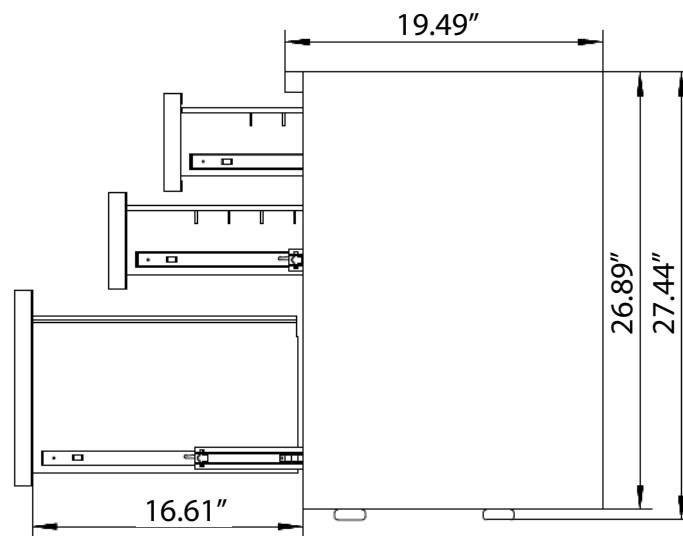
- Heavy Gauge Steel Structure
- Three Step Ball Bearing Suspension
- Removable Lock Core
- Powder Coating: 40u-80u
- Body: 22 Gauge (0.027")
- Drawer Front: 22 Gauge (0.027")
- Bottom: 21 Gauge (0.031")
- Drawer: 22 Gauge (0.027")
- Weight: 51.81 lb.



Top View



Front View



Side View

STORAGE SPECIFICATIONS

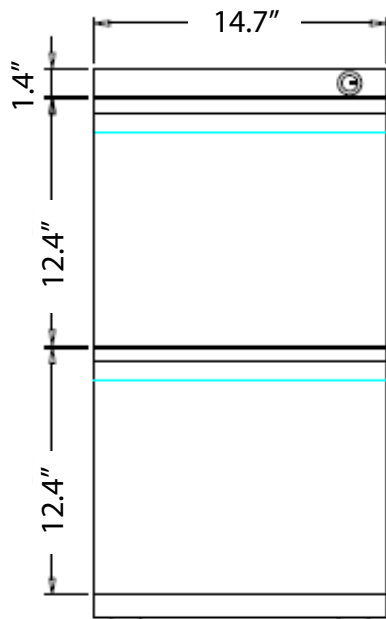
FF-FP STRUCTURAL PEDESTAL (21" D)

SKU: FF-FP-21

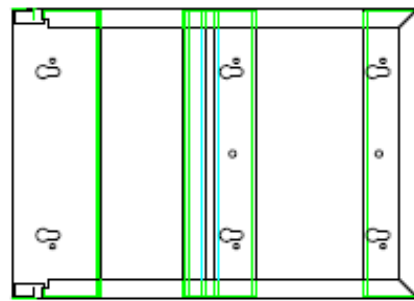
DESCRIPTION: FILE/FILE-FULL PULL-STRUCTURAL PEDESTAL (21" D)

FEATURES

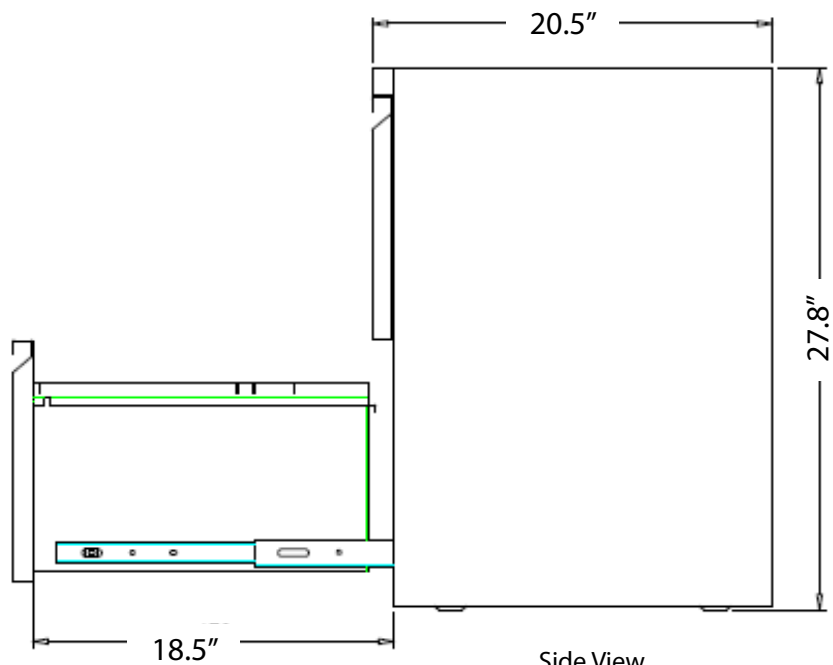
- Three Step Ball Bearing Suspension
- Powder Coating: 40u-80u
- Body: 22 Gauge (0.027")
- Drawer Front: 22 Gauge (0.027")
- Bottom: 21 Gauge (0.031")
- Drawer: 22 Gauge (0.027")



Front View



Top View



Side View

STORAGE SPECIFICATIONS

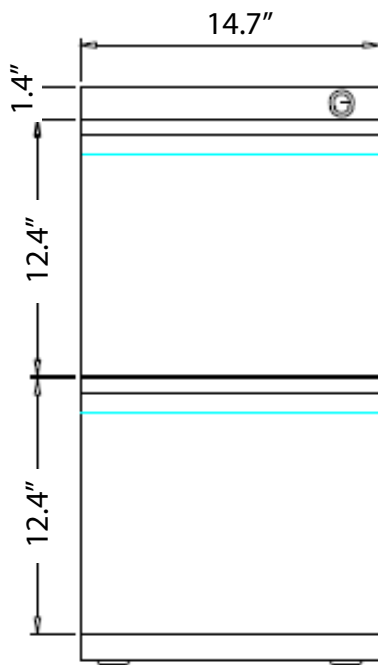
FF-FP STRUCTURAL PEDESTAL (23" D)

SKU: FF-FP

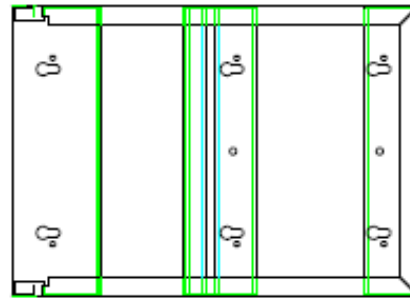
DESCRIPTION: FILE/FILE-FULL PULL-STRUCTURAL PEDESTAL (23"D)

FEATURES

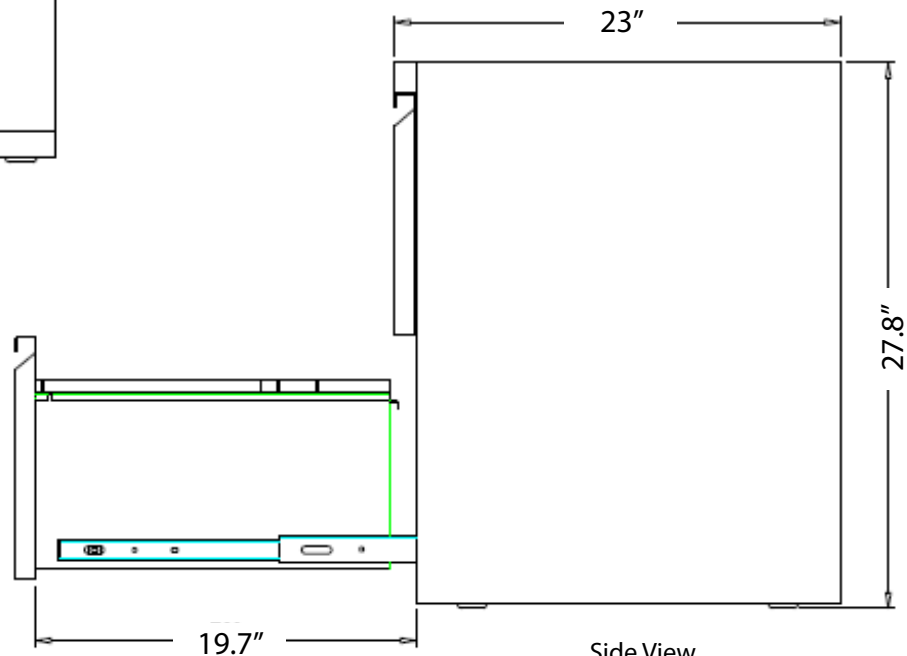
- Three Step Ball Bearing Suspension
- Powder Coating: 40u-80u
- Body: 22 Gauge (0.027")
- Drawer Front: 22 Gauge (0.027")
- Bottom: 21 Gauge (0.031")
- Drawer: 22 Gauge (0.027")



Front View



Top View



Side View

STORAGE SPECIFICATIONS

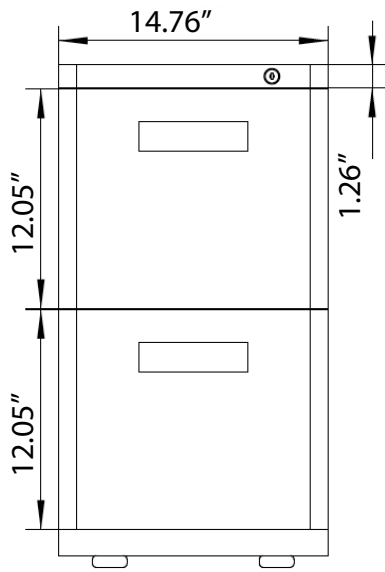
FF-SP STRUCTURAL PEDESTAL (20"D)

SKU: FF-SP

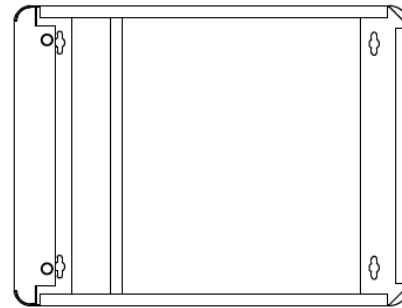
DESCRIPTION: FILE/FILE-SQUARE PULL PEDESTAL (20"D)

FEATURES

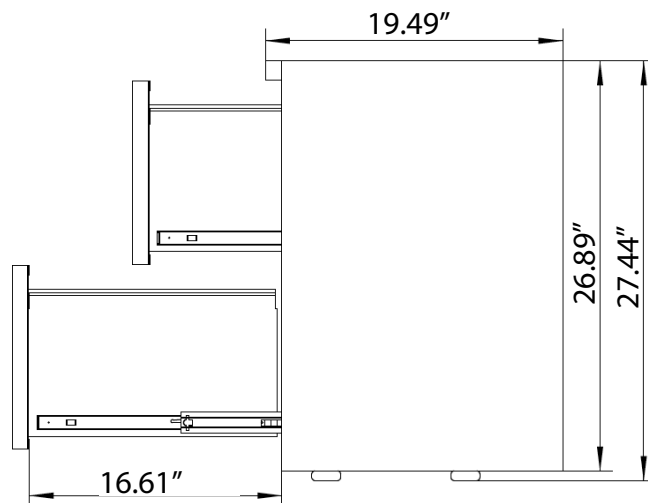
- Heavy Gauge Steel Structure
- Three Step Ball Bearing Suspension
- Removable Lock Core
- Powder Coating: 40u-80u
- Body: 22 Gauge (0.027")
- Drawer Front: 22 Gauge (0.027")
- Bottom: 21 Gauge (0.031")
- Weight: 56.22 lb.



Front View



Top View



Side View

STORAGE SPECIFICATIONS

BF-FP HANGING PEDESTAL (21"D)

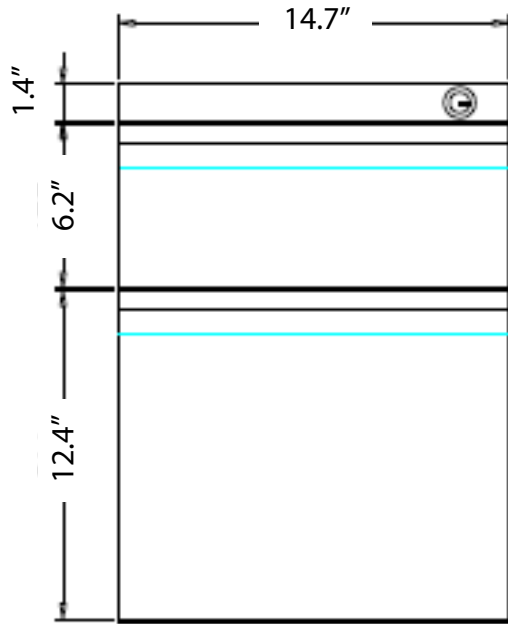


SKU: BF-FP

DESCRIPTION: BOX/FILE-FULL PULL-HANGING PEDESTAL (21"D)

FEATURES

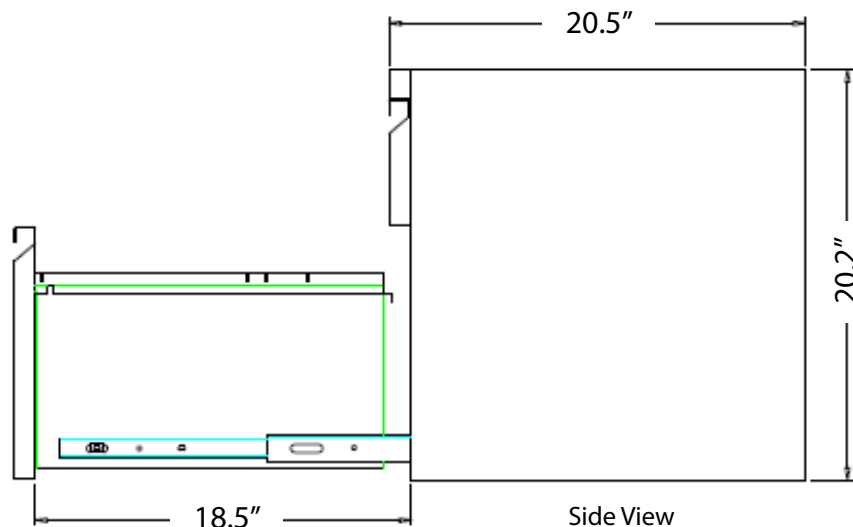
- Three Step Ball Bearing Suspension
- Powder Coating: 40u-80u
- Body: 22 Gauge (0.027")
- Drawer Front: 22 Gauge (0.027")
- Bottom: 22 Gauge (0.027 in)
- Drawer: 22 Gauge (0.027 in)



Front View



Top View



Side View

STORAGE SPECIFICATIONS

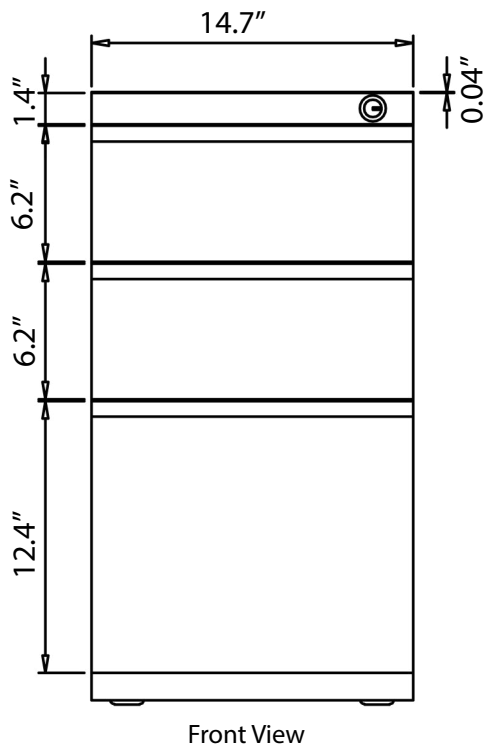
BBF-FP FREESTANDING PEDESTAL (21" D)

SKU: BBF-FP-FS

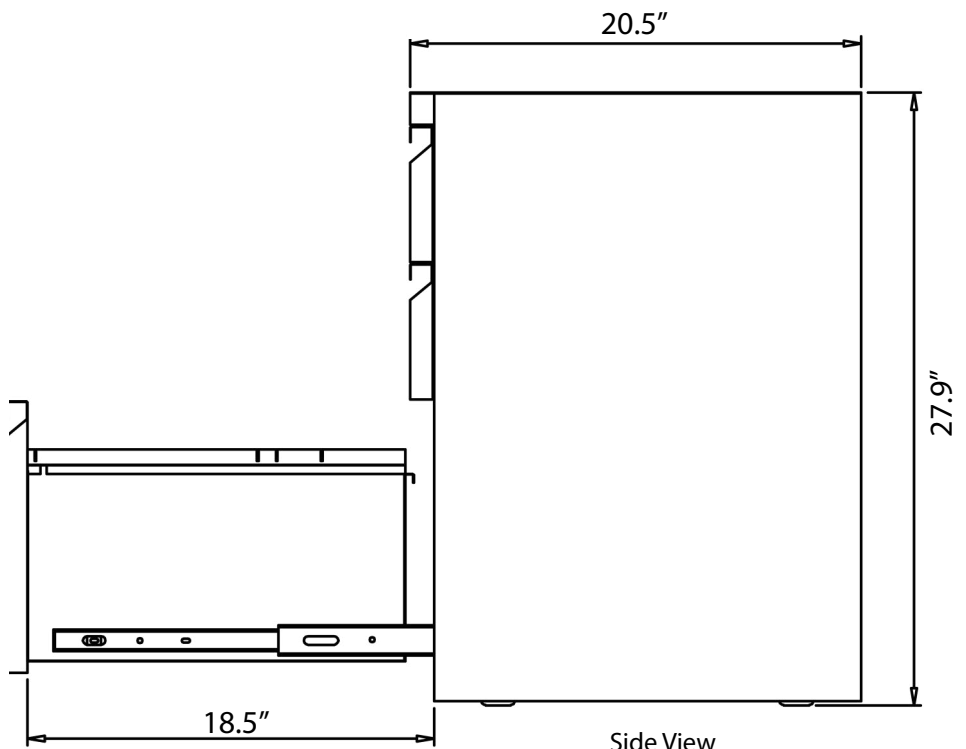
DESCRIPTION: BOX/BOX/FILE-FULL PULL-FREESTANDING PEDESTAL (21" D)

FEATURES

- Three Step Ball Bearing Suspension
- Powder Coating: 40u-80u
- Body: 22 Gauge (0.027")
- Drawer Front: 22 Gauge (0.027")
- Bottom: 21 Gauge (0.031 in)
- Drawer: 22 Gauge (0.027 in)
- Top: 18 Gauge (0.047 in)
- Counter Weight
- Optional Seat Cushion sold separately (SKU: SC-FP-MP)



Top View



STORAGE SPECIFICATIONS

FF-FP FREESTANDING PEDESTAL (21"D)

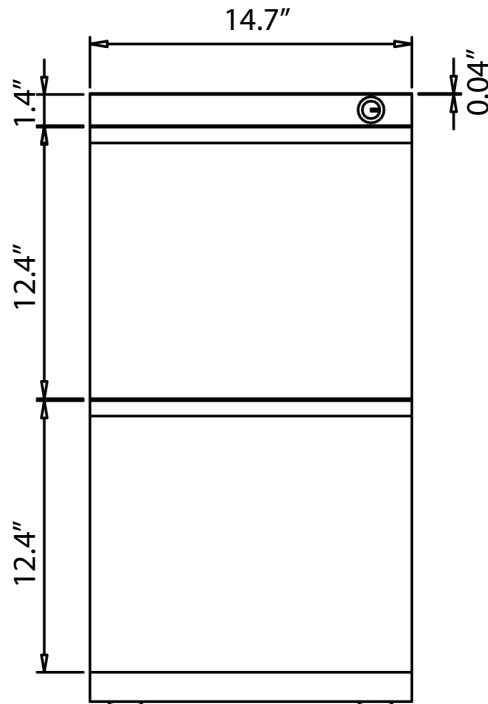


SKU: FF-FP-FS

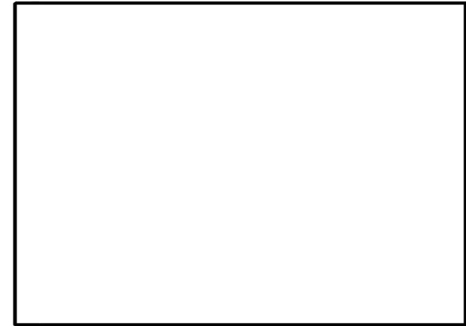
DESCRIPTION: FILE/FILE-FULL PULL-FREESTANDING PEDESTAL (21"D)

FEATURES

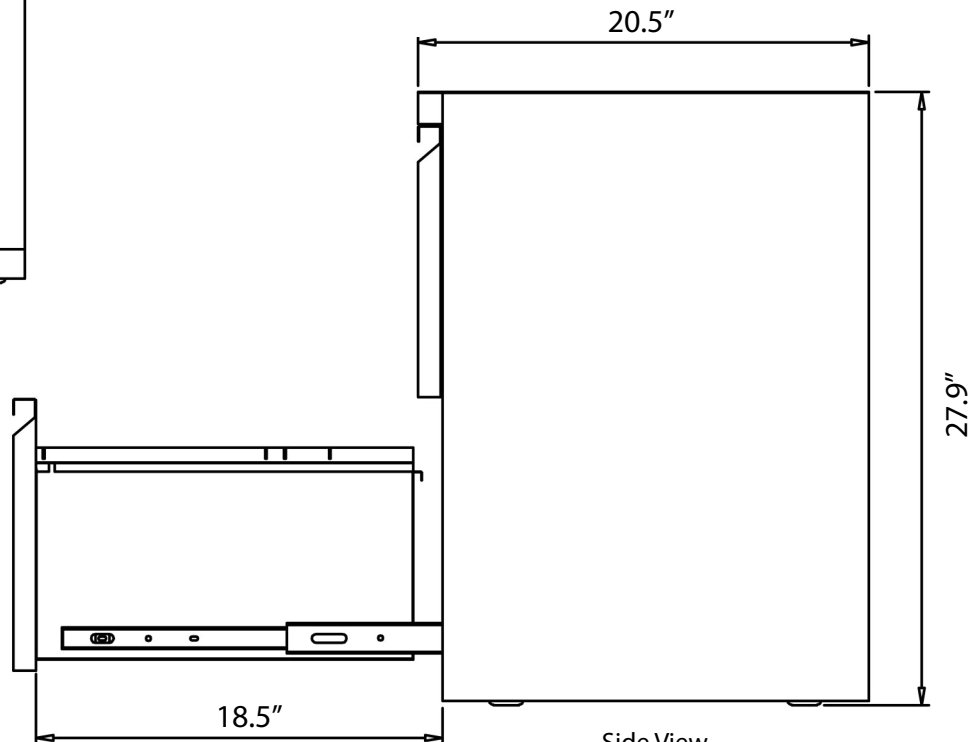
- Three Step Ball Bearing Suspension
- Powder Coating: 40u-80u
- Body: 22 Gauge (0.027")
- Drawer Front: 22 Gauge (0.027")
- Bottom: 21 Gauge (0.031 in)
- Drawer: 22 Gauge (0.027 in)
- Top: 18 Gauge (0.047 in)
- Counter Weight
- Optional Seat Cushion sold separately (SKU: SC-FP-MP)



Front View



Top View



Side View

STORAGE SPECIFICATIONS

BBF-FP MOBILE PEDESTAL (21" D)

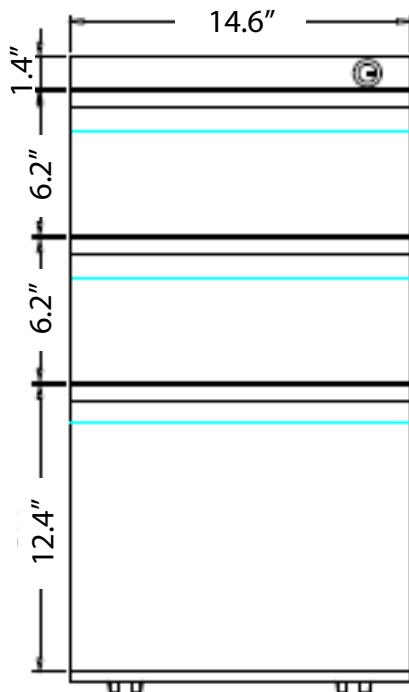


SKU: BBF-FP-MP

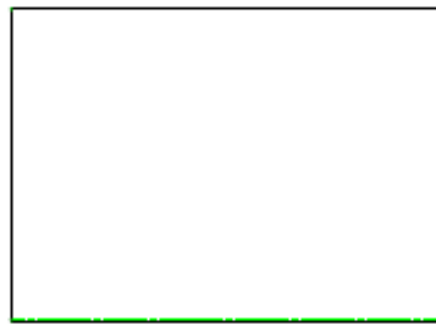
DESCRIPTION: BOX/BOX/FILE-FULL PULL-MOBILE PEDESTAL (21" D)

FEATURES

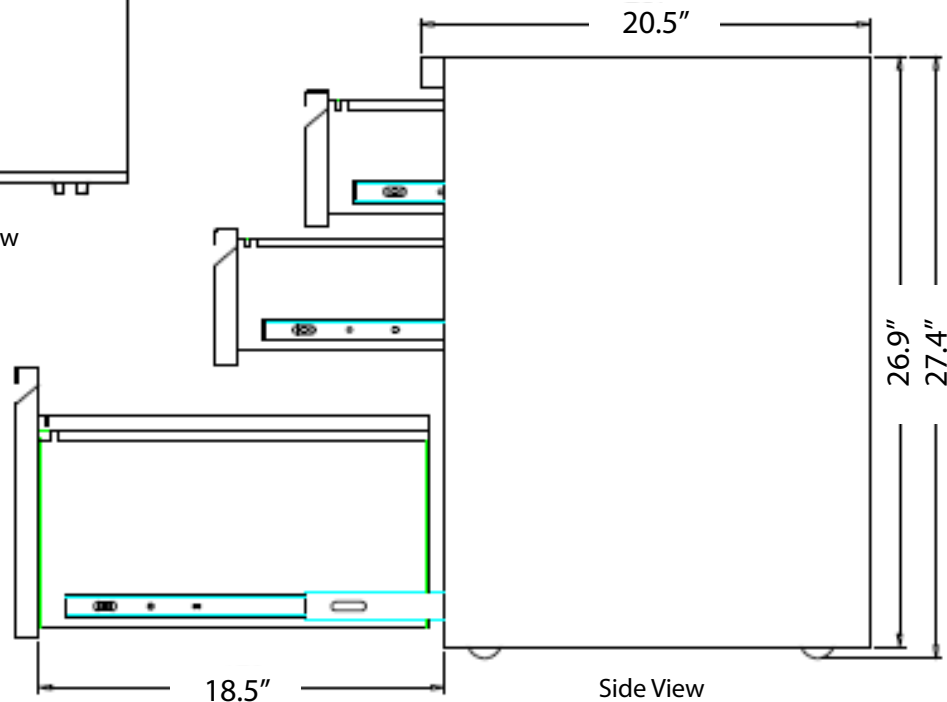
- Three Step Ball Bearing Suspension
- Powder Coating: 40u-80u
- Body: 22 Gauge (0.027")
- Drawer Front: 22 Gauge (0.027")
- Bottom: 21 Gauge (0.031 in)
- Drawer: 22 Gauge (0.027 in)
- Top: 18 Gauge (0.047 in)
- Optional Seat Cushion sold separately (SKU: SC-FP-MP)



Front View



Top View



Side View

STORAGE SPECIFICATIONS

BBF-SP MOBILE PEDESTAL (21"D)

SKU: BBF-SP-MP

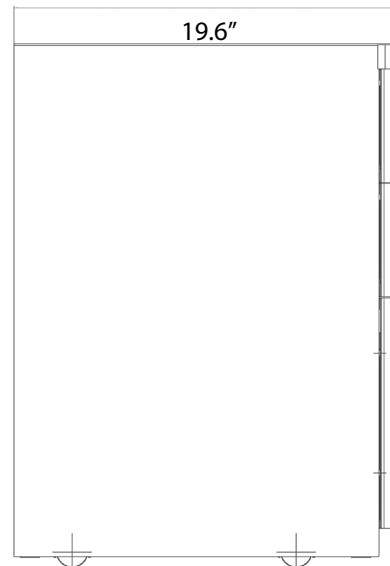
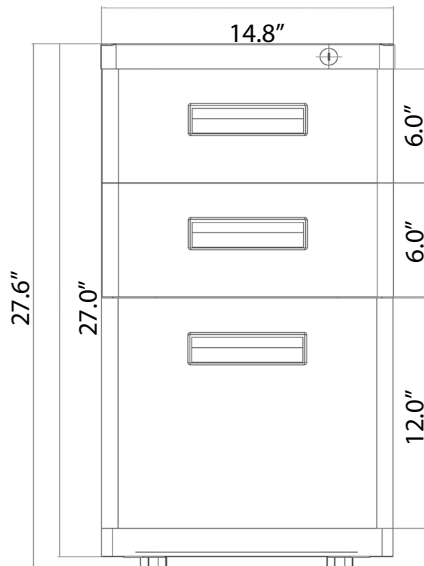
DESCRIPTION: BOX/BOX/FILE-SQUARE PULL-MOBILE PEDESTAL (21"D)

FEATURES

- Heavy Gauge Steel Structure
- Three Step Ball Bearing Suspension
- Removable Lock Core
- Powder Coating: 40u-80u
- Body: 22 Gauge (0.027")
- Drawer Front: 22 Gauge (0.027")
- Bottom: 21 Gauge (0.031")
- Drawer: 22 Gauge (0.027")
- Weight: 51.81 lb.
- Optional Seat Cushion sold separately(SKU: SC-SP-MP)

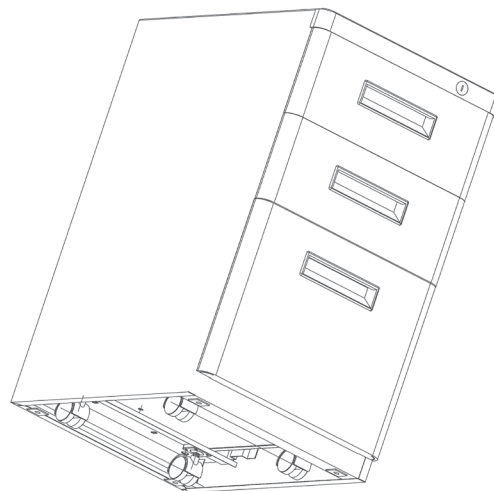
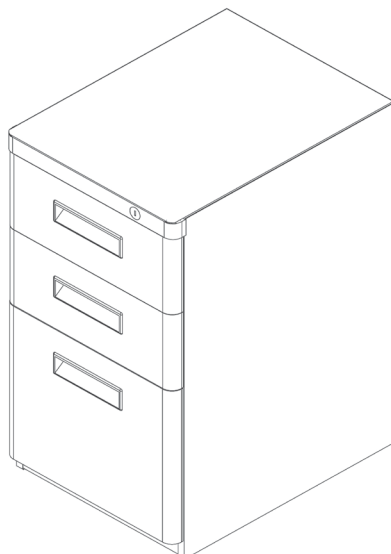


Front View



Side View

Top View



STORAGE SPECIFICATIONS

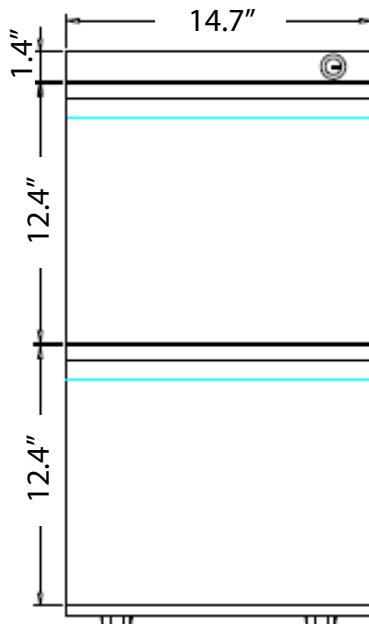
FF-FP MOBILE PEDESTAL (20"D)

SKU: FF-FP-MP

DESCRIPTION: FILE/FILE-FULL PULL-MOBILE PEDESTAL (20"D)

FEATURES

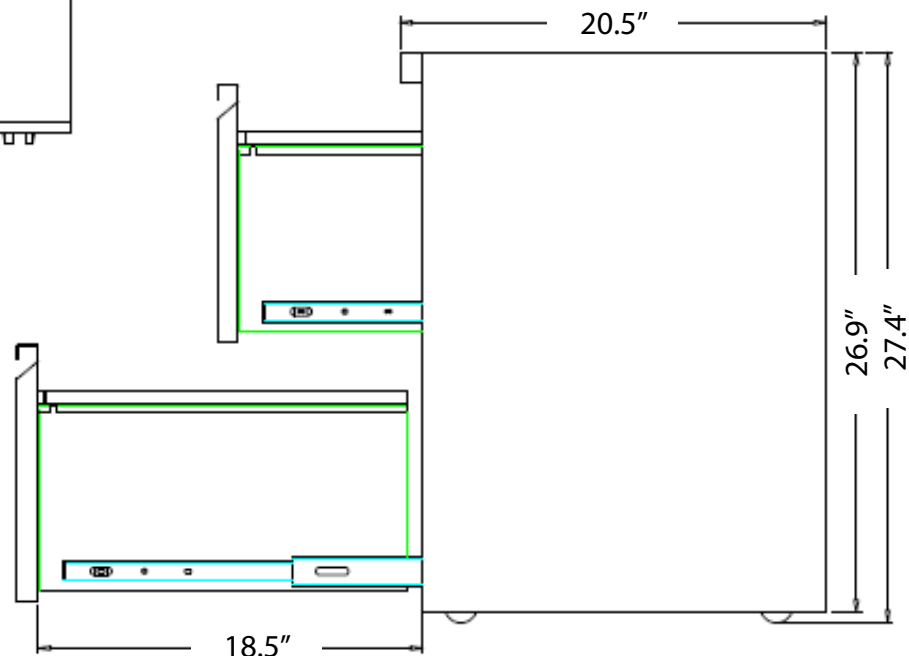
- Three Step Ball Bearing Suspension
- Powder Coating: 40u-80u
- Body: 22 Gauge (0.027")
- Drawer Front: 22 Gauge (0.027")
- Bottom: 21 Gauge (0.031")
- Top: 18 Gauge (0.047 in)
- Optional Seat Cushion sold separately (SKU: SC-FP-MP)



Front View



Top View



Side View

STORAGE SPECIFICATIONS

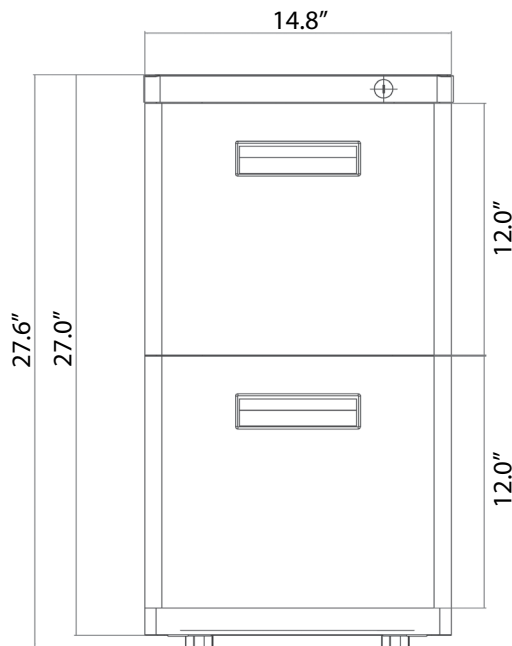
FF-SP MOBILE PEDESTAL (20"D)

SKU: FF-SP-MP

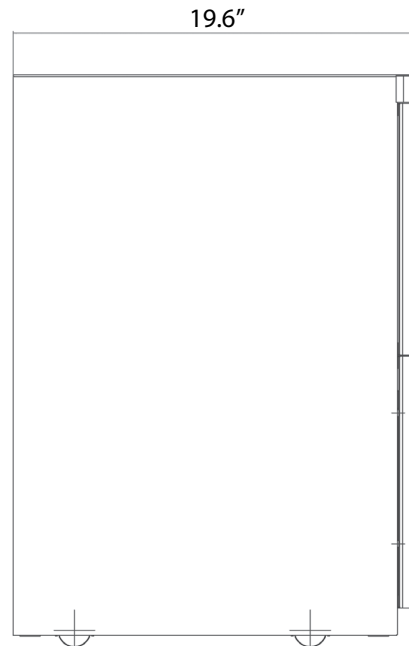
DESCRIPTION: FILE/FILE-SQUARE PULL-MOBILE PEDESTAL (20"D)

FEATURES

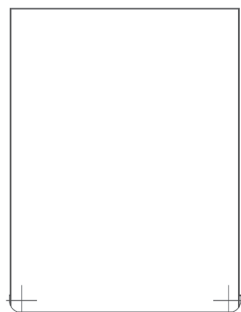
- Heavy Gauge Steel Structure
- Three Step Ball Bearing Suspension
- Anti-tilt Counterweight
- Removable Lock Core
- Powder Coating: 40u-80u
- Body: 22 Gauge (0.027")
- Drawer Front: 22 Gauge (0.027")
- Bottom: 21 Gauge (0.031")
- Optional Seat Cushion sold separately (SKU: SC-SP-MP)
- Weight: 56.22 lb.



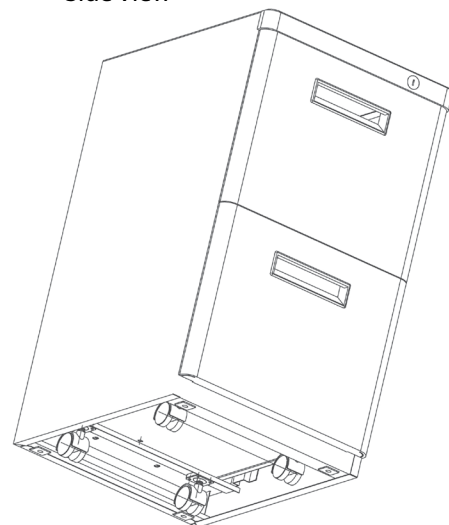
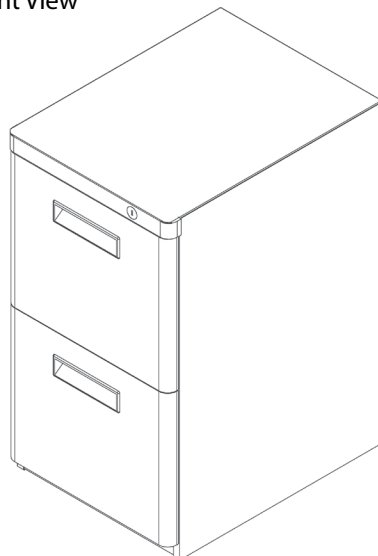
Front View



Side View



Top View



STORAGE SPECIFICATIONS

BBF-FP BUDGET MOBILE PEDESTAL (20"D)

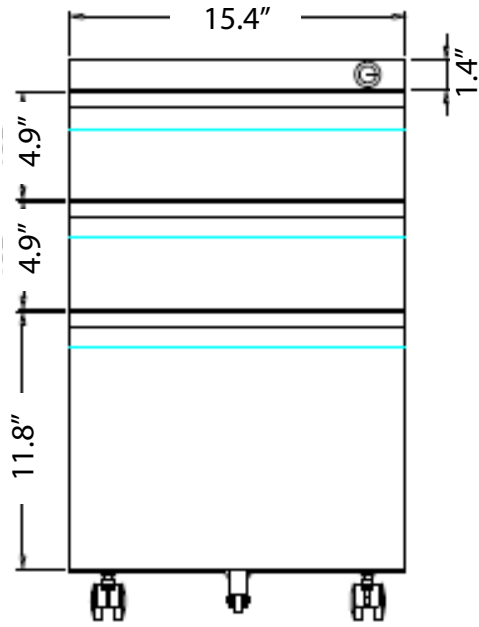


SKU: BBF-FP-MPB

DESCRIPTION: BOX/BOX/FILE-FULL PULL-BUDGET MOBILE PEDESTAL (20"D)

FEATURES

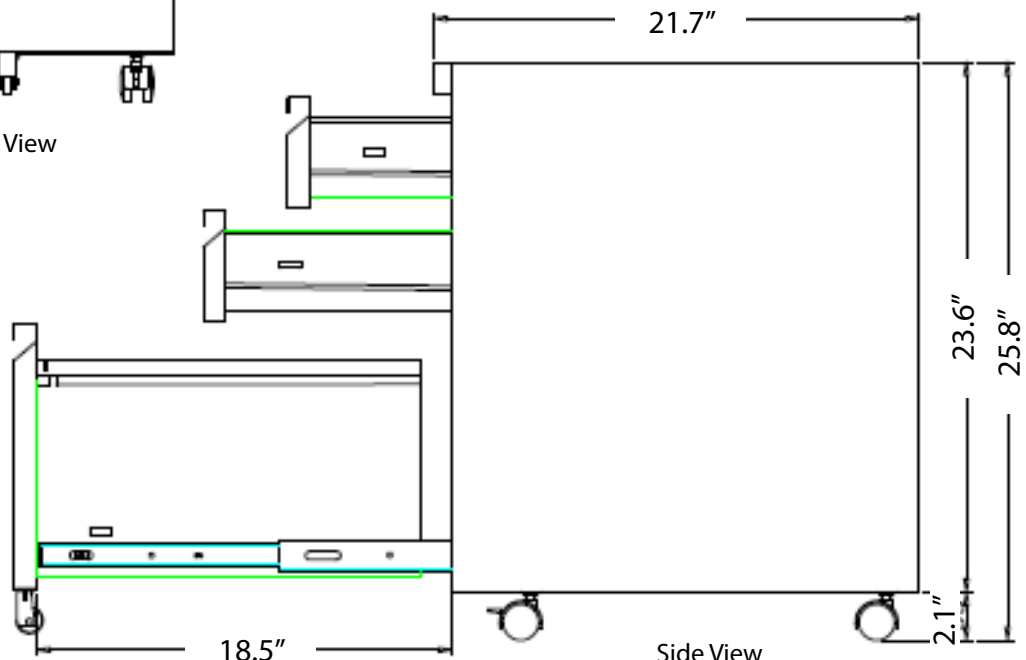
- Three Step Steel Ball Bearing Suspension
- Powder Coating: 40u-80u
- Body: 22 Gauge (0.027")
- Drawer Front: 22 Gauge (0.027")
- Bottom: 21 Gauge (0.031")
- Drawer: 22 Gauge (0.027 in)
- Top: 18 Gauge (0.047 in)
- Optional Seat Cushion sold separately (SKU: SC-MPB)



Front View



Top View



Side View

STORAGE SPECIFICATIONS

BF-FP DESKING MOBILE PEDESTAL (20"D)



SKU: DS-BF-FP-M

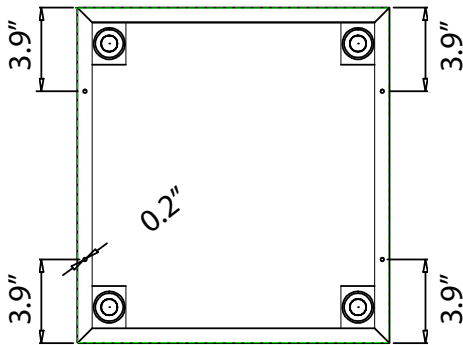
DESCRIPTION: BOX/FILE-FULL PULL-DESKING MOBILE PEDESTAL (20"D)

FEATURES

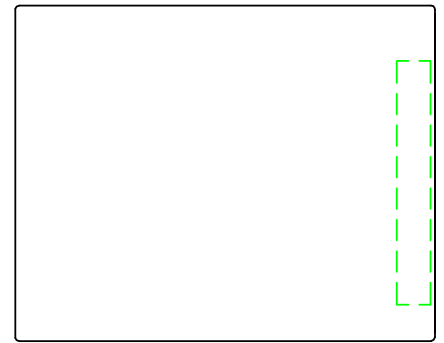
- This box file pedestal comes with a full pull and casters.
- Three Step Steel Ball Bearing Suspension
- Powder Coating: 40u-80u
- Compatible with our Powered Adjustable Height Table bases
- Optional Seat Cushion sold separately (SKU: DS-SC15)
- Weight Capacity: 300 lb.



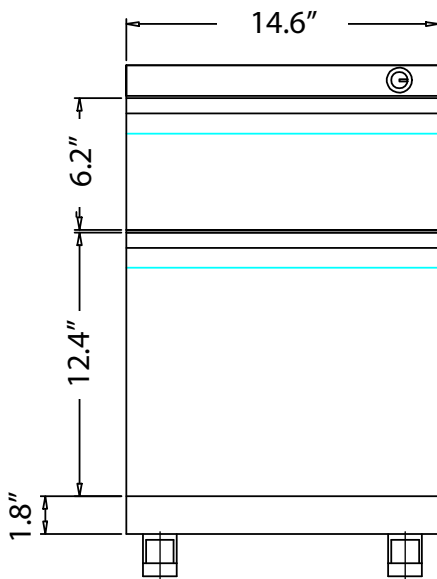
Bottom View



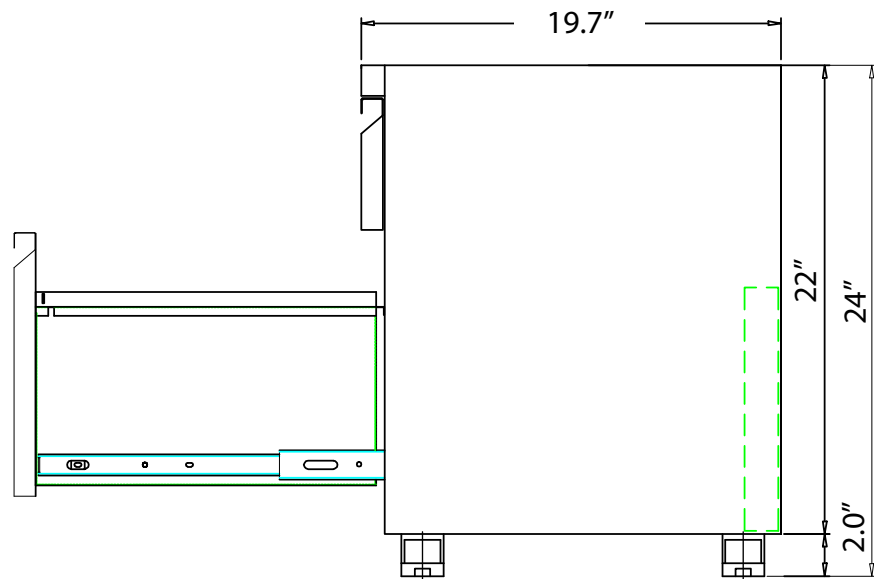
Top View



Front View



Side View



STORAGE SPECIFICATIONS

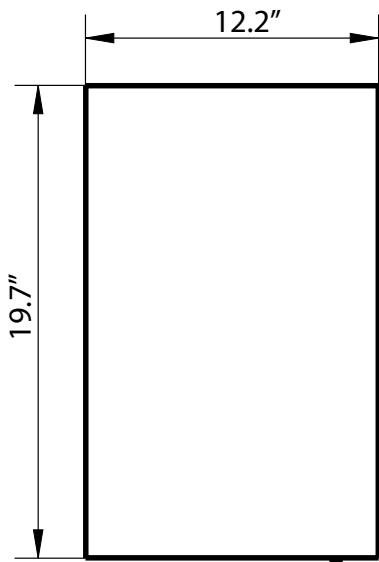
BBF-FP MOBILE PEDESTAL (12" W)

SKU: BBF-FP-MP-12

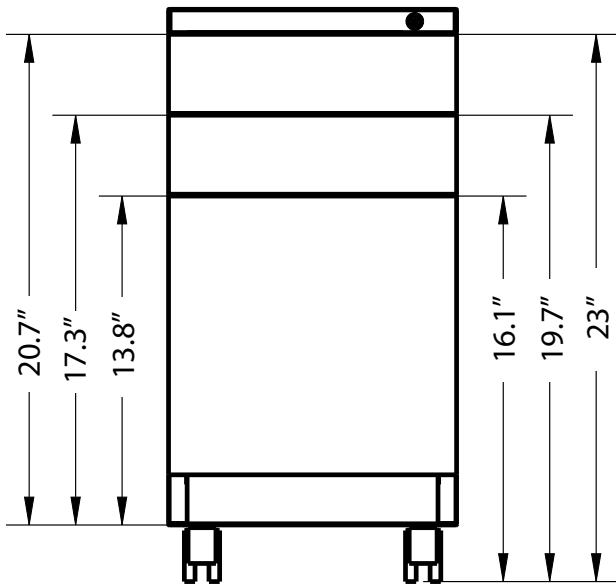
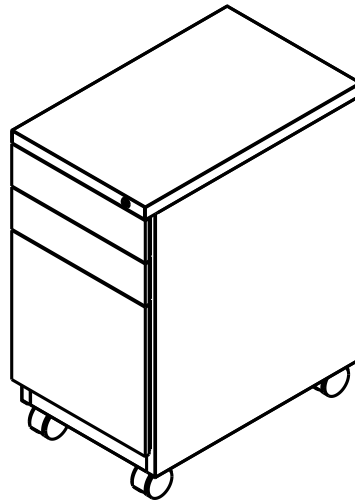
DESCRIPTION: BOX/BOX/FILE-FLUSH PULL-MOBILE PEDESTAL (12"W)

FEATURES

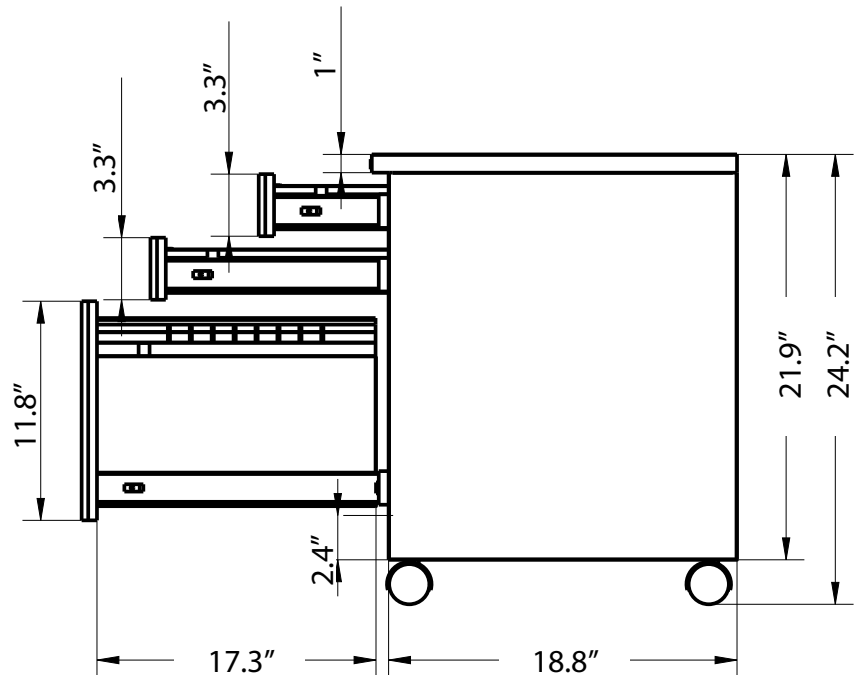
- Three Step Steel Ball Bearing Suspension
- Powder Coating: 40u-80u
- Body: 22 Gauge (0.027 in)
- Drawer Front: 22 Gauge (0.027 in)
- Bottom: 24 Gauge (0.023 in)
- Drawer: 22 Gauge (0.027 in)



Top View



Front View



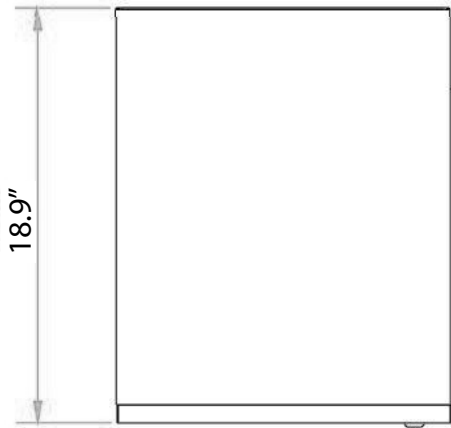
Side View

STORAGE SPECIFICATIONS

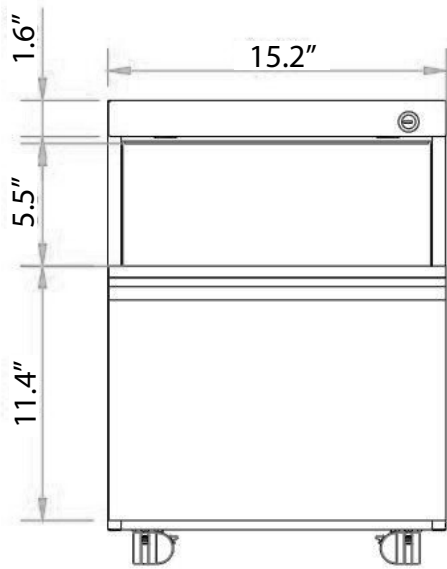
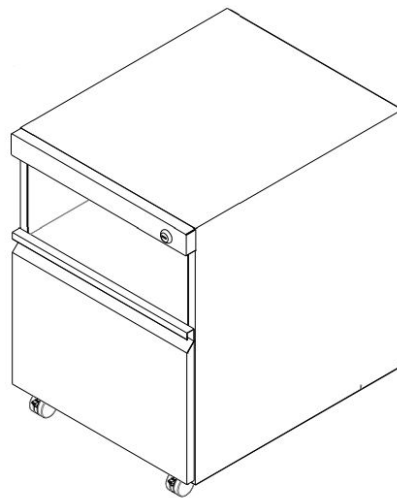
SP-FP MOBILE PEDESTAL

SKU: SP-FP-M.XX

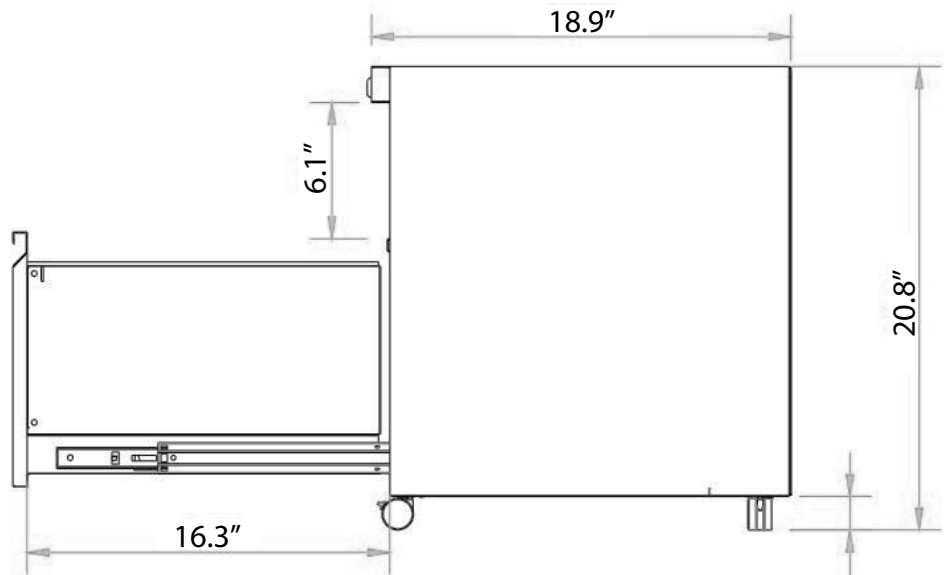
DESCRIPTION: STORAGE FILE-FULL PULL-MOBILE PEDESTAL



Top View



Front View



Side View

1.5"