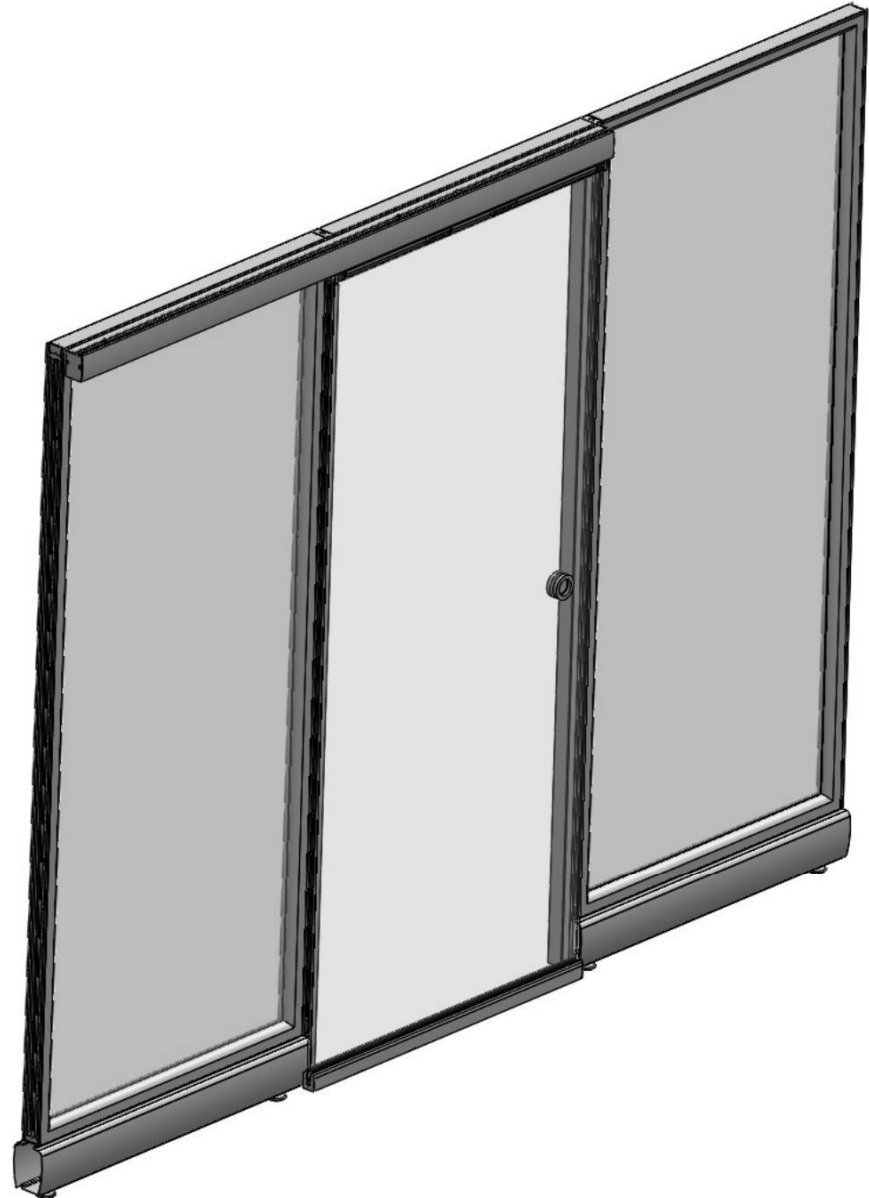


85H SLIDING DOOR

ASSEMBLY GUIDE



Assembly Guide

Step 1

- 1) Attach the gasket to the door glass.
- 2) Install top or bottom door rail on to the glass door body.
- 3) Make sure to tighten the screws indicated by the red marks shown in the picture after
- 4) Repeat the process with the remainder top or bottom door rail.

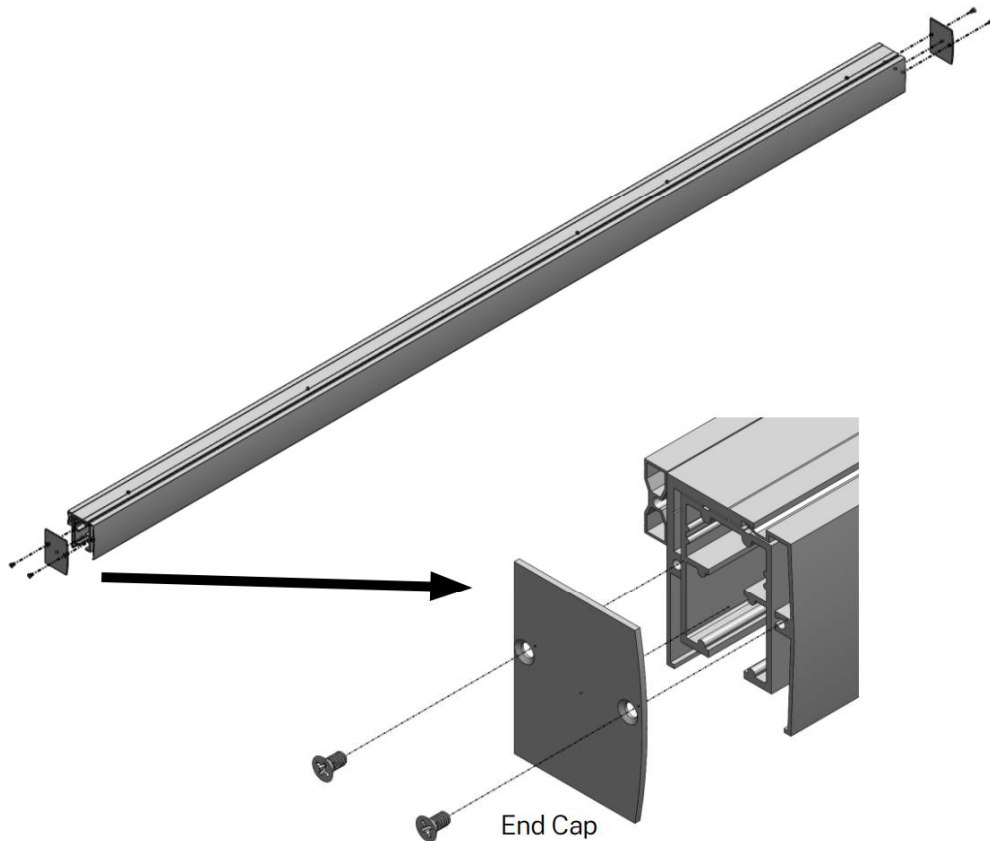


ASSEMBLY GUIDE

NOTE: Before assembling the Sliding door, install the door frame in desired location. Make sure the frame is secured and is level. Door frame must be supported on both sides of the door opening.

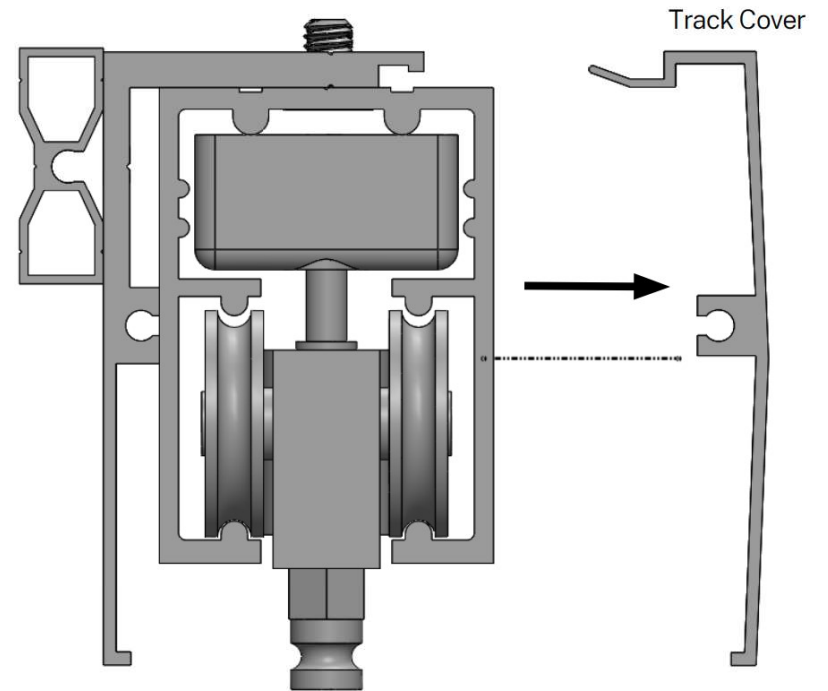
Step 2

Disassemble the end caps of the track from the track assembly by removing (2) screws (M4x10mm, Phillips flat head screw) on either end. Set these screws aside for later use.



Step 3

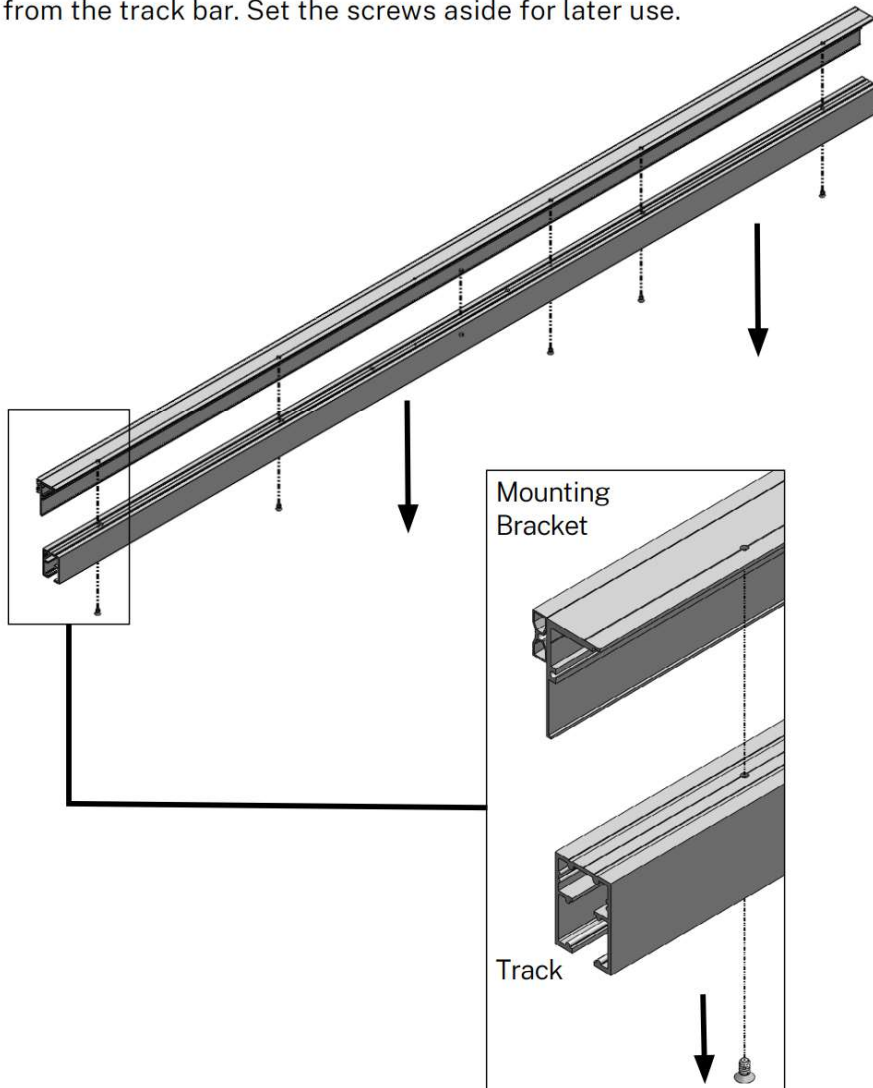
Detach the track cover from the side of the track assembly by lifting it up and sliding it out.



ASSEMBLY GUIDE

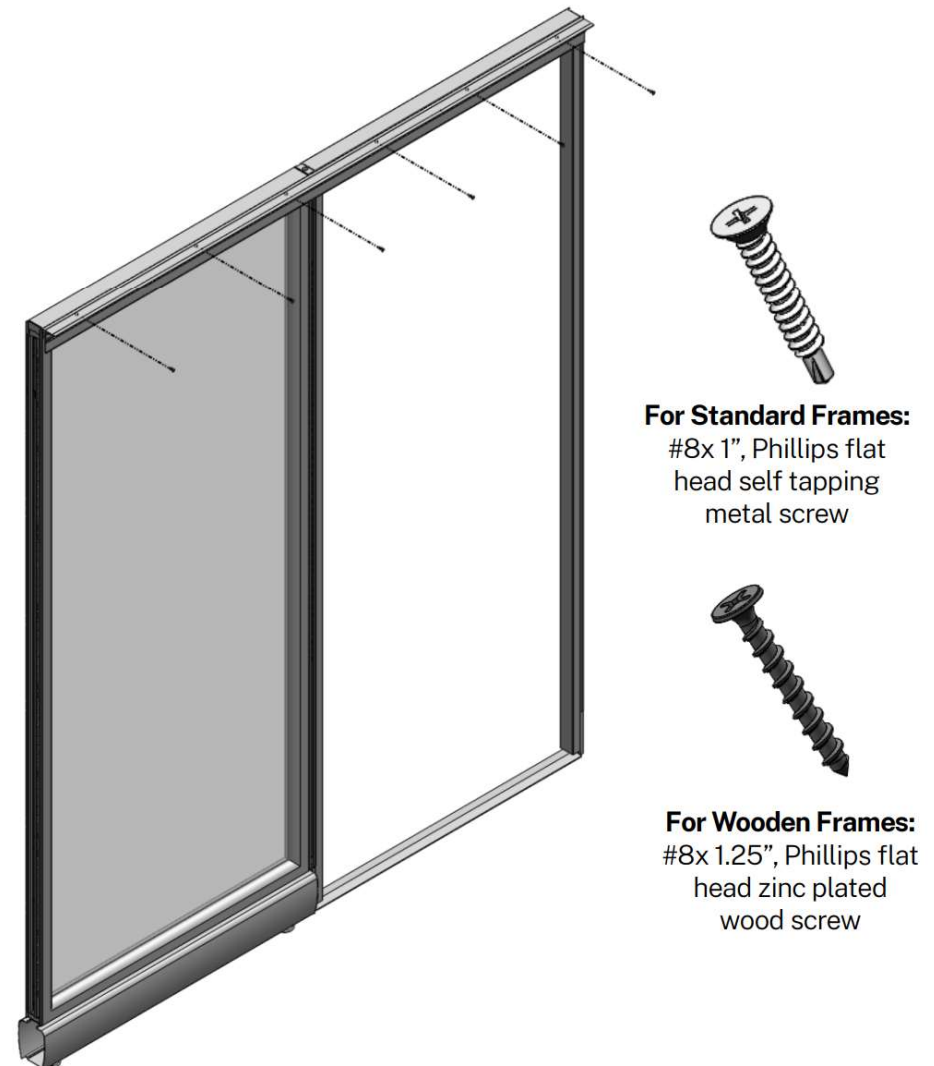
Step 4

Remove (5) screws (M5x.8mm, 10mm long flat head screw) from inside the track to separate the mounting bracket from the track bar. Set the screws aside for later use.



Step 5

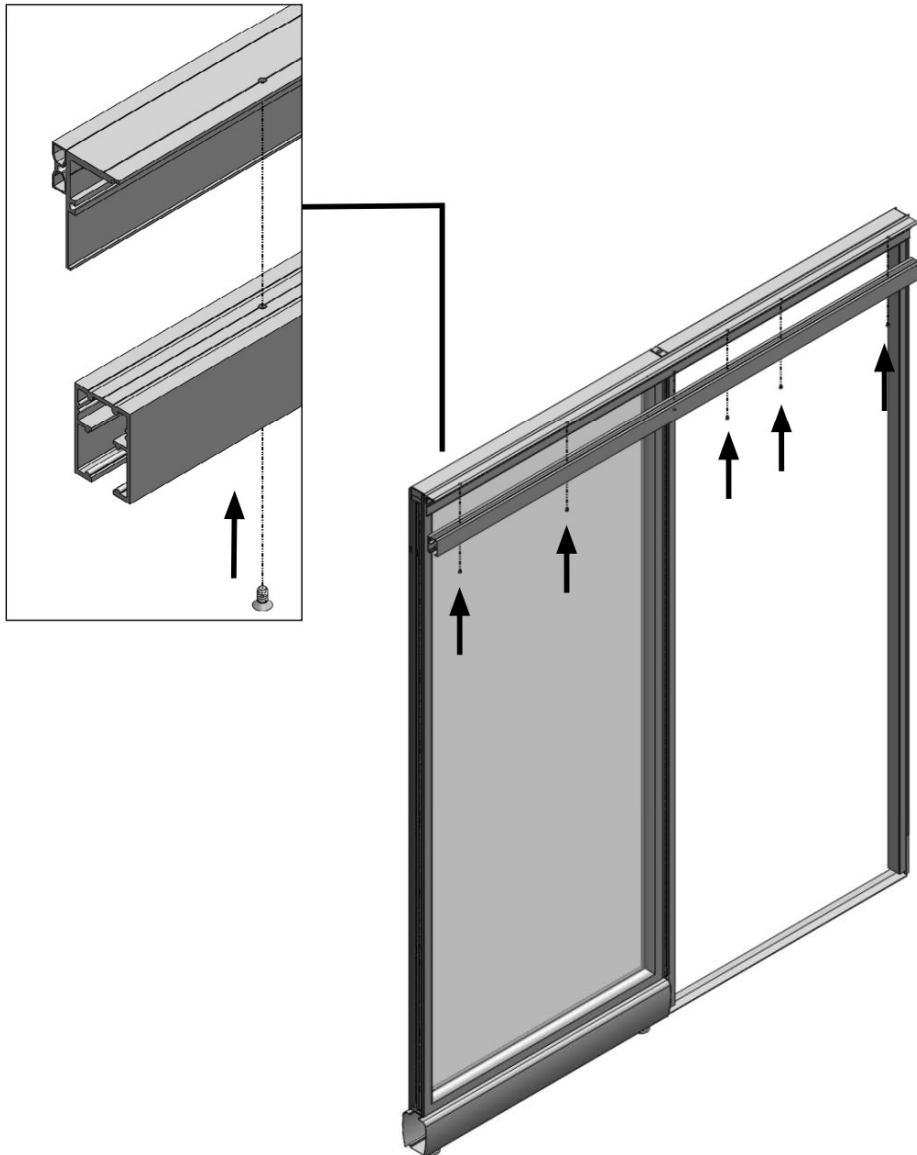
Determine the direction you want your door to slide (left shown below) and align the mounting bracket with the top of the frame. Using self-tapping screw (#8x 1", Phillips flat head self tapping metal screw or #8x 1.25", Phillips flat head zinc plated wood screw), assemble the mounting bracket to the frame.



ASSEMBLY GUIDE

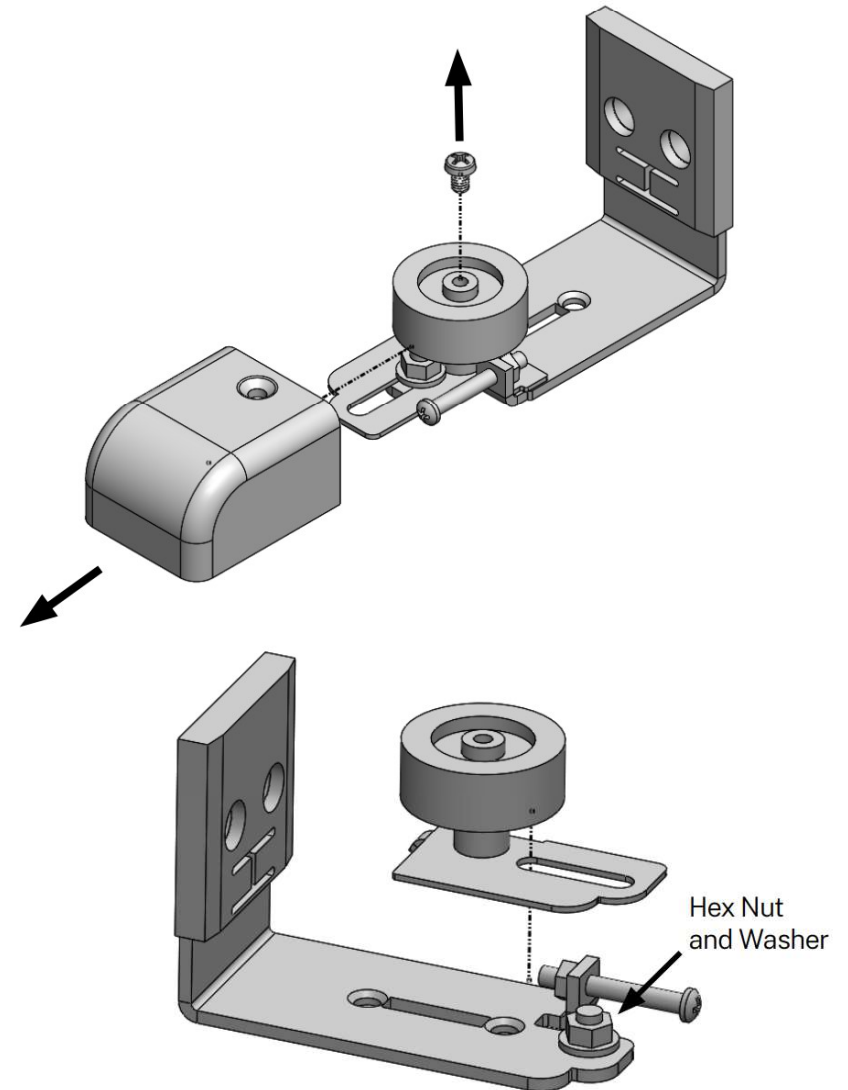
Step 6

Re-assemble the track to the bracket using (5) screws (M5x.8mm, 10mm long flat head screw) from step 3.



Step 7

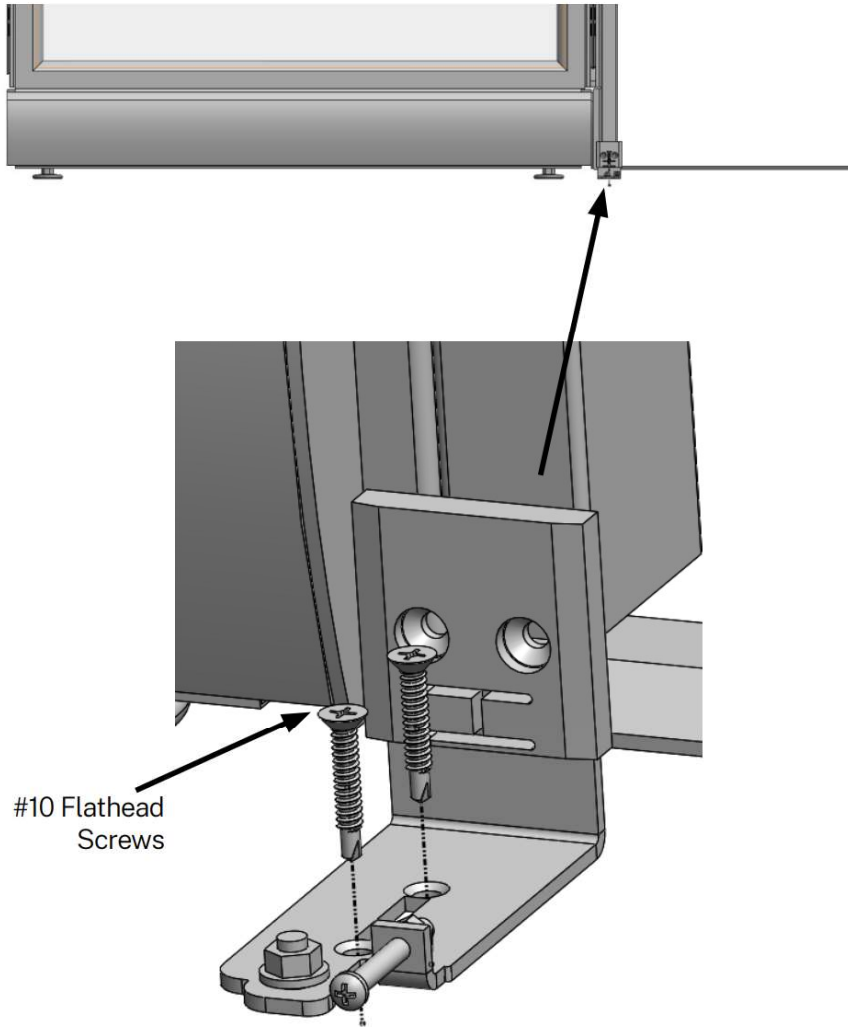
Disassemble the glide cover by removing the top screw and set it aside for later. Using a wrench, remove the hex nut and washer to take off the glide wheel and set it aside for later.



ASSEMBLY GUIDE

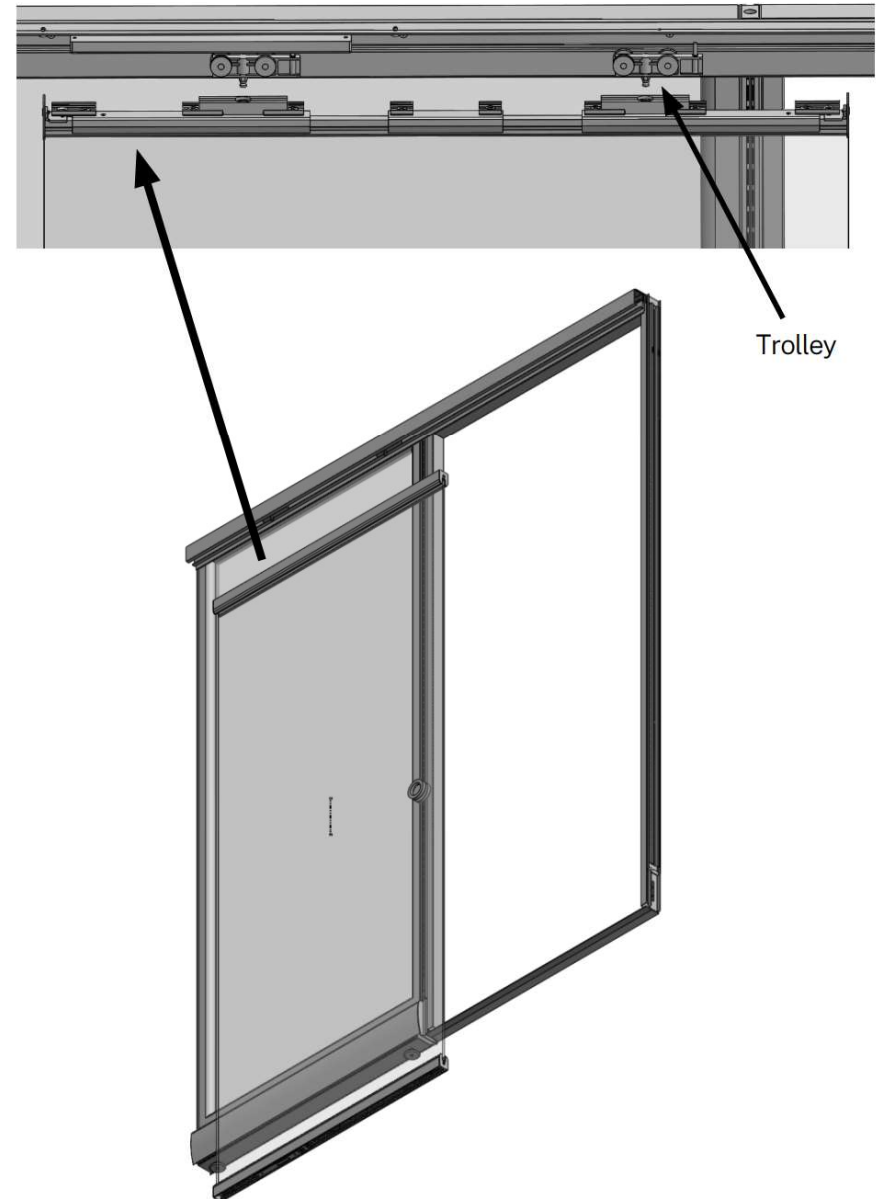
Step 8

Align the glide bracket to the door frame and the floor and position it 3/8" away from the door frame. Using (2) #10, flat head screws (Installer supplied) assemble the glide bracket to the floor.



Step 9

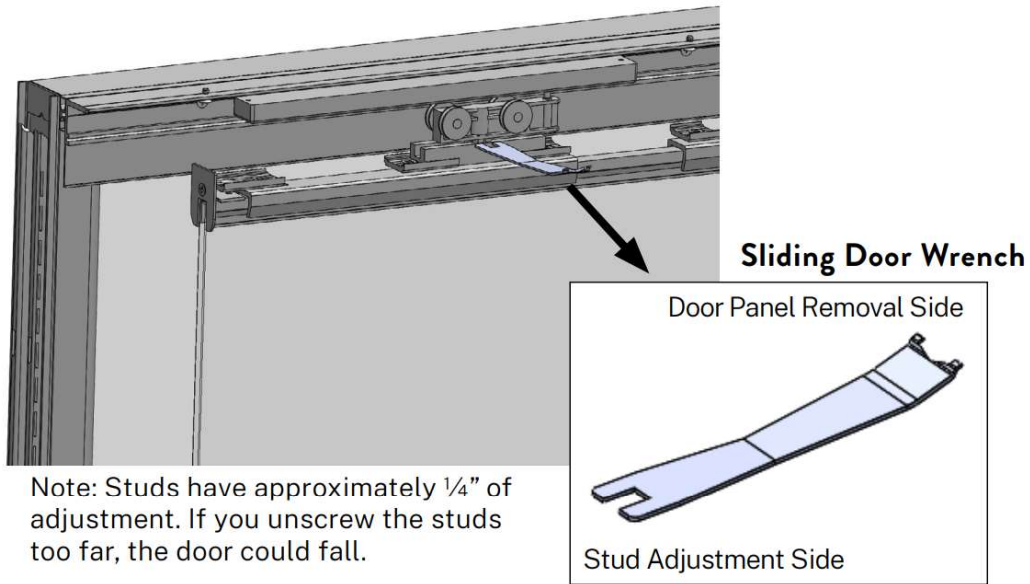
Align the studs on the trolley (in the track) with the brackets on the glass door top. With the help of another person, lift the glass door and lock it, listen for the click.



ASSEMBLY GUIDE

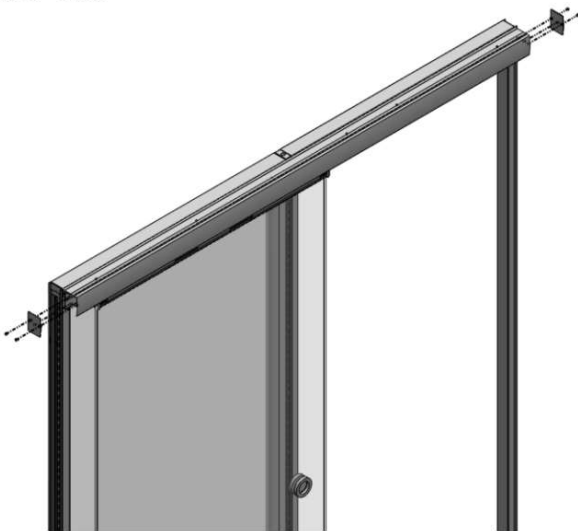
Step 10

Use the sliding door wrench to adjust the studs to level the door.



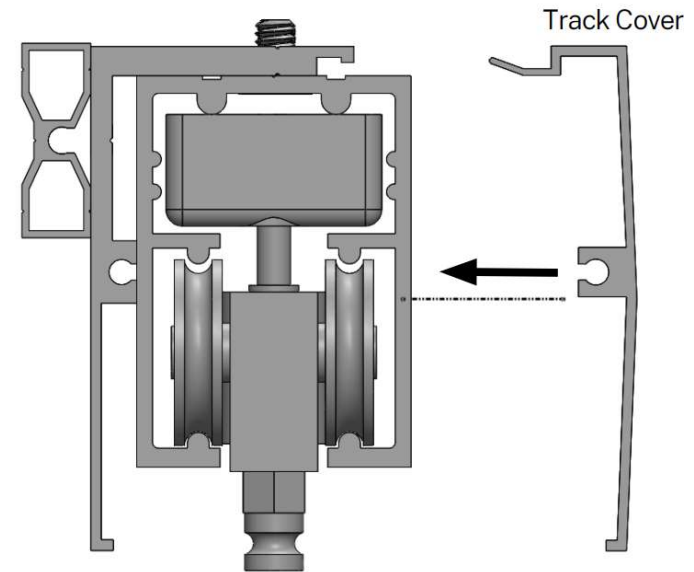
Step 12

Once everything is aligned, assemble the end caps on the track using (2) screws (M4x10mm, Phillips flat head screw) on either end.



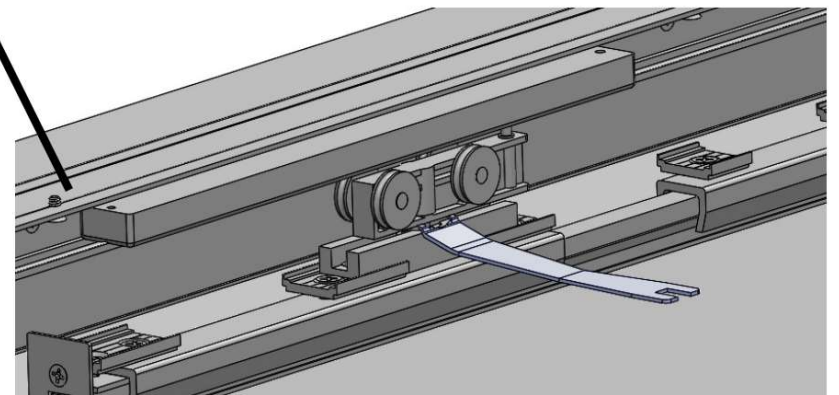
Step 11

Reinstall the track cover



Note

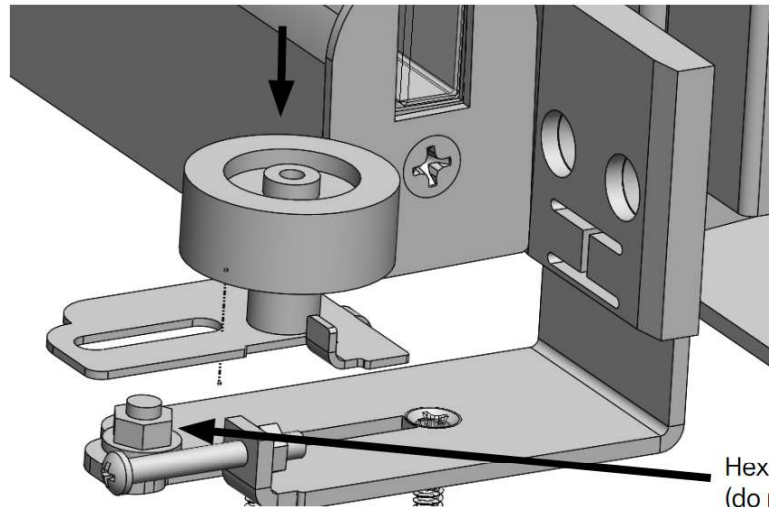
In case the glass panel needs to be removed, use the wrench tool. Slide in the wrench into the trolley clip and press the clip to disassemble the stud, thus releasing the glass panel.



ASSEMBLY GUIDE

Step 13

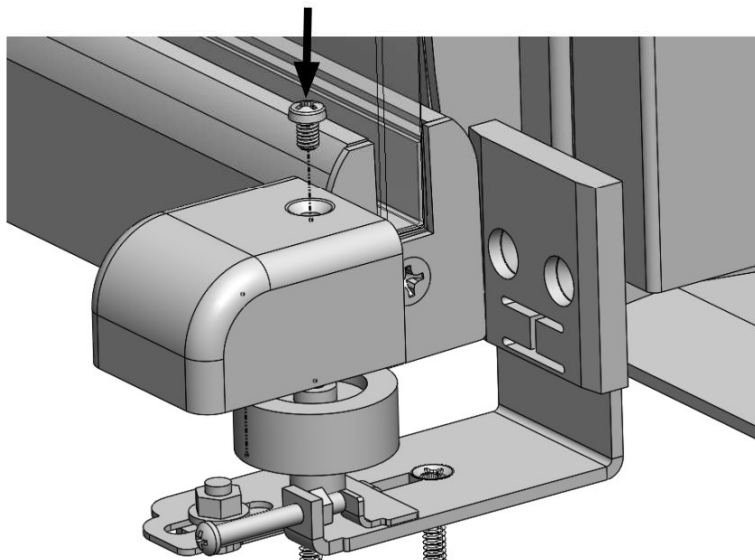
Slide in the glide wheel onto the bracket and reinstall the Hex nut and washer, do not tighten it.



Hex nut and washer
(do not tighten until
after step 13)

Step 15

Reinstall the glide cover with the original screw.



Step 14

Use the adjusting screw and the hex nut to position the glide wheel so that it reduces the wobbling in the glass panel. Make sure the door opens and closes smoothly. Now, tighten the locknut and Hex nut.

