



# TABLE OF CONTENTS

## OVERVIEW

Process Overview .....	3
Component Overview .....	4

## PANEL FRAME INSTALLATION

Connecting Panel Frames Together.....	5
Securing Panel Frames With C-Clips .....	6
Wall Starter Installation.....	7
Leveling the Frames.....	8
Open Base Installation.....	8

## POWER INSTALLATION

Electrical Overview.....	9
Electrical Installation .....	10
Power Pole Installation .....	10

## TILE INSTALLATION

Base Cover Installation.....	11
Panel Tile Installation.....	11
Accessory Hanging Tile Installation .....	12

## COMPONENT INSTALLATION

Top Cap Assembly and Installation.....	13
Frameless Glass Top Cap Installation.....	14
Finished End Line Assembly and Installation.....	15

## WORK SURFACE INSTALLATION

Cantilever Installation.....	16
------------------------------	----

## OVERHEAD INSTALLATION

General Overhead Installation .....	17
Overhead Sliding Door Installation .....	17
Binder Bin w/ Receding Door Installation .....	18

## FIELD INSTALLATION

Bayonet Stack-On Unit Field Installation.....	20
Field Electrical Installation With Power Harness .....	21

## INSTALLATION TIPS

Installation Tips.....	22
------------------------	----

## PARTS INDEX

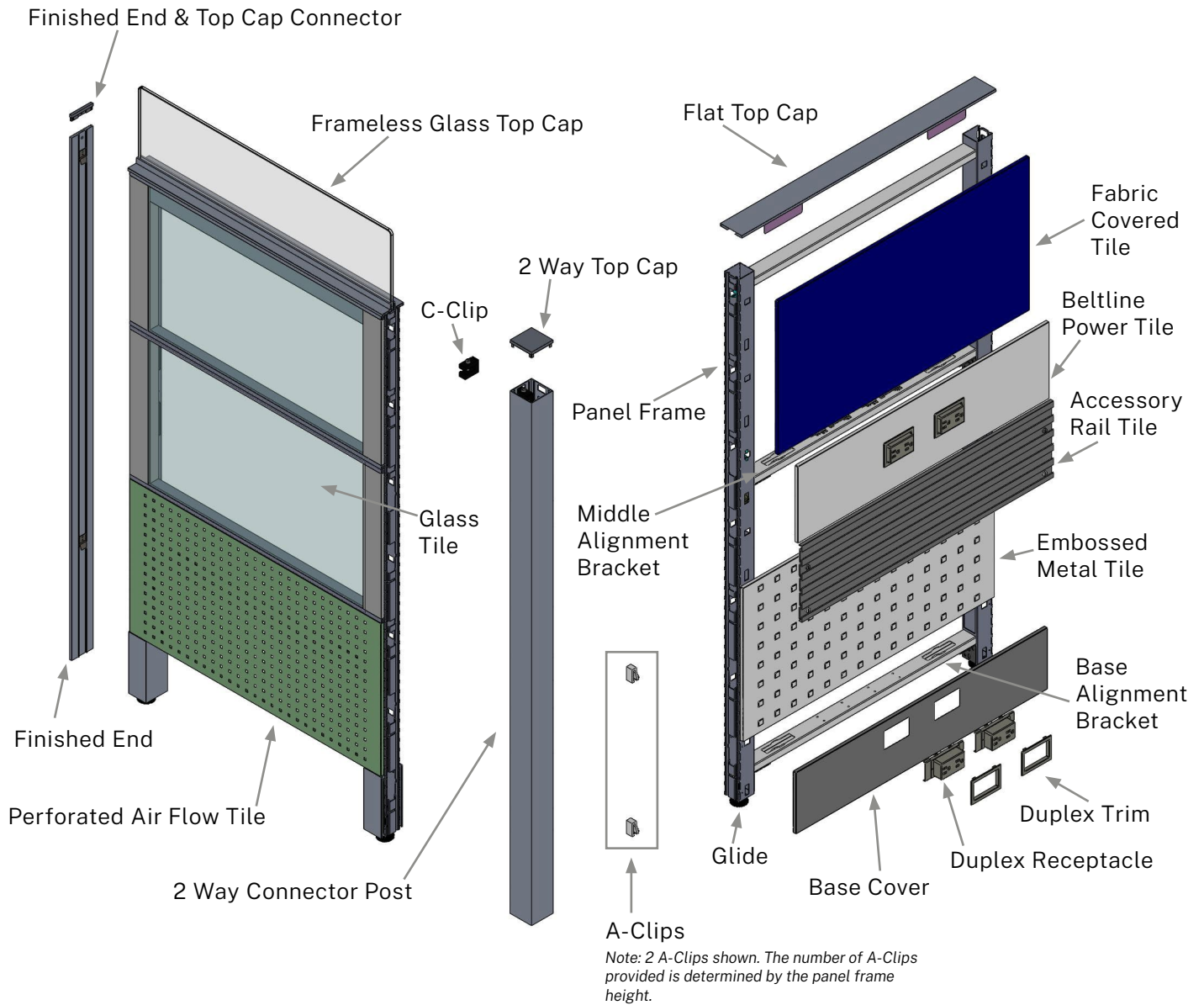
Screws .....	23
Clips.....	23
Included Tools.....	23
Recommended Tools.....	23

# PROCESS OVERVIEW

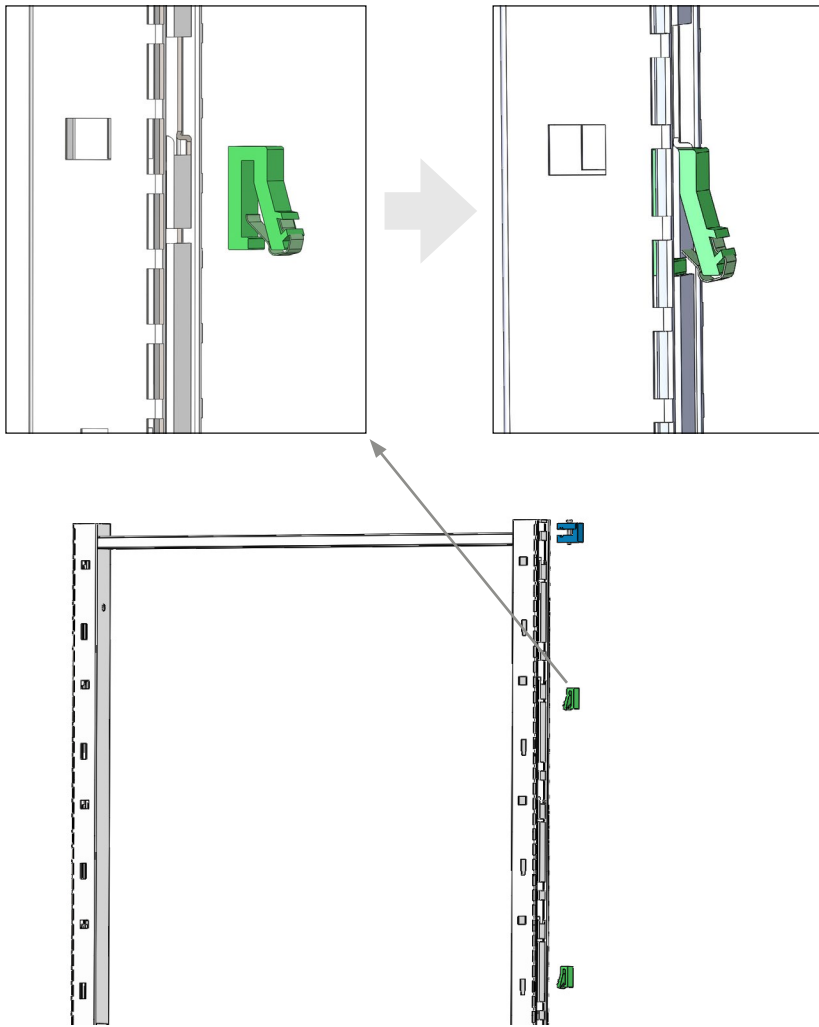
## Evo 2.5 Installation Overall Process

- 1** Unwrap boxes
- 2** Organize similar items into groups:
  - A. Frames and Power
  - B. Tiles
  - C. Topcaps and finished ends
  - D. Screws, clips, and hand tools
- 3** Place and connect frames and connectors with A-Clips
- 4** Connect frames with C-Clips
- 5** Level the structure using the glides
- 6** Connect power using festoons and power entry kit
- 7** Install duplexes
- 8** Install baseplates
- 9** Put on tiles, from base to top
- 10** Install Top Caps and Finished Ends
- 11** Install overhead storage
- 12** Install work surface support brackets
- 13** Install work surfaces
- 14** Install work surface accessories

# EVO 2.5 COMPONENT OVERVIEW



# PANEL FRAME INSTALLATION



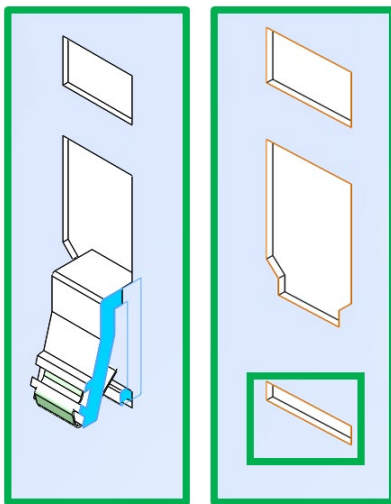
## Connecting Panel Frames Together

- 1** Remove Top Caps from connectors prior to installation
- 2** Insert the A-Clip connector into the panel you are about to install.
- 3** Slide it down while depressing the spring steel clip. Wait to hear the snap to let you know that it's secured.
- 4** With the A-Clips installed, insert the end of the panel into an installed panel or connector. This will setup the panel to be secured and provide a strong connection.

*Note: Do not adjust glides until all frames are installed.*

### Proper clip placement:

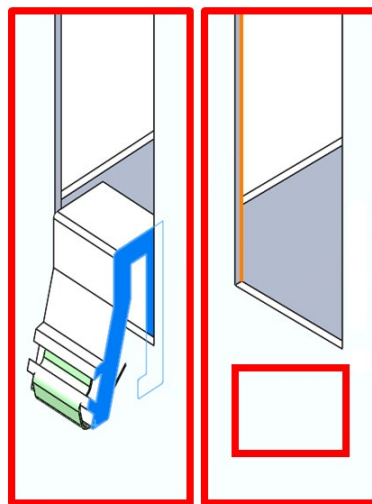
There needs to be a slot for the A-Clip to clip securely into place.



Slot

### Improper clip placement:

Without a slot as shown below, the A-Clip will not stay in place.



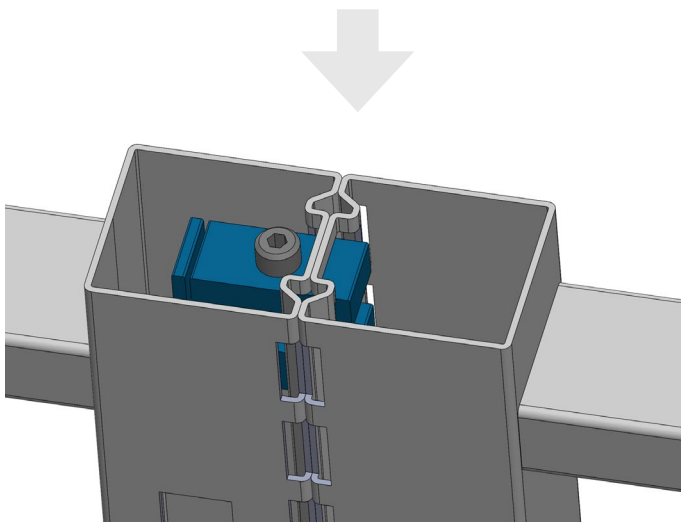
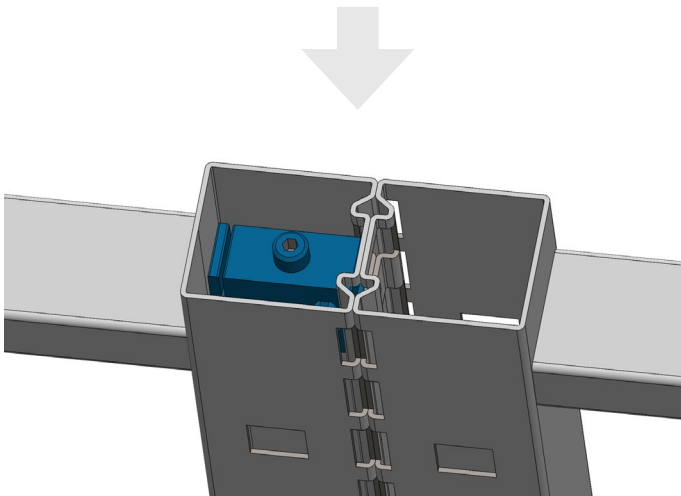
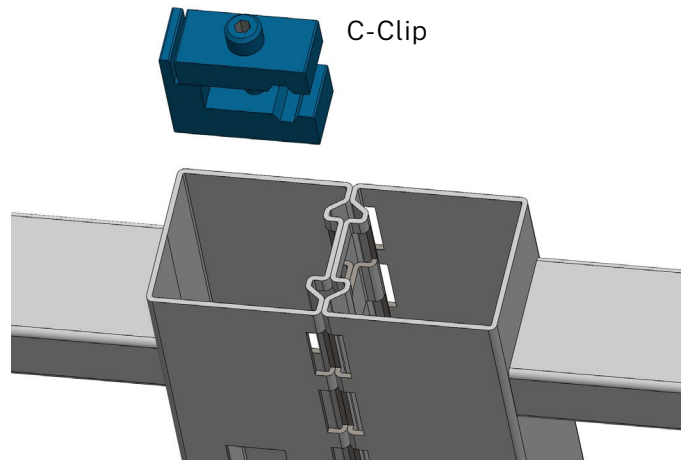
No Slot

## Clip Amount By Panel Height

FRAME HEIGHT	C-CLIPS	A-CLIPS
30" H Panel Frame	1	2
38" H Panel Frame	1	2
46" H Panel Frame	1	2
54" H Panel Frame	1	2
62" H Panel Frame	1	2
70" H Panel Frame	1	3
78" H Panel Frame	1	3
86" H Panel Frame	1	3
102" H Panel Frame	1	4

*Note: A-Clips should be spaced out evenly along frame rail.*

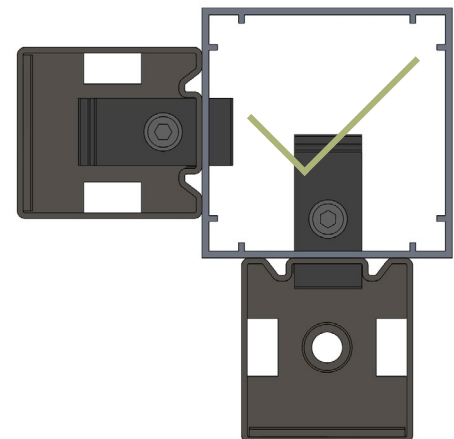
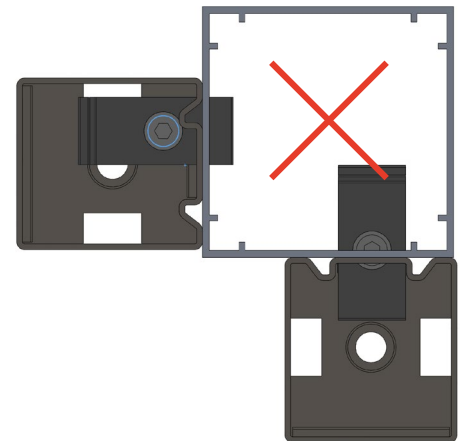
# PANEL FRAME INSTALLATION



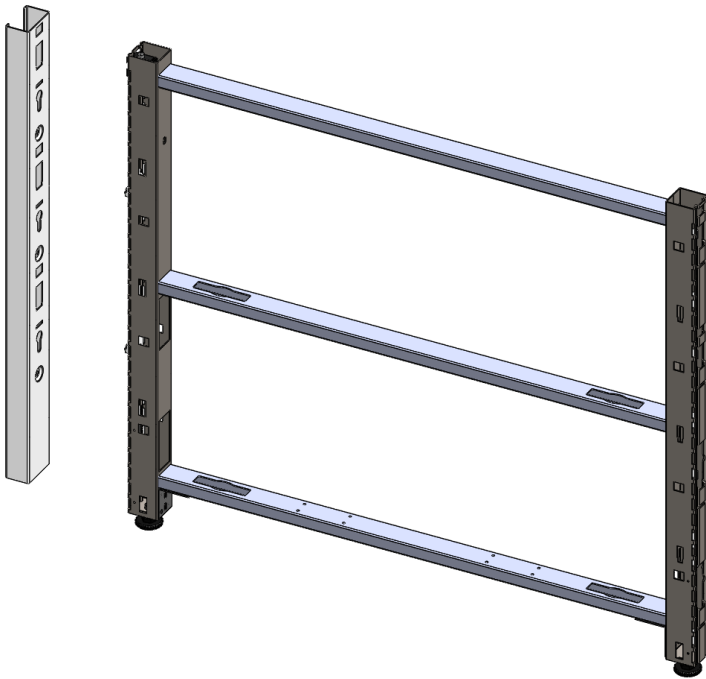
## Securing Panel Frames with C-Clips

- 1** Insert the C-Clip connector using the bent needle nose pliers.
- 2** Use a 5mm allen wrench to tighten and secure the panels together.

*Note: C-Clips are only used at top of the Panel Frame. Make sure C-Clips are centered when installed.*



# PANEL FRAME INSTALLATION

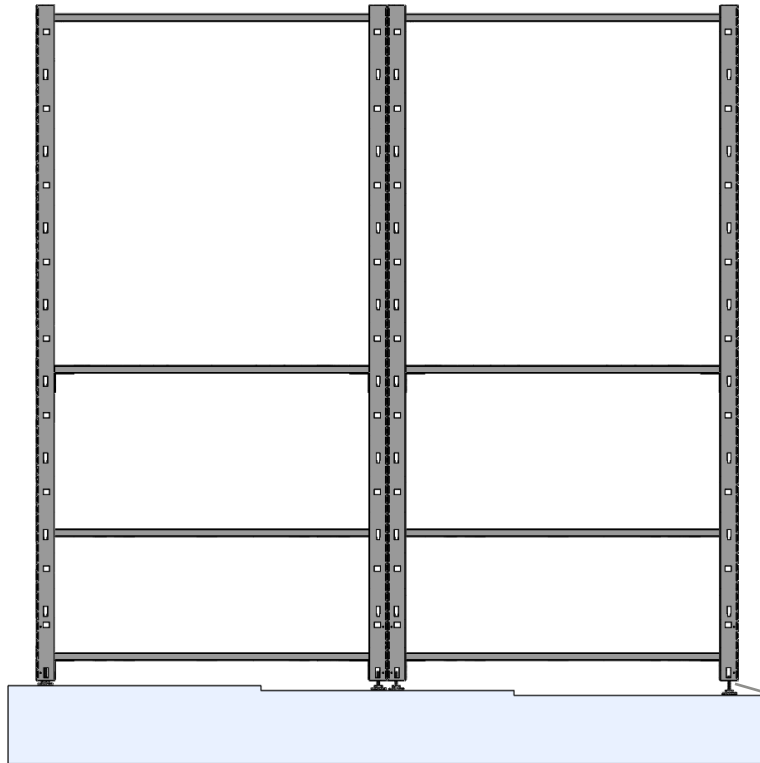


## Wall Starter Installation

- 1** Find stud/support in wall.
- 2** Level the top of the wall starter with the top of the panel frame you intend to attach it to.
- 3** Attach wall starter to wall using appropriate hardware.
- 4** Attach to Panel Frame using the A-Clips and C-Clips provided.

*Note: Hardware to attach wall starter not included.*

# PANEL FRAME INSTALLATION

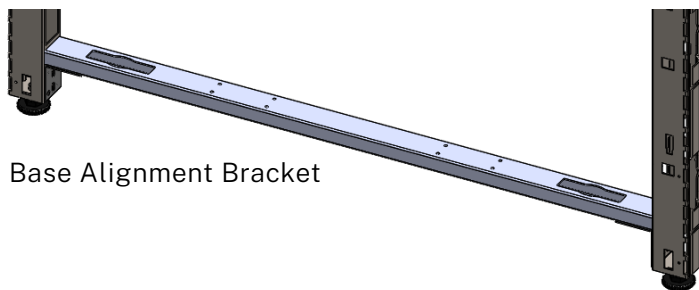
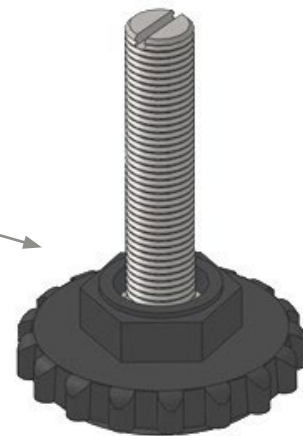


## Leveling the Frames

- 1 Rotate glide clockwise or counter-clockwise to adjust the frame height using your hands or the supplied wrench.

*Note: Levels can adjust up to 3/4" of variance.*

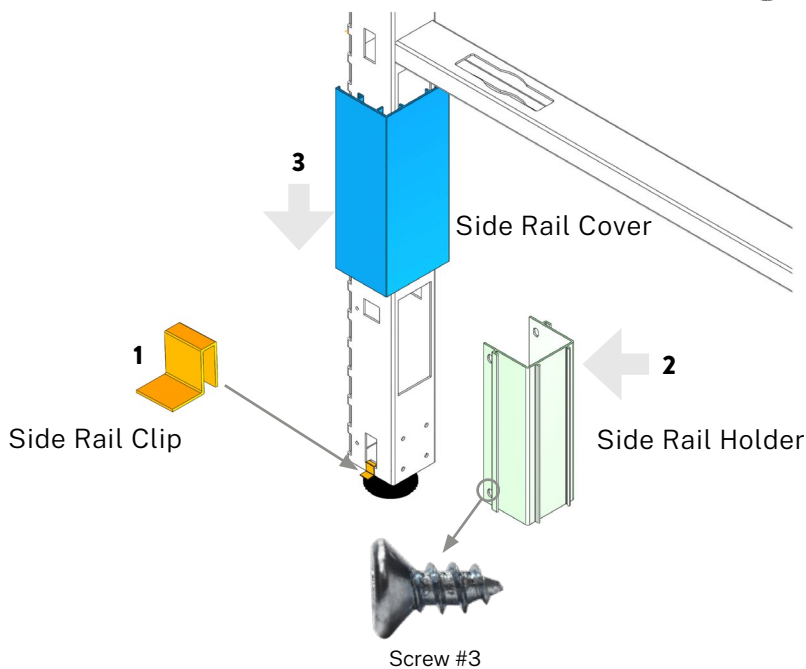
*Note: Frames should be leveled before installing tiles.*



Base Alignment Bracket

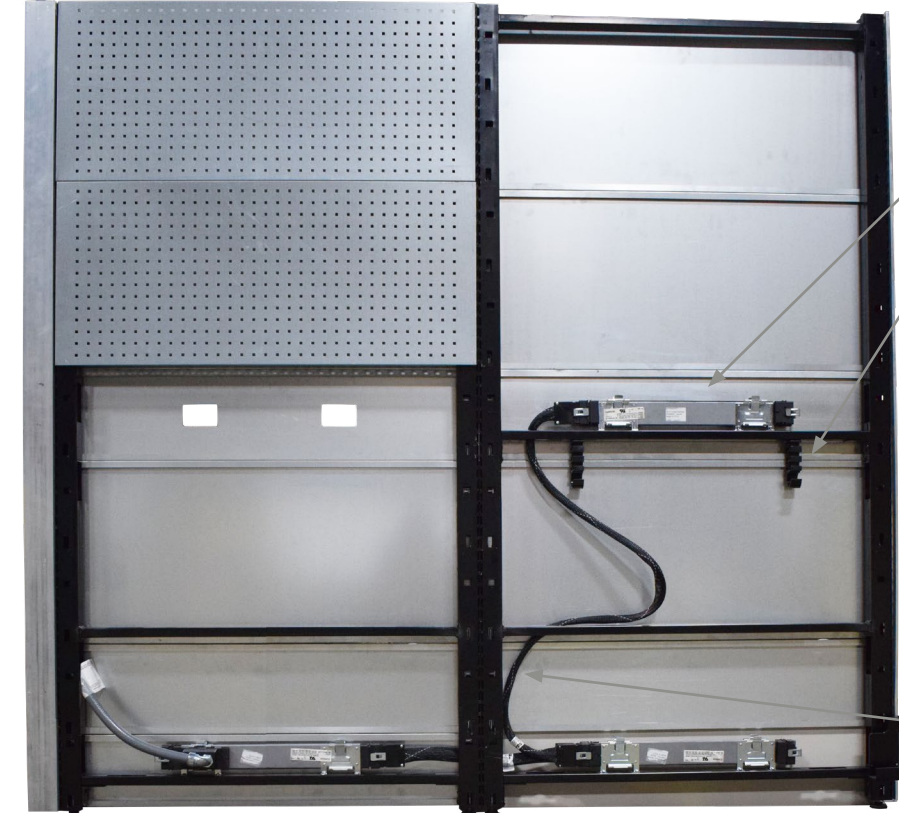
## Open Base Installation

- 1 Remove the base alignment bracket.
- 2 Install the side rail clips that will secure the side rail covers.
- 3 Attach the side rail holders to each side of the open base and secure them with the included screws.
- 4 Once installed, slide the side rail covers over the holders.



# ELECTRICAL OVERVIEW

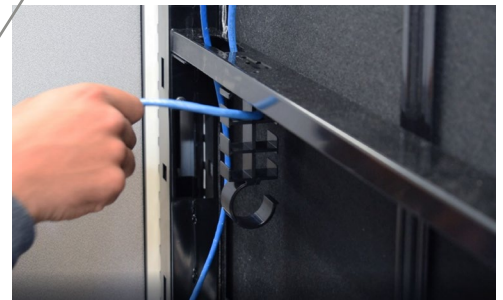
Ceiling Power Entry



## Ceiling Power Entry Kit

Power Harness

Wire Management Clip



Wire Management Clips twist and secure into the alignment bars to create an organized wire management system inside the panel frames.

Festoon Cable



## Base Power Entry Kit

Power Harness

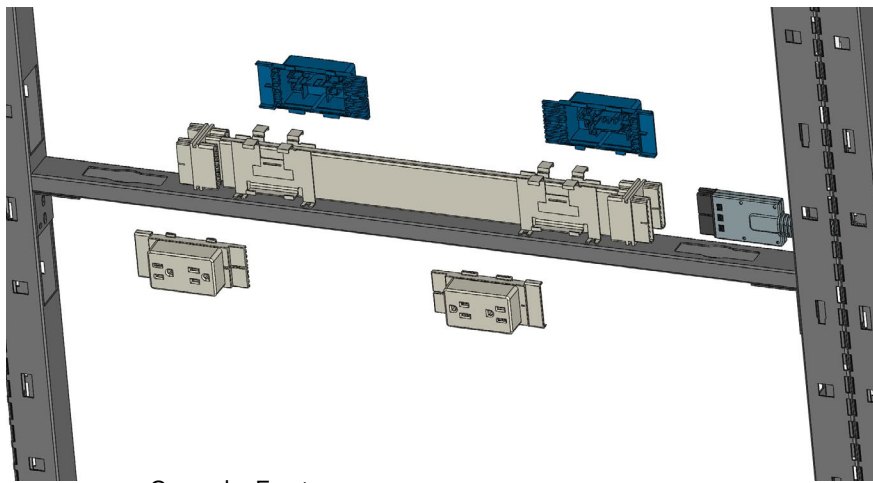
Wire Management Clip

Festoon Cable

Base Power Entry

*Note: Power Harnesses come installed on frame. Data can be fed through any entry point on the bottom of the panel*

# POWER INSTALLATION



Sample Festoon

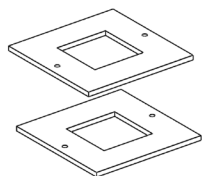


Festoons are available in (3) versions: 18.5", 21.5" and Base line to Beltline.	65P-PTP	18.5" Festoon
	65P-PTC	21.5" Festoon
	65P-BL-ML	Base Line to Beltline festoon

## Electrical Installation

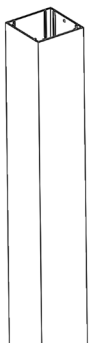
- 1** Mount any duplexes onto the powerstrip by snapping them into place.
- 2** Attach festoons to the power harnesses throughout the system.
- 3** Once everything is connected, connect the festoon to the power entry kit and test the power.

*Note: Power harnesses are pre-installed into their panels. If you need to install a power harness, instructions are located in the Field Installation section.*



### Ceiling Trim Ring

The Ceiling Trim Ring installs into the ceiling by putting the brackets on both sides of the ceiling panel then screwing them together.



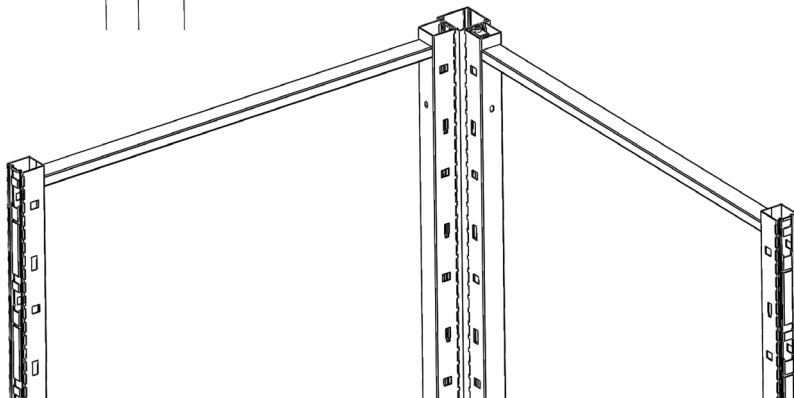
Top of Power Pole



Bottom of Power Pole



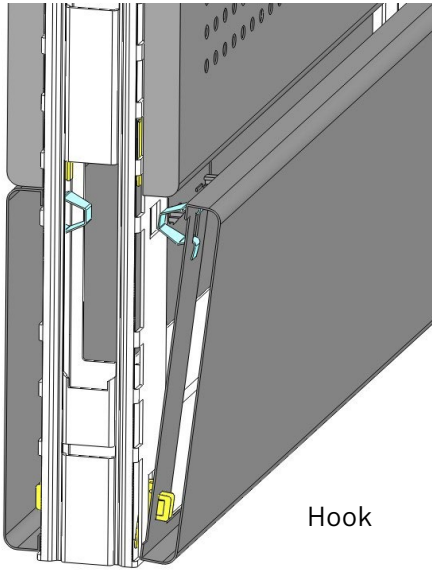
Power Pole Connector



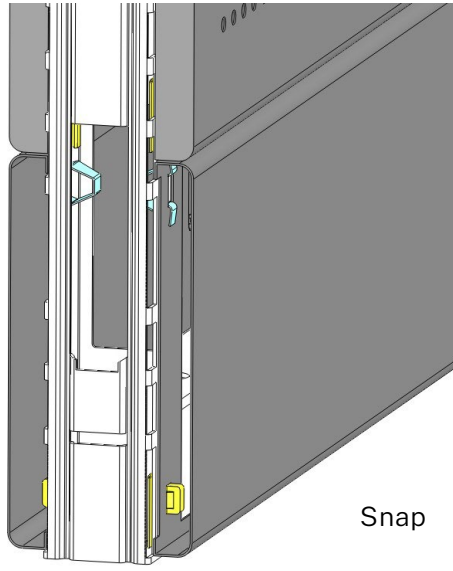
## Power Pole Installation

- 1** Clear pathway to ceiling (may include cutting hole in ceiling tile) use Ceiling Trim ring if desired.
- 2** Attach power pole to connector using supplied screws.
- 3** Feed power pole into ceiling then slide power pole connector into the panel frame connector.
- 4** Feed power entry cable through power pole and connect to belt or baseline power harness.

# TILE INSTALLATION



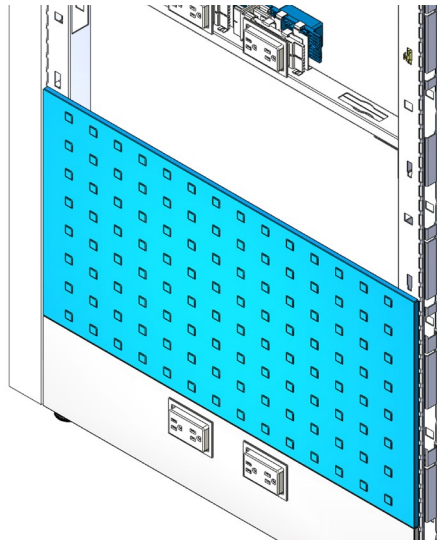
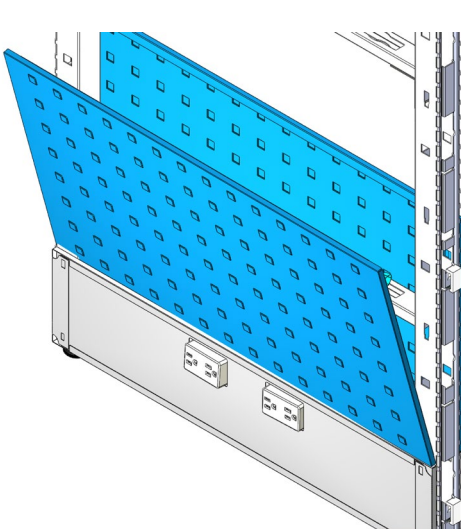
Hook



Snap

## Base Cover Installation

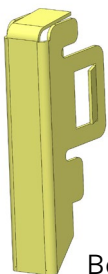
- 1** Installing base covers is done by hooking the bottom of the base cover to the panel frame, then snap into the panel.
- 2** Once installed, place any base covers or duplex trim or receptacle covers.



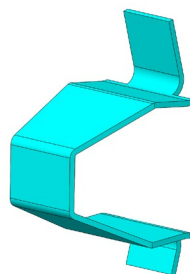
## Panel Tile Installation

- 1** Install panel tiles by hooking the bottom of the tile to the panel frame, then snap the top of the tile into the panel.

*Note: Tiles can be centered if there are any gaps or issues. Instructions can be found in our Installation Tips section.*

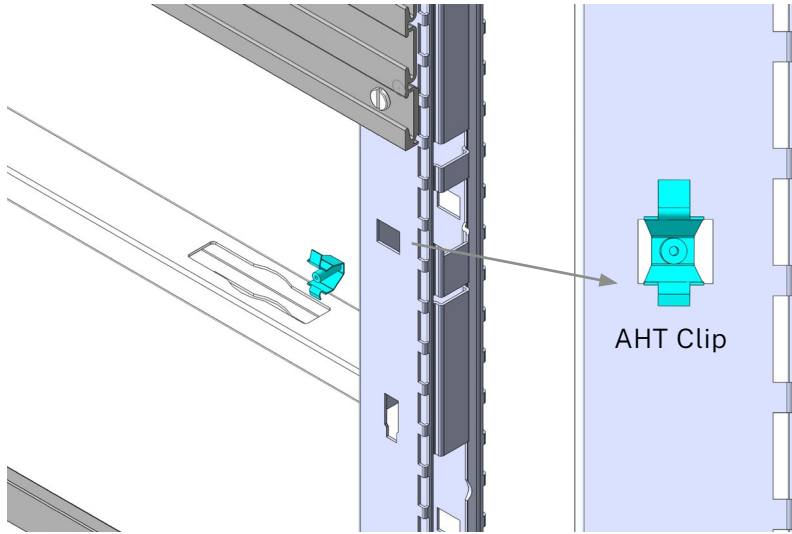


Bottom Clip (hook)



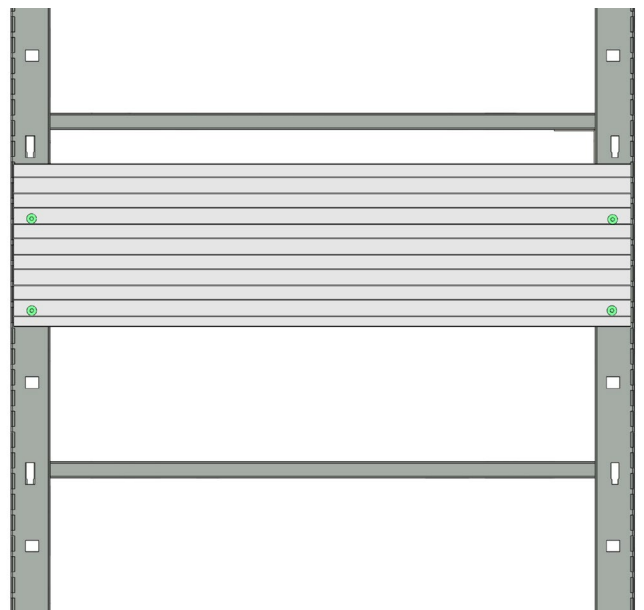
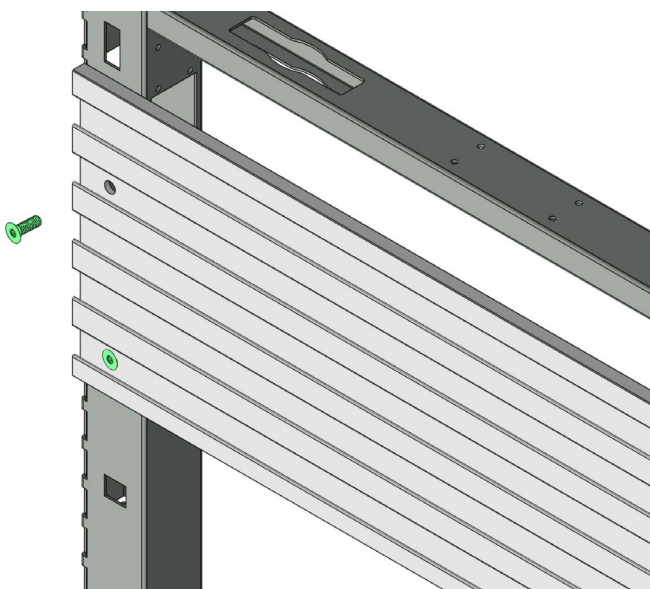
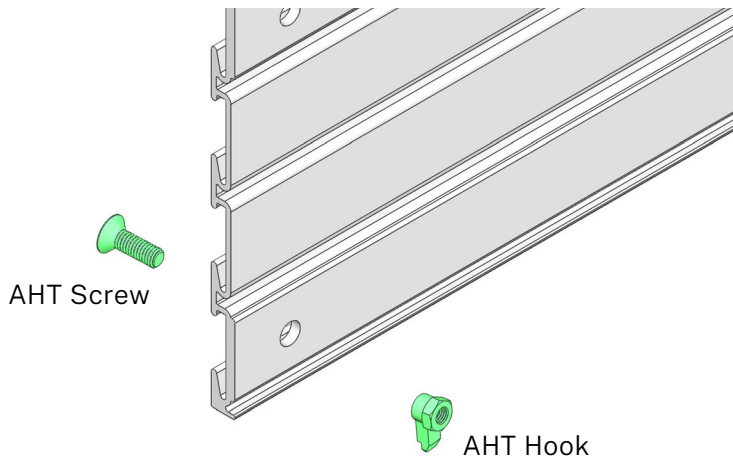
Top Clip (snap)

# TILE INSTALLATION

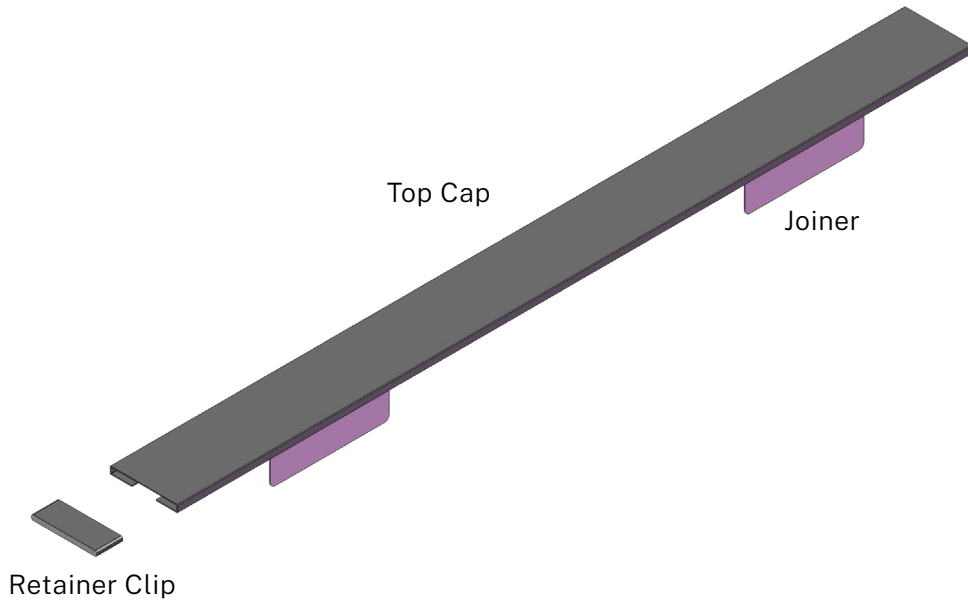


## Accessory Hanging Tile Installation

- 1** Push AHT clips into the corresponding top holes in the frame where you want the Accessory Hanging Tile to go.
- 2** Attach the AHT hook assembly to the bottom hole on the Tile.
- 3** Hook the AHT hook assembly into the holes in the frame below the AHT clips.
- 4** Once mounted, flip up the tile and use the AHT screw provided to connect the Tile to the AHT clip.



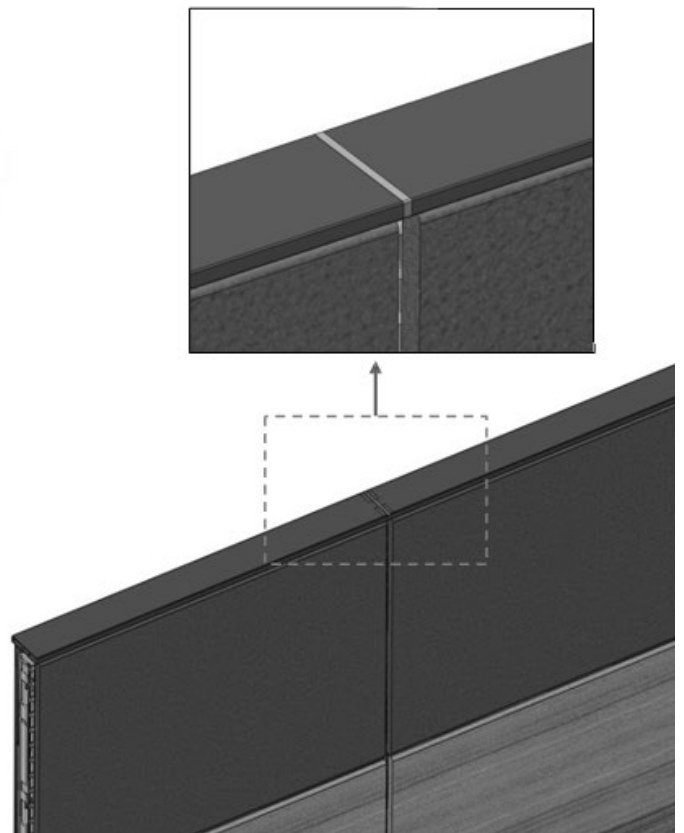
# COMPONENT INSTALLATION



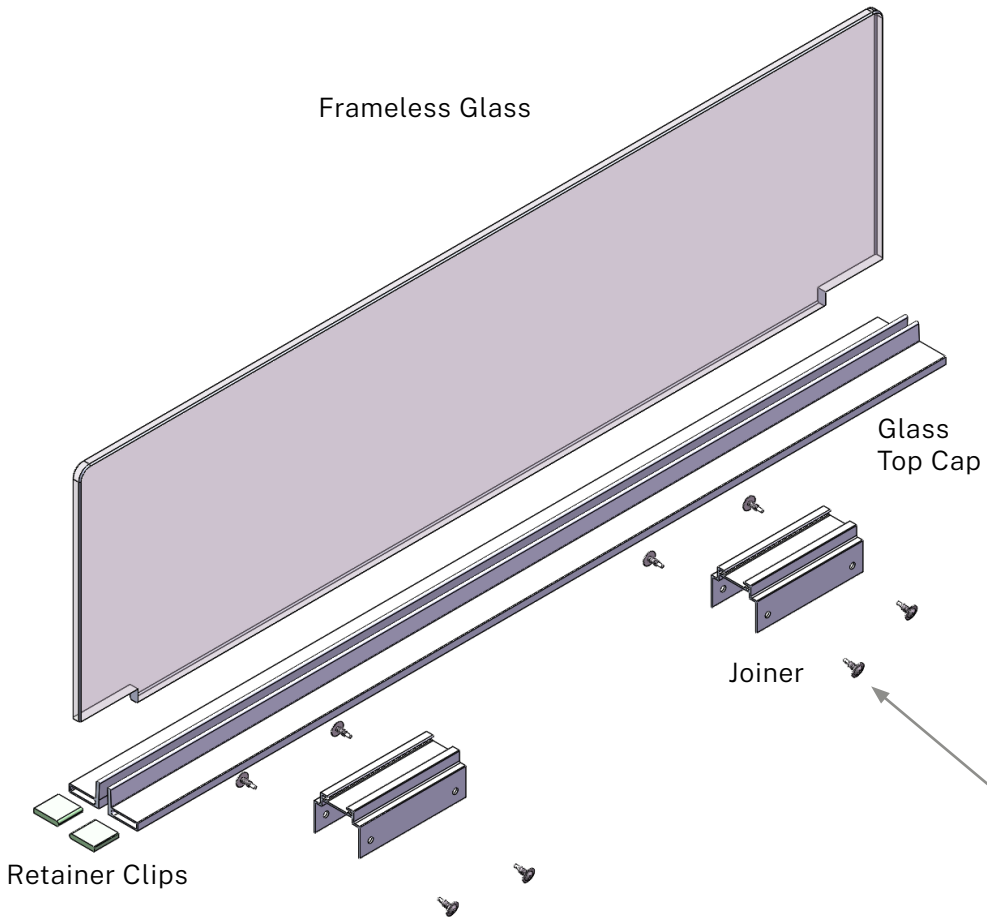
## Top Cap Assembly and Installation

- 1** Place top caps on top of the frame and push them down into place.
- 2** If you are installing multiple top caps in a straight line, use the included top cap metal connectors and slide them together before pushing them down into the frame.
- 3** Adjust the joiners as needed to make sure the top caps sit flush.

*Note: Top Caps can be adjusted if there are any gaps or issues. Instructions can be found in our Installation Tips section.*

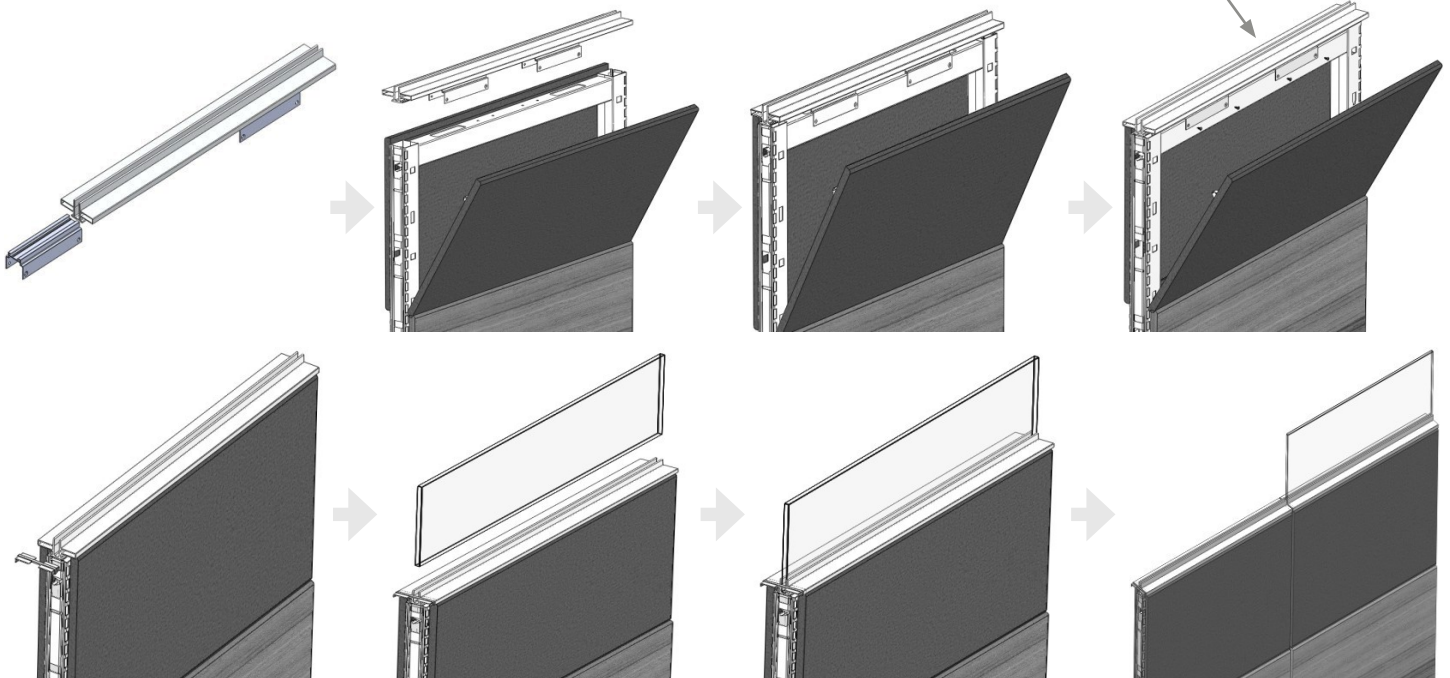


# COMPONENT INSTALLATION

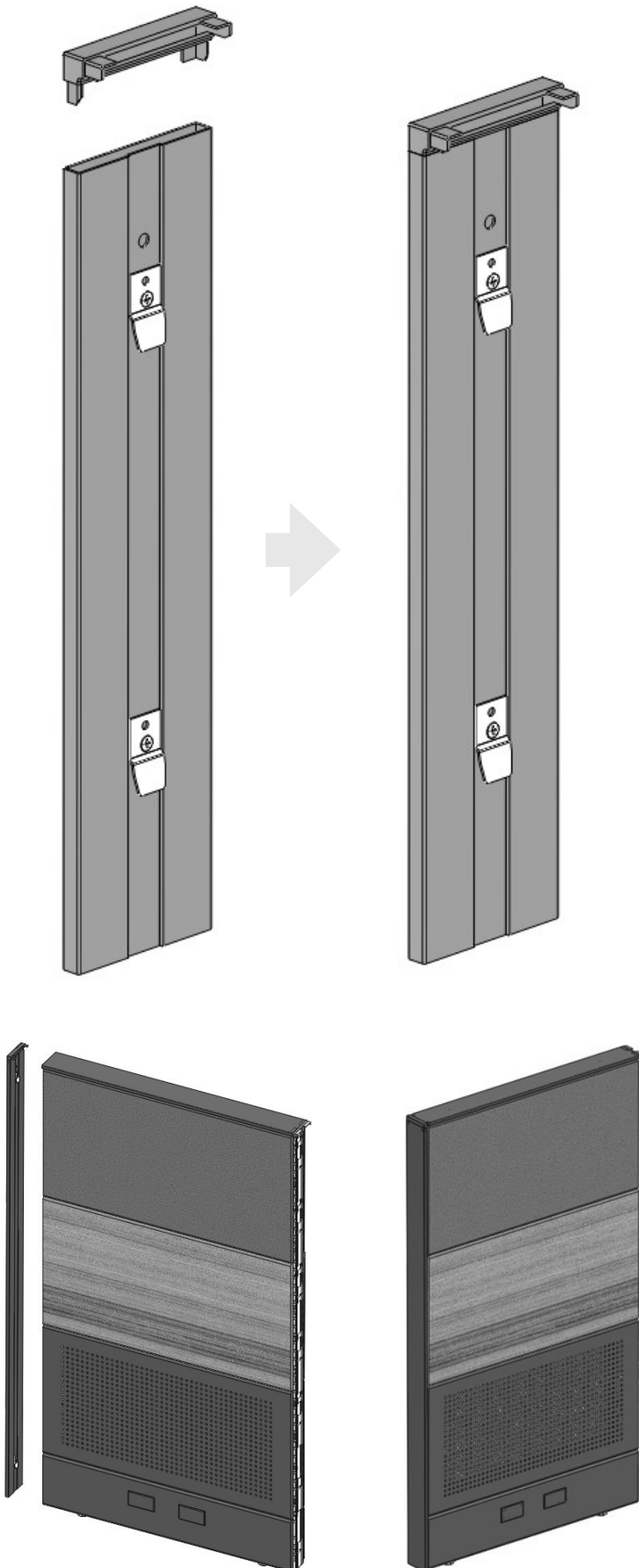


## Frameless Glass Top Cap Installation

- 1** Install the glass top cap into the top of the frame.
- 2** Remove any panels if they are in the way to access the sides of the glass top cap holder rail and secure it to the frame using the included screws.
- 3** Once secure insert the glass frame and attach any remaining end caps.



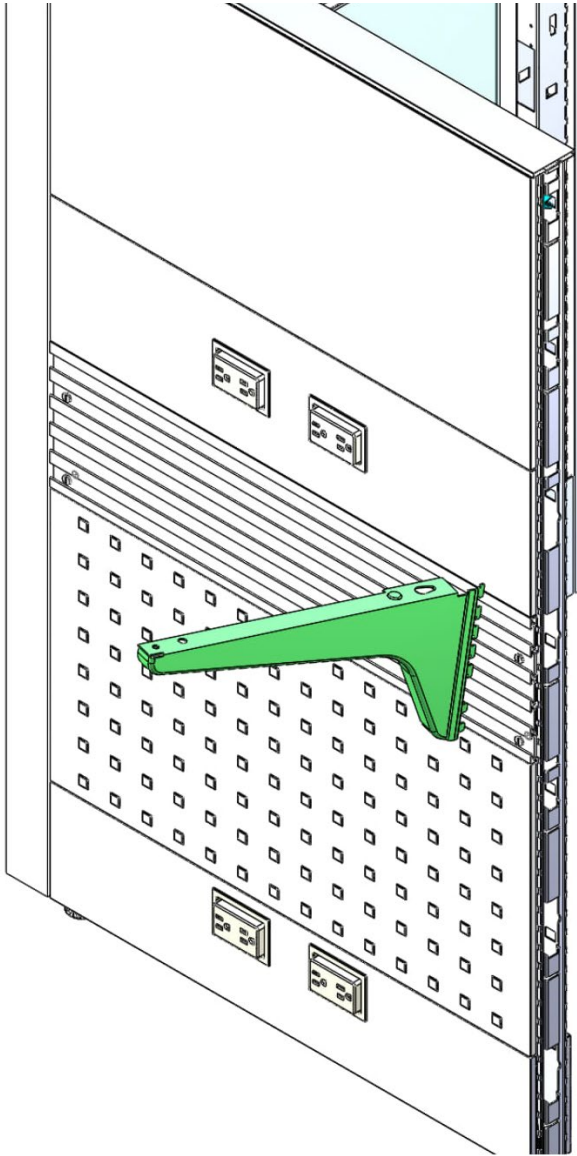
# COMPONENT INSTALLATION



## Finished End Assembly and Installation

- 1** To attach your finished end assembly, place it against the panel frame rail slightly above the final position then slide it down into place.
- 2** The top should line up with the top cap once completely installed.
- 3** If the tops do not align, repeat steps 1 and 2 and press down on the top of the finished end assembly or use a rubber mallet to better secure it.

# WORK SURFACE INSTALLATION



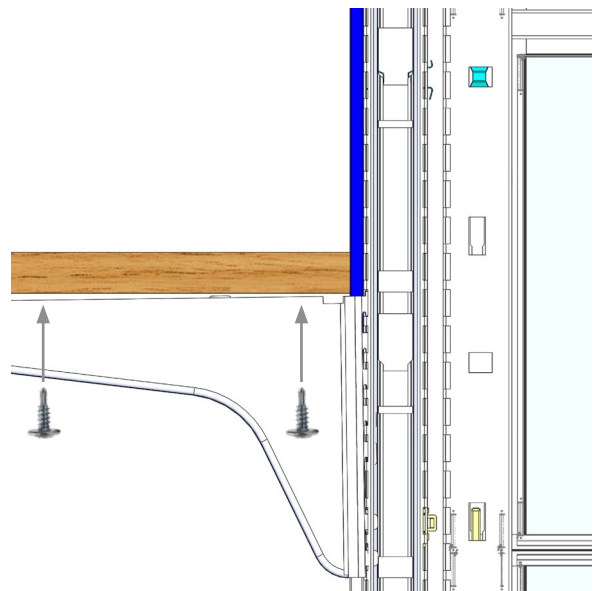
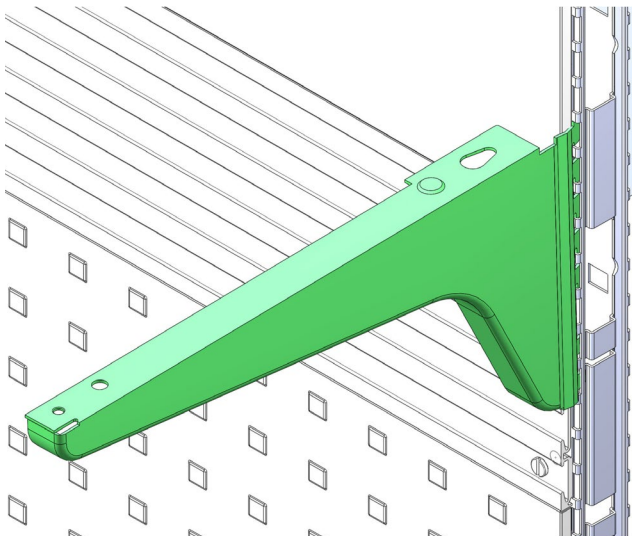
## Cantilever Installation

- 1** Angle the top hook of the cantilever into the bracket at the level you want to mount it.
- 2** Once placed, rotate the cantilever into position and align the other teeth into the bracket.
- 3** Push down on your cantilever bracket so that it sits level and secure.
- 4** Once secured place your work surface on top of your cantilevers and install the work surface screws from below.

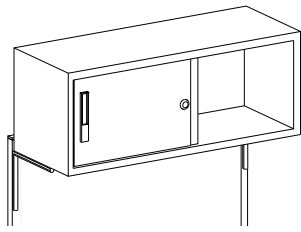
*Note: Corner brackets follow the same installation instructions as cantilevers.*

When attaching work surfaces, there should be no gap between work surface and tile.

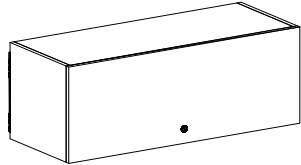
*Note: Make sure the tile behind the work surface is secure and aligned since the work surface will make it harder to remove it.*



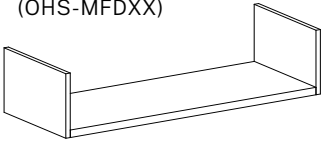
# OVERHEAD INSTALLATION



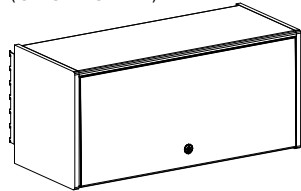
Upmount Sliding Door  
(SDCABXXUM-MD or SDCABXXUM-FD)



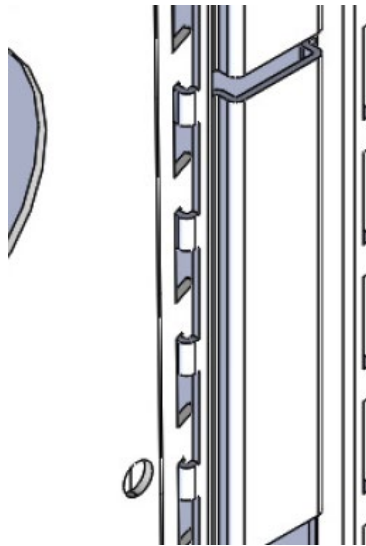
Metal Flipper Door  
(OHS-MFDXX)



Metal Storage Shelf  
(OHS-MSHXX)



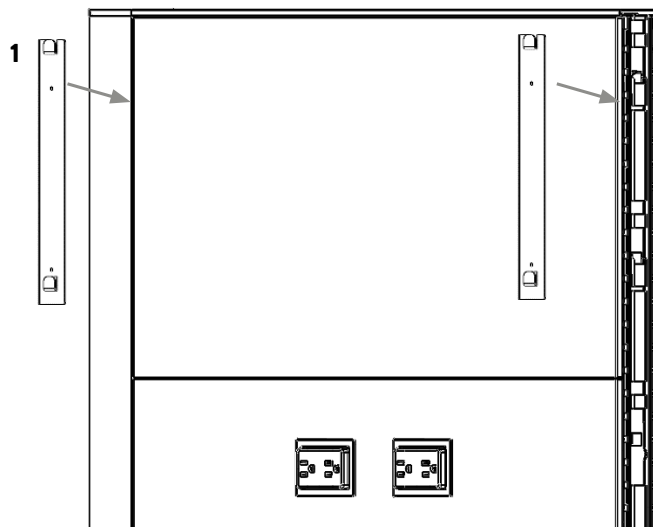
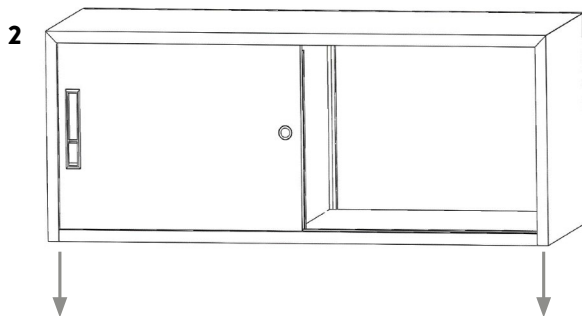
Binder Bin with Receding Door  
(65BB-XX)



Zoom in of overhead teeth aligning with panel slots.

## General Overhead Installation

- 1** Build each shelf with the individual instructions found in the shelf's packaging.
- 2** Align the overhead shelf to the desired mounting point then press the teeth into the panel railing.
- 3** Press down firmly to secure the shelf to the panel rails.

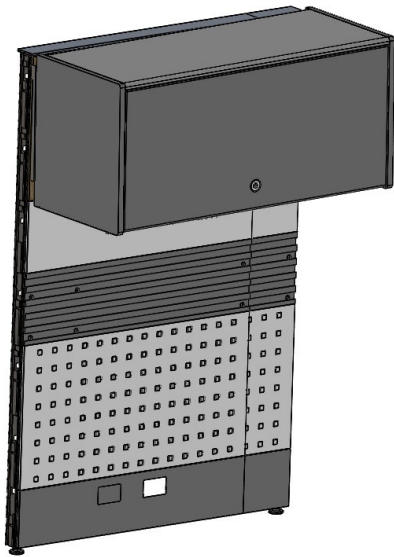


## Overhead Sliding Door Installation

(SDCABXX-MD or SDCABXX-FD)

- 1** Place the brackets for the sliding door into the panel frame rails.
- 2** Press down firmly on the brackets to secure them.
- 3** Align the sliding door overhead bin with the installed rails then mount them onto the exposed tabs.
- 4** Press down firmly to secure the overhead bin then screw the bin into the bracket.

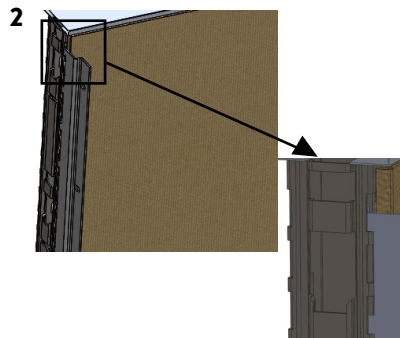
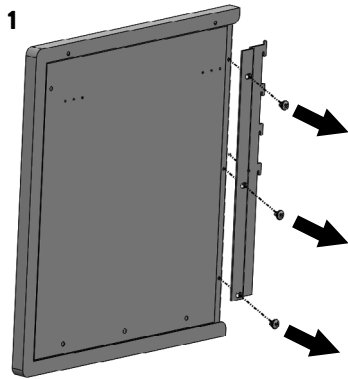
# OVERHEAD INSTALLATION



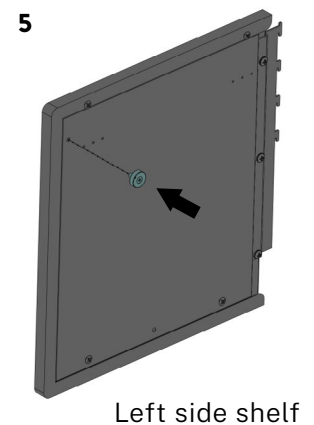
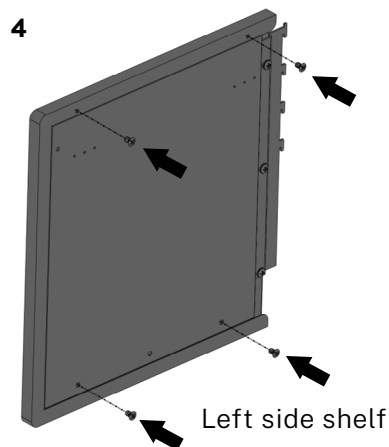
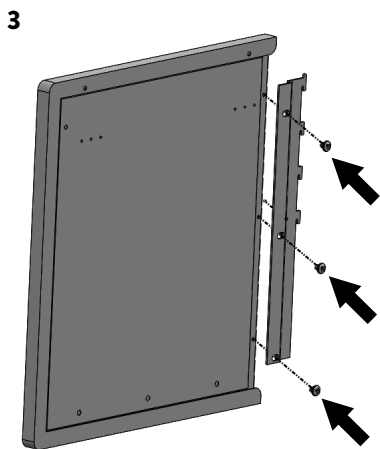
## Binder Bin w/ Receding Door Installation

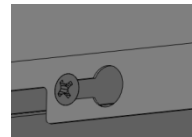
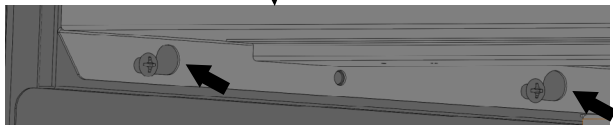
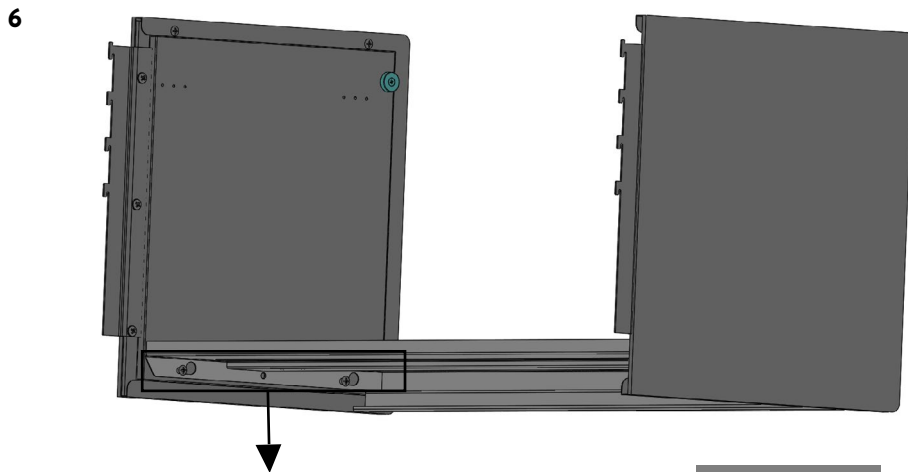
(65BB-XX)

- 1** Disassemble the cantilever brackets by removing (3) M6-1.0x6mm screws on the left and right shelf ends. Set these screws aside for later use.
- 2** Angle the top 2 way hook of the cantilever and slide them into the frame.
- 3** Assemble the shelf ends to the cantilever brackets on the frame using (3) M6-1.0x 6mm screws.
- 4** Insert (4) M6-1.0x10mm long Philip head screws on the left and the right shelf-ends. Just insert 1/3rd of the screw length, these screws will be tightened in later steps.
- 5** Assemble the glide wheel on the left and the right shelf-ends.

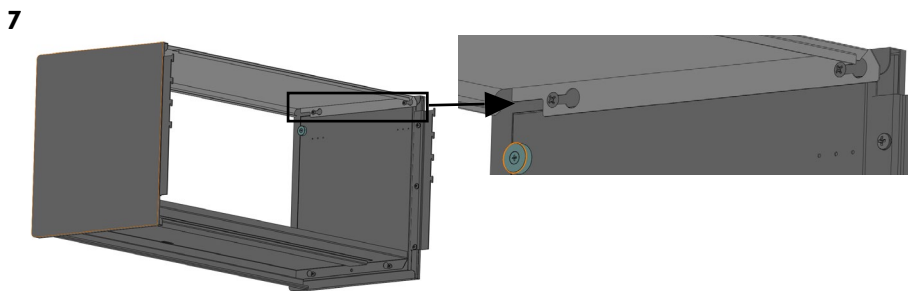


*Note:*  
1. Make sure the Left and the Right side brackets are assembled at the same height.  
2. If there is difficulty fitting the cantilevers, remove the tiles first, slide-in the cantilevers and assemble back the tile.

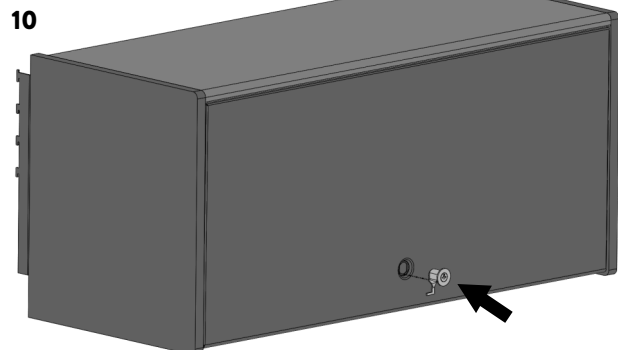
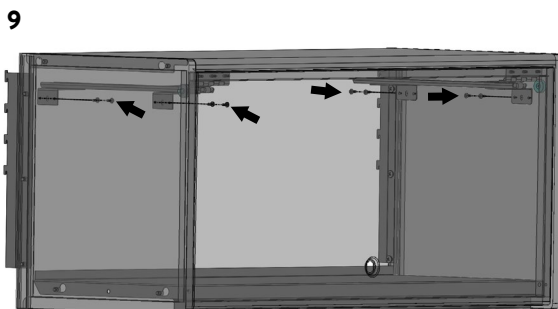
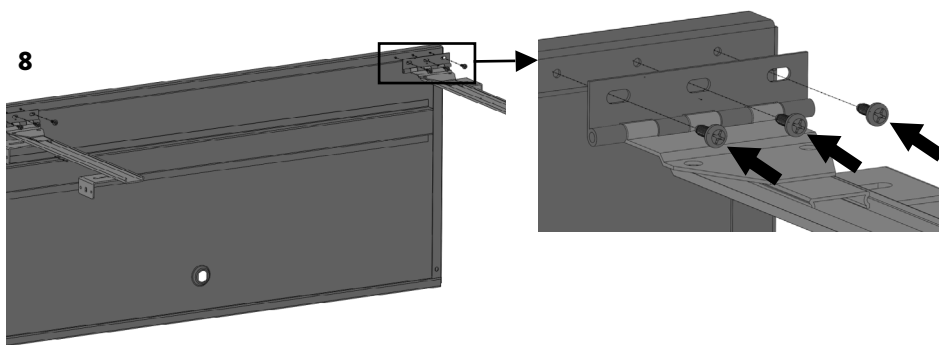




Screw in proper position



Note:  
1. When tightening the screws, make sure the top-shelf and the top of the shelf ends are horizontal

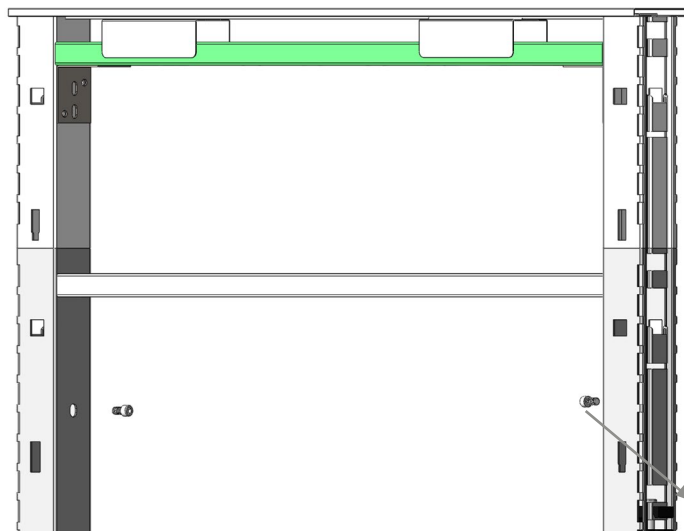
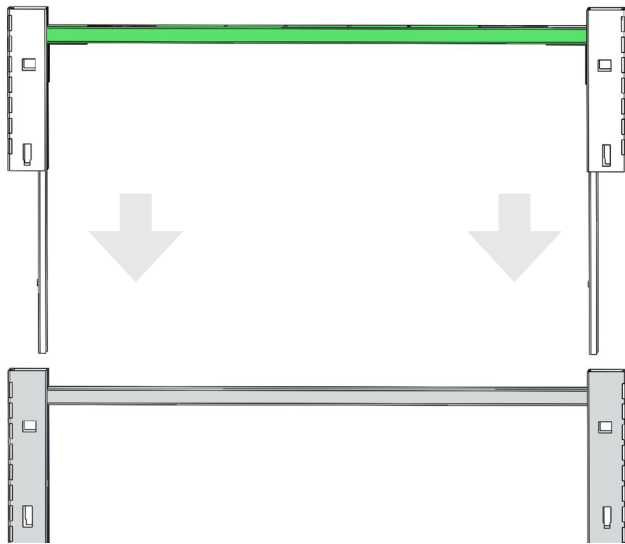
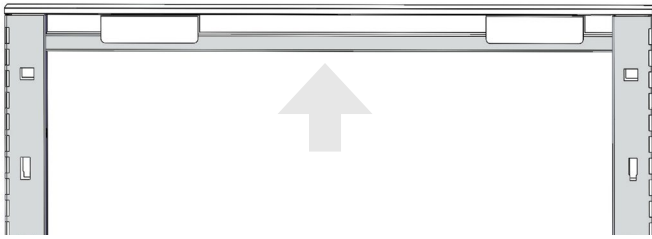


## Binder Bin w/ Receding Door Installation cont.

(65BB-XX)

- 6 Place the bottom shelf between the left and the right shelf-ends aligning the screws in the keyhole. Slide the bottom shelf forward onto the M6-1.0x 10mm screws and tighten them on either ends.
- 7 Place the top shelf between the left and the right shelf-ends, aligning the screws in the keyhole. Slide in the top shelf onto M6-1.0x 10mm screws and tighten them on either ends.
- 8 Use M4-1.75x 10mm long screws to install the left and the right sliders on the binder door.
- 9 Align the holes on the slider with the pre-drilled holes on the shelf ends. Using (4) M4- 1.75x 10mm screws per slider, assemble the sliders to the shelf ends.
- 10 Insert the lock-set into the lock hole on the binder door and put the hexagon nut on the other side of the door, and tighten the lock.

# FIELD INSTALLATION



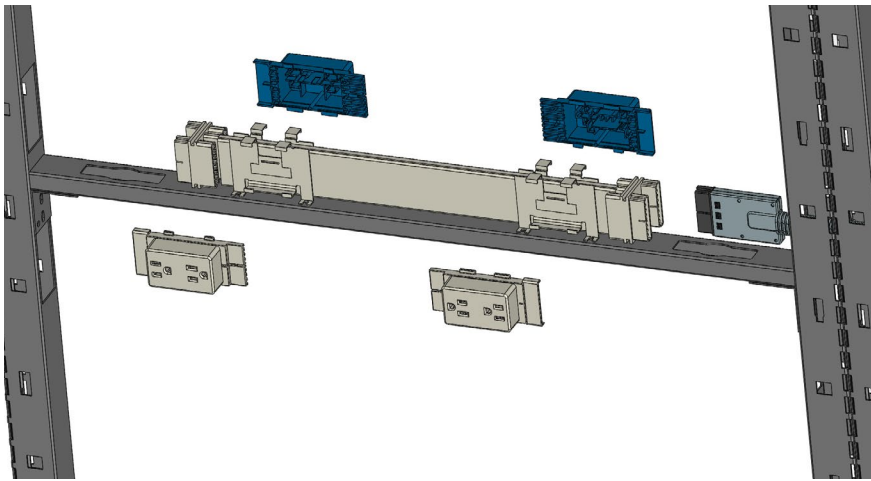
Screw #6

## Bayonet Stack-On Unit Field Installation

- 1** Remove the top cap from the frame you want to install the bayonet stack on.
- 2** Insert the bayonet stacks into the frame with the extended panel slides facing inside the current frame.
- 3** Secure with two screws then double check to make sure the bayonet stacks are secure and place the top cap on the new bayonet stacks.

*Note: When adding stackers to panel frames, the A and C-Clips must be redistributed along the taller panel frame (C-Clips to the top, A-Clips evenly distributed along frame edge).*

# FIELD INSTALLATION



## Field Electrical Installation With Power Harness

- 1** Install your power harness by screwing it in to the top of the alignment bar you would like to add power to
- 2** Mount any duplexes onto the powerstrip by snapping them into place.
- 3** Attach any new festoons to the wiring harnesses throughout the system
- 4** Once everything is connected, connect the festoon to the power entry kit to test the power.

### Sample Festoon



Festoons are available in (3) versions: 18.5", 21.5" and Base line to Beltline.

65P-PTP	18.5" Festoon
65P-PTC	21.5" Festoon
65P-BL-ML	Base Line to Beltline festoon

## INSTALLATION TIPS

### Leveling Work Surfaces

- Confirm Frames are level.  
Adjust frames and glides as needed to achieve this.
- Adjust the Set screw provided with the Work Surface
- Make sure the Work Surface is against the Panel it is being installed to. There should be no gap between the work surface and the wall.

### Vertically Align Tiles

- A flat head screwdriver or 5-in-1 multitool can be used to make sure all tiles are in alignment by pressing against the vertical edge of the tile along the channel slot.  
\*Make sure the tools are clean before adjustment.
- When adjusting, try to adjust from the base to the top similar to how you install them.

### Replacing Tile Clips

- Choose the relevant plier, and pinch the clip as shown below.  
Use the Pliers with the smaller hole for the Bottom clips.  
Use the Pliers with the larger hole for the Top clips.

### Loose Top Clips

- You can use the Small Evo 2.5 pliers to pinch it and recreate the correct shape, as shown below:



### Straightening Top Caps and Finished Ends

- Many of these parts have flexibility in how it can be installed. If their alignment is off, lightly adjust it into alignment.

# PARTS & TOOLS INDEX

## Screws



**Screw #2**  
Phillips Countersunk Pan Head Self Tapping Screw  
Screws for beltline  
Pre-assembled on frames



**Screw #3**  
Phillips Countersunk Flat Head Self Tapping Screw  
Screws for side rail covers  
One pair of side rail covers needs (8) screws.



**Screw #4**  
Phillips Self-Drilling Screw  
Screws for retainers of frameless glass channel  
One pair of retainers of frameless glass channel needs (8) screws



**Screw #6**  
Hex Socket Head Cap Screw  
Screws for frame bayonet stack-on assembly  
One pair of frame bayonet stack-on assembly needs (2) screws

## Clips



Panel A-Clip



Panel C-Clip



Bottom Tile Hook Clip



Top Tile Snap Clip

## Included Tools

The below tools are included with Sixty-Five System orders over \$10,000 net



Small Pliers



Large Pliers



Bent Needle Nose Pliers



Glide Wrench

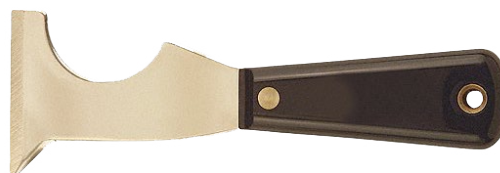


5mm  
Allen Wrench

## Recommended Tools



Flat Head Screw Driver



5 in 1 Tool