

FREESTANDING SCREENS

SPECIFICATION GUIDE

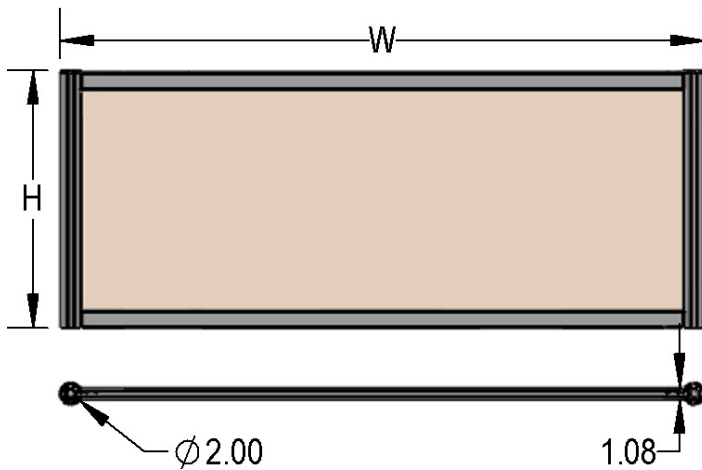


TABLE OF CONTENTS

- Screen Dimensions.....3
- Add-On Screen Dimensions4
- Base Feet Options.....5
- Base Feet Rules6
- FS-VPC-3 Connector.....7
- FS-INSERT.....7
- Panel Finishes.....8
- Configuration Examples.....9



SCREEN DIMENSIONS

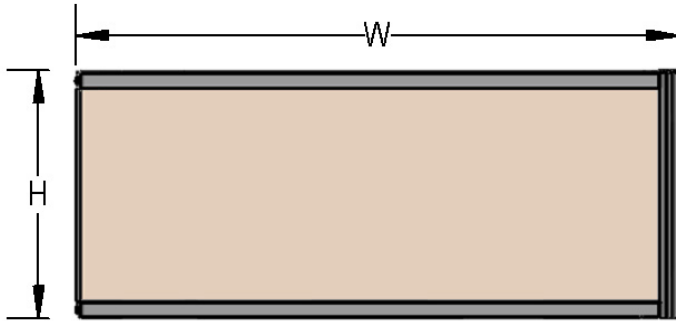


Note: Standard screens includes (2) vertical posts.

SKU	HEIGHT (IN)	WIDTH (IN)
FS-1424-S	13.91	24
FS-1430-S	13.91	30
FS-1436-S	13.91	36
FS-1448-S	13.91	48
FS-1460-D2	13.91	60
FS-1472-D2	13.91	72
FS-1824-S	17.91	24
FS-1830-S	17.91	30
FS-1836-S	17.91	36
FS-1848-S	17.91	48
FS-1860-D2	17.91	60
FS-1872-D2	17.91	72
FS-2424-S	23.91	24
FS-2430-S	23.91	30
FS-2436-S	23.91	36
FS-2448-S	23.91	48
FS-2460-D2	23.91	60
FS-2472-D2	23.91	72
FS-5324-S	51.86	24
FS-5330-S	51.86	30
FS-5336-S	51.86	36
FS-5348-S/FS-5348-D2/ FS-5348-D2W/FS-5348-T2	51.86	48
FS-5360-D2/FS-5360-D2W/ FS-5360-T2	51.86	60
FS-5372-D2/FS-5372-D2W/ FS-5372-T2	51.86	72
FS-6724-S	65.86	24
FS-6730-S	65.86	30
FS-6736-S	65.86	36

SKU	HEIGHT (IN)	WIDTH (IN)
FS-6748-S/FS-6748-D3/ FS-6748-D3W/FS-6748-T3	65.86	48
FS-6760-D3/FS-6760- D3W/FS-6760-T3	65.86	60
FS-6772-D3/FS-6772- D3W/FS-6772-T3	65.86	72
FS-7824-S	76.86	24
FS-7830-S	76.86	30
FS-7836-S	76.86	36
FS-7848-S/FS-7848-D3/ FS-7848-D3W/FS-7848-T3	76.86	48
FS-7860-D3/FS-7860- D3W/FS-7860-T3	76.86	60
FS-7872-D3/FS-7872-D3W/ FS-7872-T3	76.86	72

ADD-ON SCREEN DIMENSIONS

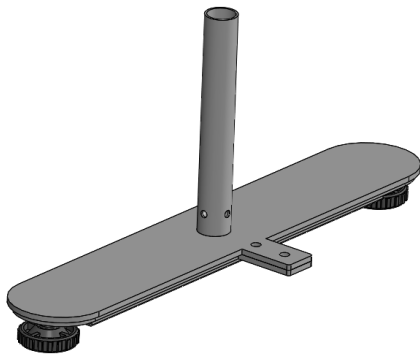


Note: Add-on screens includes (1) vertical post.

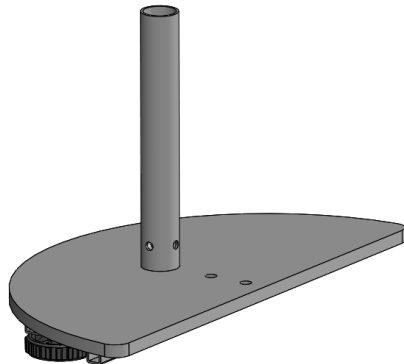
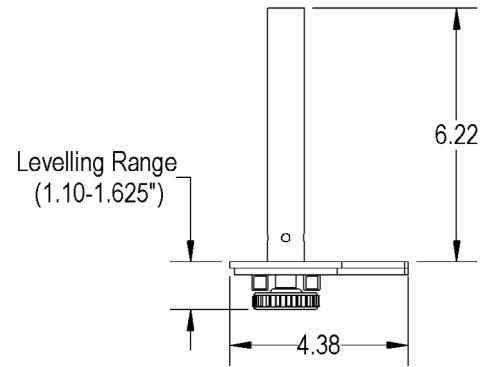
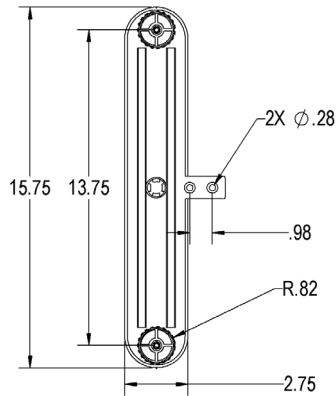
SKU	HEIGHT (IN)	WIDTH (IN)
FS-1424-S-A	13.91	22.50
FS-1430-S-A	13.91	28.50
FS-1436-S-A	13.91	34.50
FS-1448-S-A	13.91	46.50
FS-1460-D2-A	13.91	58.50
FS-1472-D2-A	13.91	70.50
FS-1824-S-A	17.91	22.50
FS-1830-S-A	17.91	28.50
FS-1836-S-A	17.91	34.50
FS-1848-S-A	17.91	46.50
FS-1860-D2-A	17.91	58.50
FS-1872-D2-A	17.91	70.50
FS-2424-S-A	23.91	22.50
FS-2430-S-A	23.91	28.50
FS-2436-S-A	23.91	34.50
FS-2448-S-A	23.91	46.50
FS-2460-D2-A	23.91	58.50
FS-2472-D2-A	23.91	70.50
FS-5324-S-A	51.86	22.50
FS-5330-S-A	51.86	28.50
FS-5336-S-A	51.86	34.50
FS-5348-S-A/FS-5348-D2-A/FS-5348-D2W-A/FS-5348-T2-A	51.86	46.50
FS-5360-D2-A/FS-5360-D2W-A/FS-5360-T2-A	51.86	58.50
FS-5372-D2-A/FS-5372-D2W-A/FS-5372-T2-A	51.86	70.50
FS-6724-S-A	65.86	22.50
FS-6730-S-A	65.86	28.50
FS-6736-S-A	65.86	34.50

SKU	HEIGHT (IN)	WIDTH (IN)
FS-6748-S-A/FS-6748-D3-A/FS-6748-D3W-A/FS-6748-T3-A	65.86	46.50
FS-6760-D3-A/FS-6760-D3W-A/FS-6760-T3-A	65.86	58.50
FS-6772-D3-A/FS-6772-D3W-A/FS-6772-T3-A	65.86	70.50
FS-7824-S-A	76.86	22.50
FS-7830-S-A	76.86	28.50
FS-7836-S-A	76.86	34.50
FS-7848-S-A/FS-7848-D3-A/FS-7848-D3W-A/FS-7848-T3-A	76.86	46.50
FS-7860-D3-A/FS-7860-D3W-A/FS-7860-T3-A	76.86	58.50
FS-7872-D3-A/FS-7872-D3W-A/FS-7872-T3-A	76.86	70.50

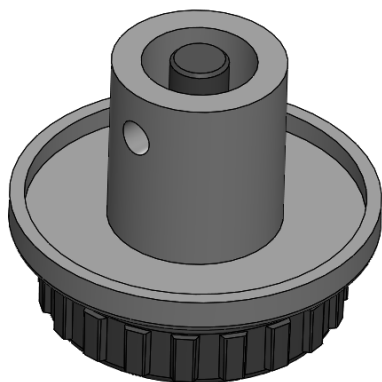
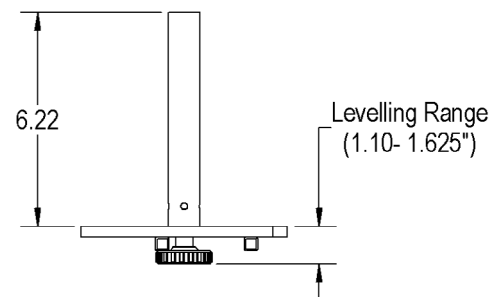
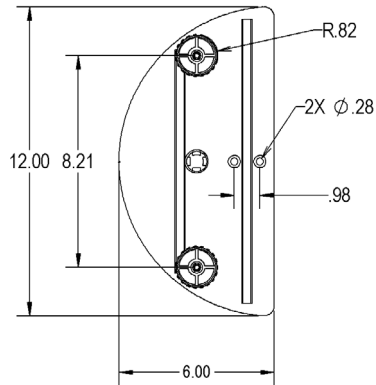
BASE FEET OPTIONS



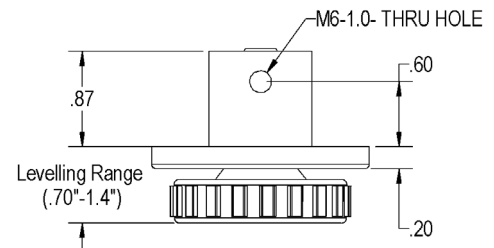
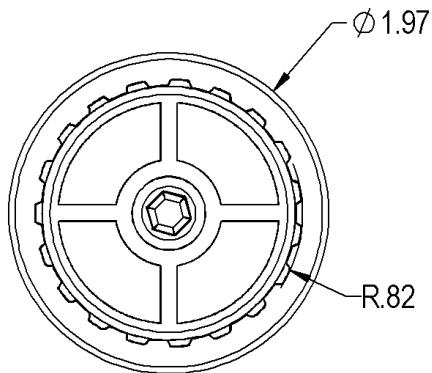
FS-BASE
Leveling range: 1.10"-1.625"



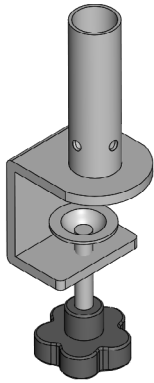
FS-BASE-HALF
Leveling range: 1.10"-1.625"



FS-BG-KIT
Leveling range: 0.70"-1.4"

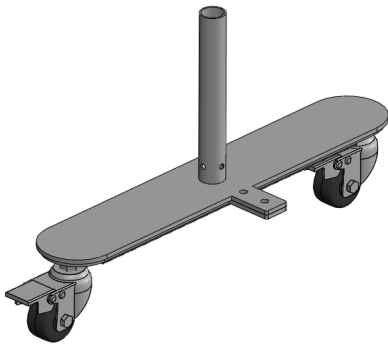
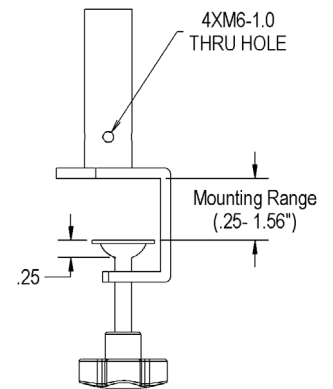
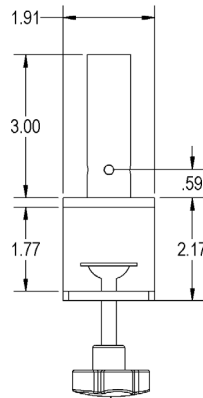


BASE FEET OPTIONS

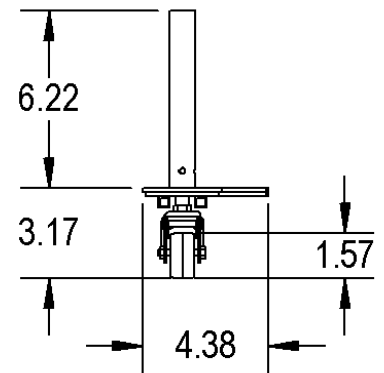
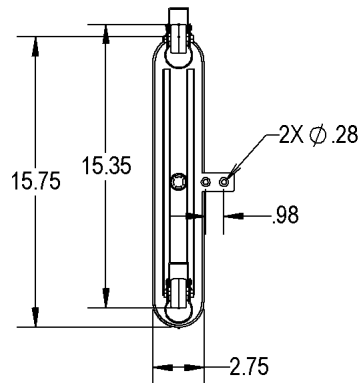


FS-CLAMP

Clamp range: 0.25"-1.56"

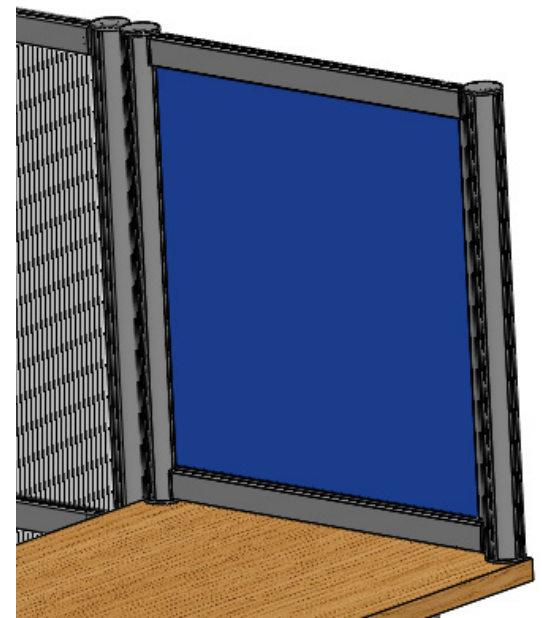


FS-BASE-CASTER



BASE FEET RULES

1. The FS-CLAMPs should be used on the desk screens and; FS-BASE, FS-BASE-HALF, FS-BASE-CASTER, FS-BG-KIT should be used on the Freestanding screens.
2. The FS-BASE-CASTER cannot be used with FS-BG-KIT, FS-BASE and FS-BASE-HALF.
3. If a single freestanding screen is used, FS-BASE, FS-BASE-CASTER or FS-BASE-HALF should be used as a base for better stability. FS-BG-KIT cannot be used in this case.
4. If the desk screen is connected with the freestanding screen, if you don't want to assemble the desk screens to the work surface, then the top caps should be used underneath the columns to avoid scratches on the work surface.



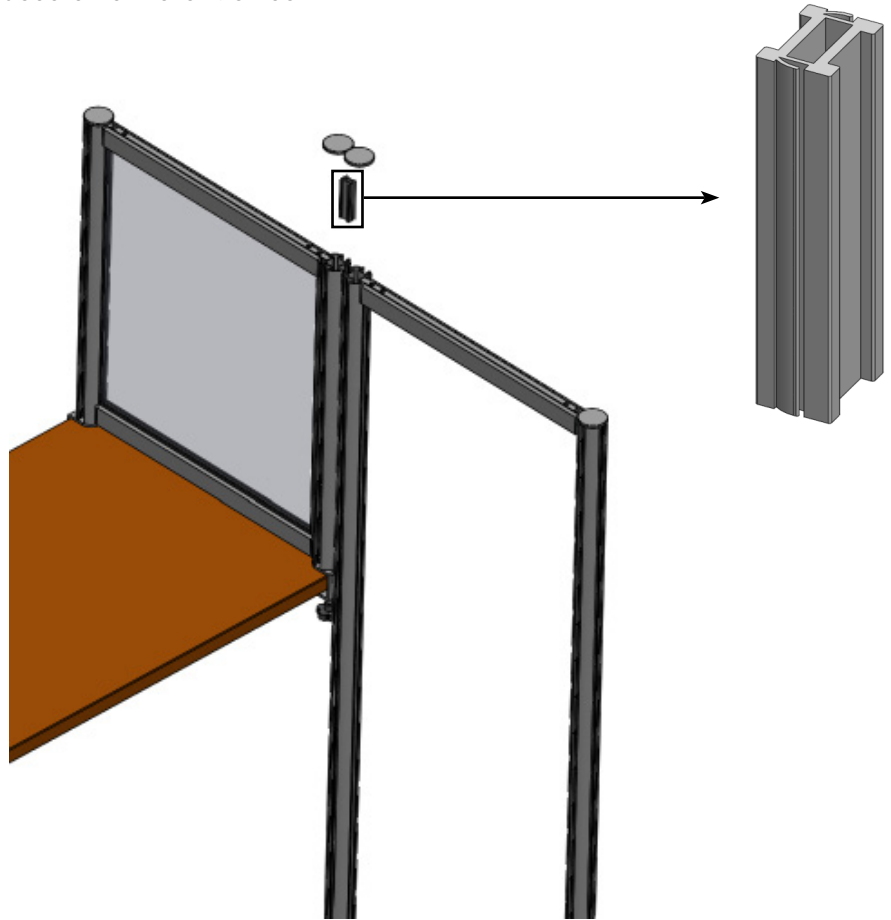
FS-VCP-3 CONNECTOR

The FS-VPC-3 (Vertical Post Connector) is used to connect 2 Freestanding screens. (1) FS-VPC-3 is a set of (2) 3" pieces.

Below table shows FS-VPC-3 quantities used on different sizes:

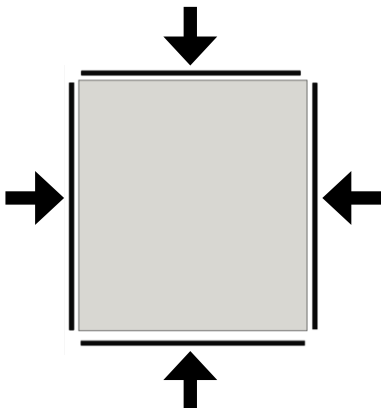
SCREEN HEIGHT (IN)	FS-VPC-3 QTY
14-53"	1
67-78"	2

Note: Not required for add-on screens.



FS-INSERT

The FS-INSERT helps the screen secure between the dividers. These inserts are to be used only with the 6mm thick screens.



PANEL FINISHES

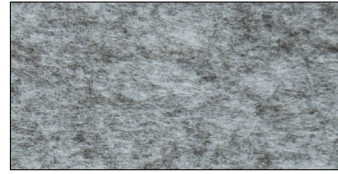
PET Board



BLUE
12mm thick



BLACK
12mm thick



GRAY
12mm thick



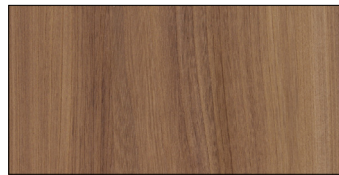
ORANGE
12mm thick

Laminate Board

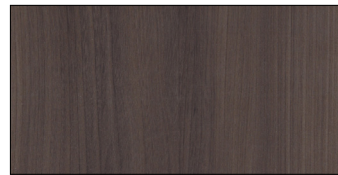
Note: Laminate is not available in 12" or 60" wide tiles.



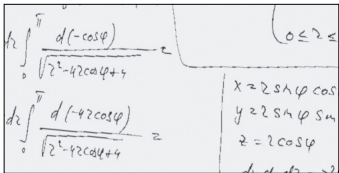
CAMPANIA ELME
6mm thick



TUSCANI ELME
6mm thick

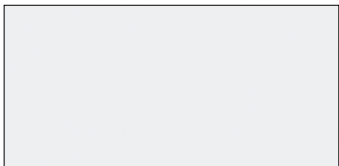


UMBER ELME
6mm thick

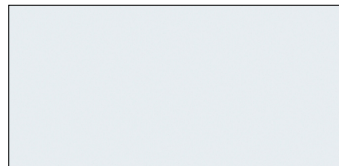


MARKER BOARD
12mm thick

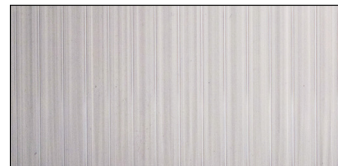
Acrylic



CLEAR
6mm thick

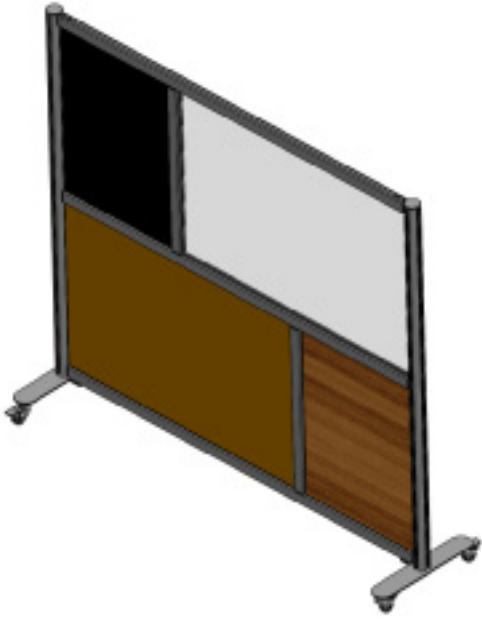


FROSTED
6mm thick

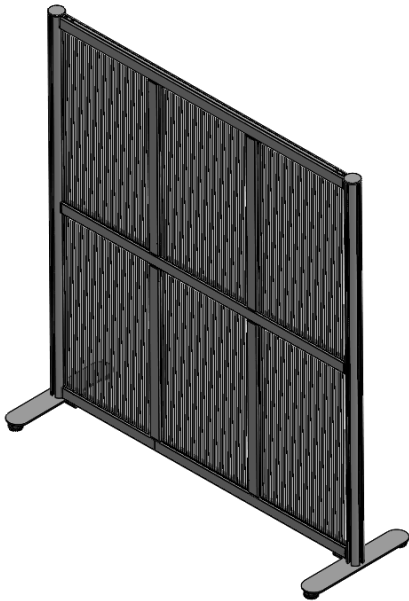


FLUTED
12mm thick

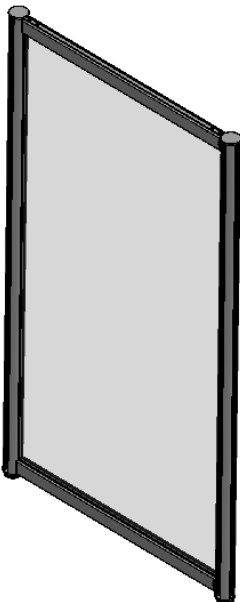
CONFIGURATION EXAMPLES



SKU	QTY
FS-5360-D2W	1
FS-BASE-CASTER	2

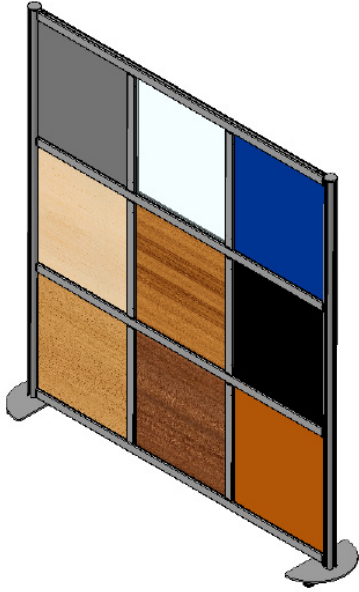


SKU	QTY
FS-5372-T2	1
FS-BASE	2

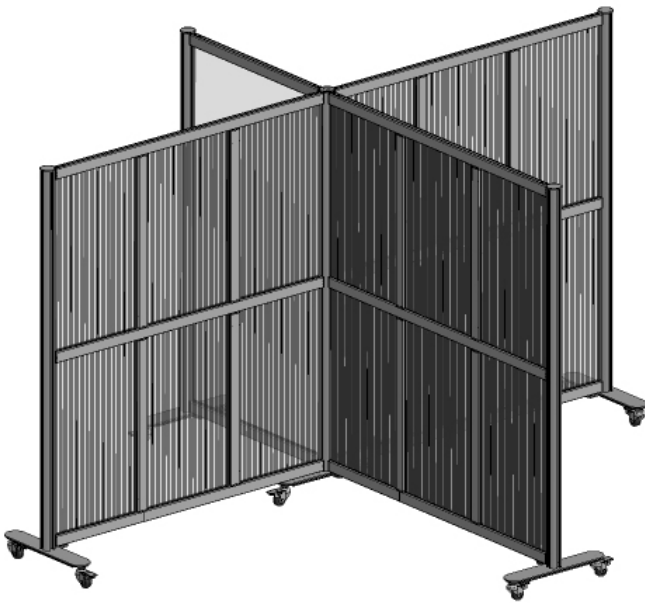


SKU	QTY
FS-6736-S	1
FS-BG-KIT	2

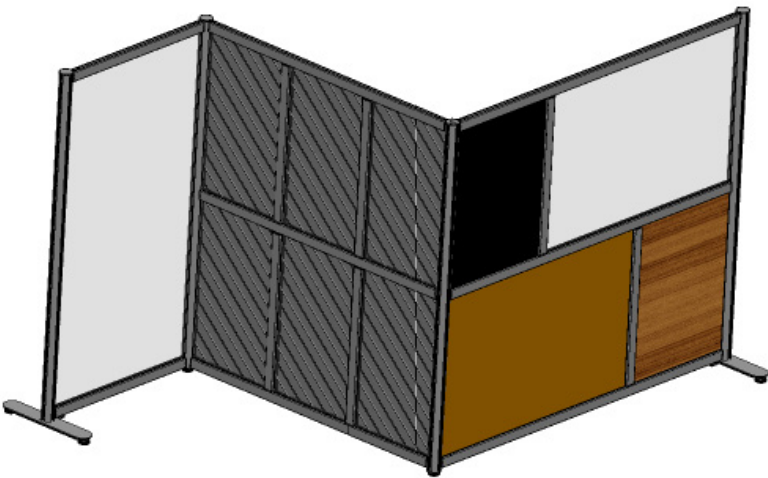
CONFIGURATION EXAMPLES



SKU	QTY
FS-7860-T3	1
FS-BASE-HALF	2

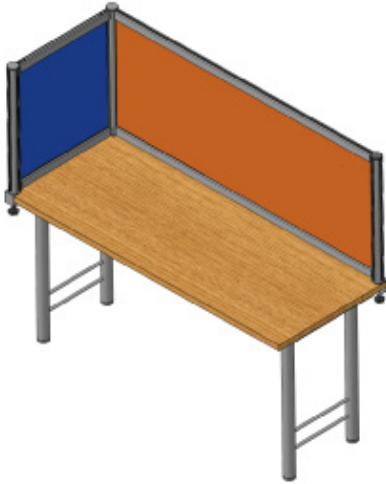


SKU	QTY
FS-5336-S	1
FS-5360-T2-A	3
FS-BASE-CASTER	5



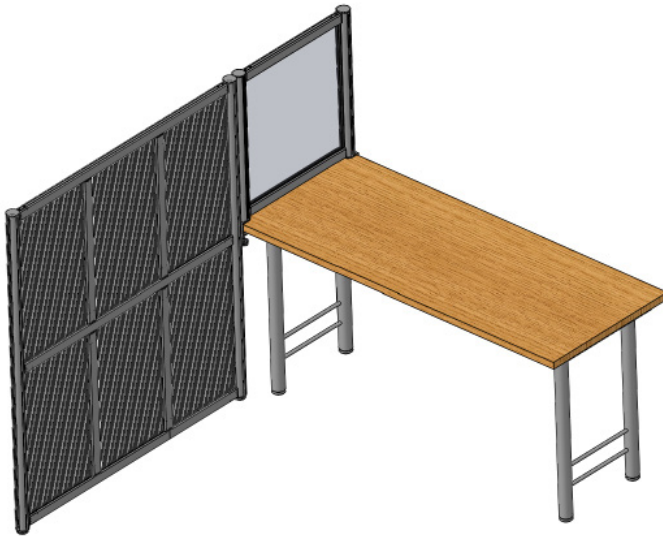
SKU	QTY
FS-5336-S	1
FS-5360-T2-A	1
FS-5360-D2W	1
FS-BASE	3
FS-BG-KIT	1

CONFIGURATION EXAMPLES



SKU	QTY
FS-2448-S	1
FS-2424-S-A	1
FS-CLAMP	3
WS2448	1
H-LEG	2

Note: In this example, the return add-on screen (FS-2424-S-A) works only with a spine screen (FS-2448-S) as shown. If a full screen is used in place of the add-on screen, it will overhang the work surface.



SKU	QTY
FS-2424-S	1
FS-5360-T2	1
FS-CLAMP	2
FS-BG-KIT	2
FS-VPC-3	1
WS2448	1
H-LEG	2

Note: In this example, the desk screen (FS-2424-S) must be a full screen or it will not reach the back of the work surface.